

STEPUP SHORING SYSTEM CATALOG



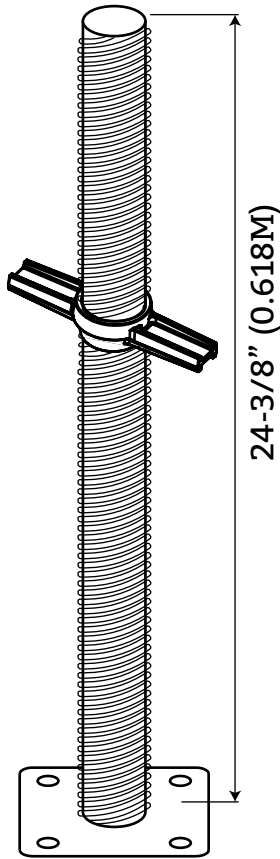
STEPUP

SHORING SCAFFOLD

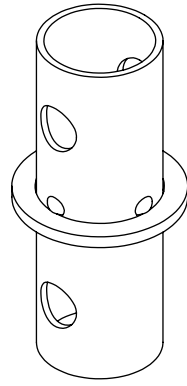
BASES & SHORING PINS.....	3
SHORING FRAMES & POST SHORES	4
ANGULAR CROSS BRACES.....	5
POST SHORES	6
SIDEWALK BRIDGE LEG	7
SIDEWALK BRIDGE GIRTS & BRACE.....	8
PANEL BRACKETS	9
CLAMPS.....	10

BASES & SHORING PINS

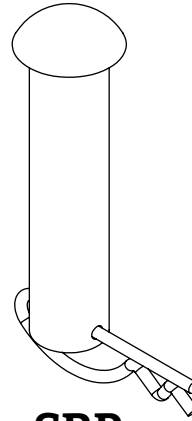
STEPUP - SHORING



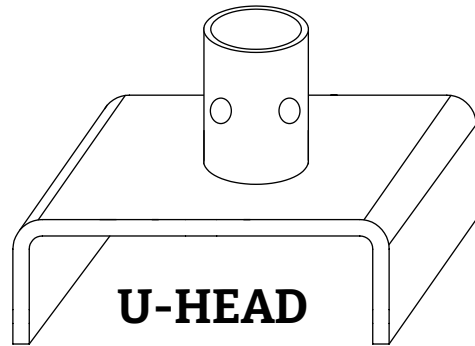
SJ1P-S



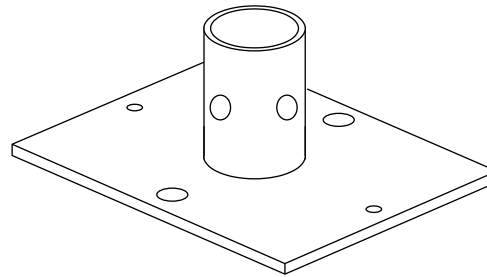
SCP



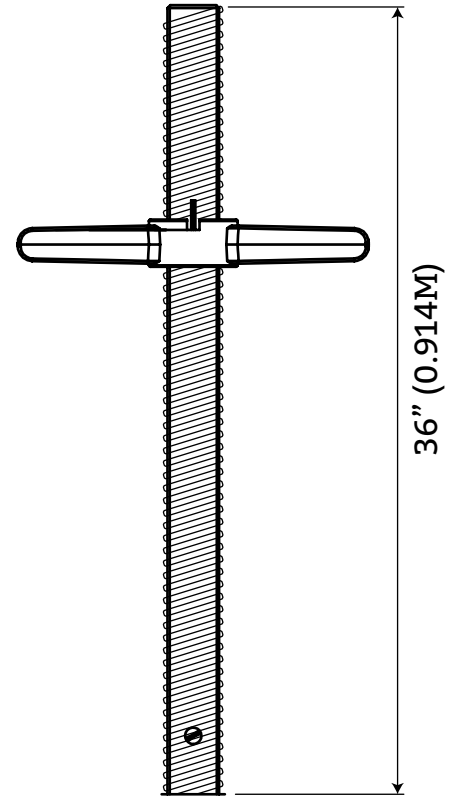
SRP



U-HEAD



BP-S



SJ1S-S1

Item Number	Description	Weight	
		Lbs	Kg
SCP	Shoring Coupling Pin	1.0	0.5
SRP	Shoring Rivet Pin with Hitch Pin	0.5	0.2
U-HEAD	Shoring "U" Head	12.9	5.8
U-HEAD-N	"U" Head 4"x8" for Pipe Frame	5.0	2.7
BP-S	Shoring Base Plate	7.6	3.4
SJ1S-S1	Shoring Hollow Screw Jack	14.0	6.4
SJ1P-S	Shoring Jack with Base Plate	13.7	6.2
SJ1U-S	Hollow Screw Jack for Shoring Frame with U-HEAD	23.8	10.8

Atlanta: 770.577.4222
Houston: 713.678.8877

Updated February 2024

www.stepupscaffold.com

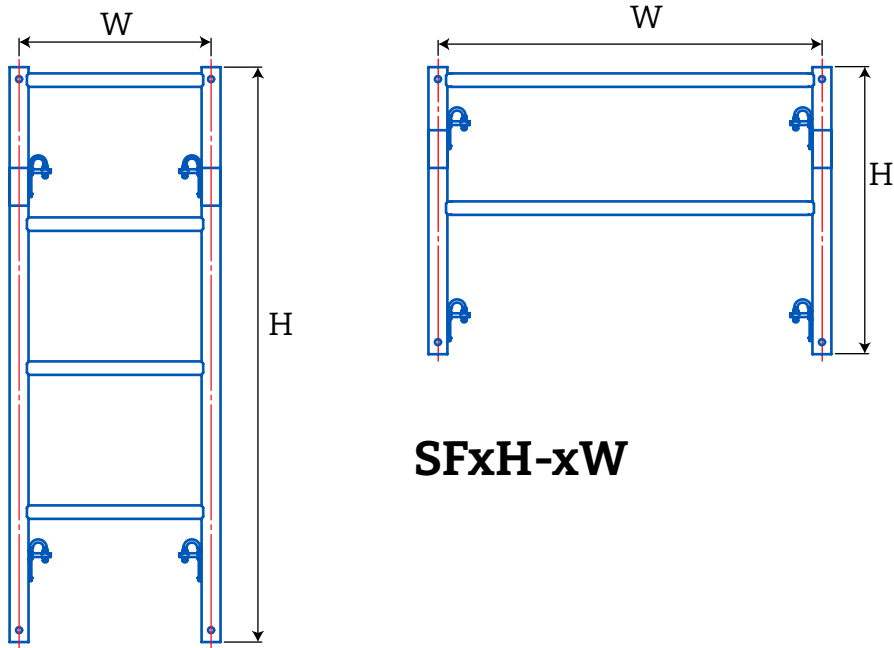
Los Angeles: 562.907.7837
New York: 718.456.3218



SHORING FRAMES & POST SHORES

SHORING FRAMES

STEPUP - SHORING



SF x H - x W

Item Number	Description	Height		Width		Number of Horizontals	Weight	
		Ft	M	Ft	M		Lbs	Kg
SF3H-2W	Shoring Frame 3'x2'	3	0.91	2.000	0.61	2	29.5	13.4
SF3H-4W	Shoring Frame 3'x4'	3	0.91	4.000	1.22	2	36.4	16.5
SF4H-2W	Shoring Frame 4'x2'	4	1.22	2.000	0.61	3	40.2	18.2
SF4H-4W	Shoring Frame 4'x4'	4	1.22	4.000	1.22	3	49.9	22.7
SF5H-2W	Shoring Frame 5'x2'	5	1.52	2.000	0.61	3	47.6	21.6
SF5H-4W	Shoring Frame 5'x4'	5	1.52	4.000	1.22	3	57.3	26.0
SF6H-2W	Shoring Frame 6'x2'	6	1.83	2.000	0.61	4	57.3	26.0
SF6H-4W	Shoring Frame 6'x4'	6	1.83	4.000	1.22	4	71.0	32.2

Atlanta: 770.577.4222
Houston: 713.678.8877

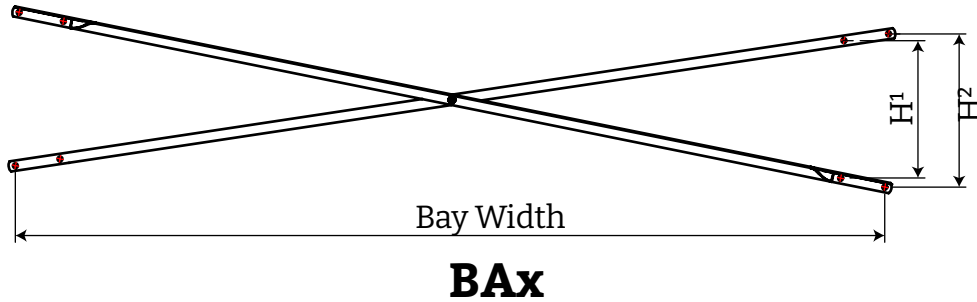
Los Angeles: 562.907.7837
New York: 718.456.3218

Updated February 2024

www.stepupscaffold.com



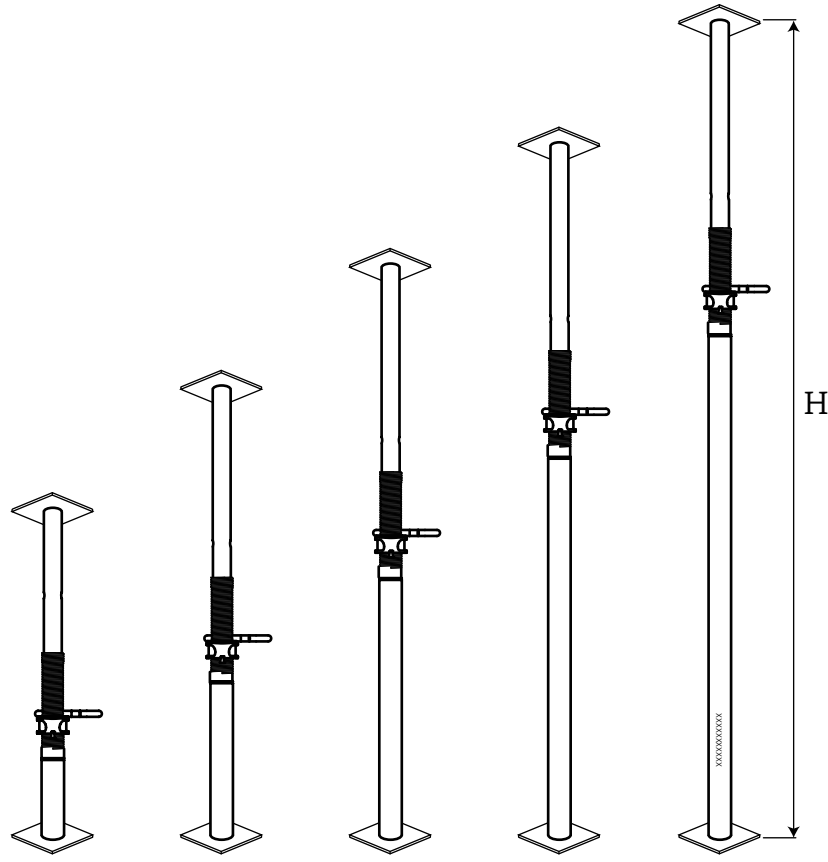
ANGULAR CROSS BRACES



Item Number	Description	Bay Width		H ¹ Min. Height		H ² Max Height		Weight	
		Ft	M	Ft	M	Ft	M	Lbs	Kg
BA234	Angular Cross Brace 2'x3'/4'	2	0.61	3	0.91	4'	1.22	11.2	5.1
BA434	Angular Cross Brace 4'x3'/4'	4	1.22	3	0.91	4'	1.22	14.1	6.4
BA534	Angular Cross Brace 5'x3'/4'	5	1.52	3	0.91	4'	1.22	15.8	7.2
BA634	Angular Cross Brace 6'x3'/4'	6	1.83	3	0.91	4'	1.22	17.8	8.1
BA734	Angular Cross Brace 7'x3'/4'	7	2.13	3	0.91	4'	1.22	19.8	9.0
BA834	Angular Cross Brace 8'x3'/4'	8	2.44	3	0.91	4'	1.22	21.9	9.9
BA1034	Angular Cross Brace 10'x3'/4'	10	3.05	3	0.91	4'	1.22	26.1	11.9
BA71	Angular Cross Brace 7'x1'	7	2.13	N/A		1	0.30	17.4	7.9
BA72	Angular Cross Brace 7'x2'	7	2.13	N/A		2	0.61	17.9	8.1
BA742	Angular Cross Brace 7'x42"	7	2.13	N/A		3.5	1.07	19.3	8.7
BA1042	Angular Cross Brace 10'x42"	10	3.05	N/A		3.5	1.07	25.9	11.7

POST SHORES

STEPUP - SHORING



PSx

Item Number	Description	H (Min.)		H (Max)		Weight	
		In	mm	In	mm	Lbs	Kg
PS0.5	Post Shore 2' to 3'	23	584	35	889	20.3	9.2
PS01	Post Shore 3'5" to 6'	41 3/4	1,062	72	1,830	27.6	12.5
PS02	Post Shore 5'5" to 10'	66 1/2	1,690	120 7/8	3,070	38.7	17.6
PS03	Post Shore 6'5" to 11'	78	1,981	132 3/8	3,361	41.0	18.6
PS04	Post Shore 8'7" to 13'2"	104 1/4	2,649	158 5/8	4,029	46.5	21.1
PS05	Post Shore 10'7" to 16'4"	128 1/4	3,257	197 3/8	5,012	54.4	24.7

All Post Shores -
 External Tube: 2.36"x0.138"
 Internal Tube 1.90"x0.118"

Allowable Loads in Lbs.												
Item Number	4'	5'	6'	7'	8'	9'	10'	11'	12'	13'	14'	15'
PS01	6650	6650	6500									
PS02			6500	6070	5650	5230	4310					
PS03				6070	5650	5230	4310	4310				
PS04						5230	4310	4310	3970	3550		
PS05								4310	3970	3550	3270	3000

Atlanta: 770.577.4222
 Houston: 713.678.8877

Los Angeles: 562.907.7837
 New York: 718.456.3218

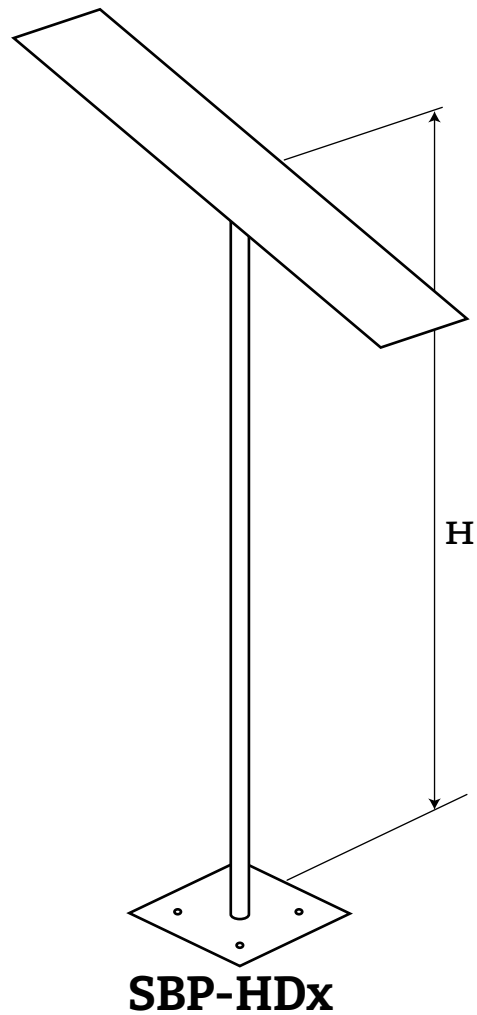
Updated February 2024

www.stepupscaffold.com



SIDEWALK BRIDGE LEG

STEPUP - SHORING



Item Number	Description	L		Weight	
		Ft	M	Lbs	Kg
SBP-HD-8	8' Sidewalk Bridge Leg Heaving Duty	8	2.44	76.2	34.6
SPB-HD-10	10' Sidewalk Bridge Leg Heaving Duty	10	3.05	91.5	41.5
SBP-HD-12	12' Sidewalk Bridge Leg Heaving Duty	12	3.66	106.6	48.4
SBP-HD-14	14' Sidewalk Bridge Leg Heaving Duty	14	4.27	121.8	55.2
SBP-HD-16	16' Sidewalk Bridge Leg Heaving Duty	16	4.88	137.0	62.1

Atlanta: 770.577.4222
Houston: 713.678.8877

Updated February 2024

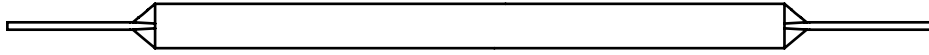
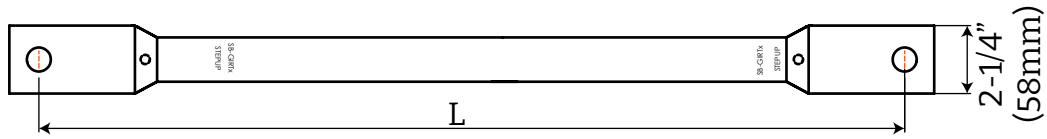
www.stepupscaffold.com

Los Angeles: 562.907.7837
New York: 718.456.3218

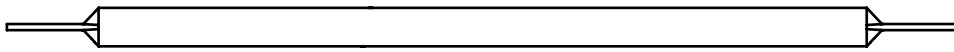
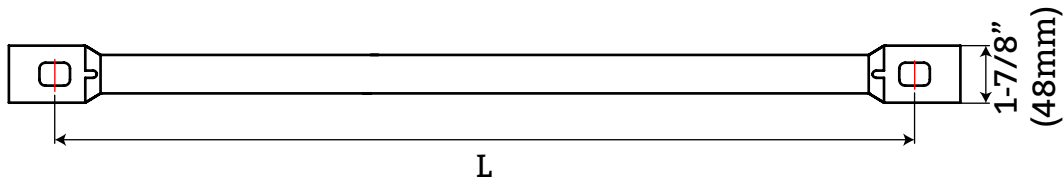


SIDEWALK BRIDGE GIRTS & BRACE

STEPUP - SHORING



SB-GIRTx



SB-DB

Item Number	Description	Effective Length		Weight	
		In.	mm	Lbs	Kg
SB-GIRT1	1' Girt for Sidewalk Bridge Post	12	305	1.7	0.8
SB-GIRT2	2' Girt for Sidewalk Bridge Post	24	610	3.2	1.5
SB-GIRT3	3' Girt for Sidewalk Bridge Post	36	914	4.7	2.1
SB-GIRT4	4' Girt for Sidewalk Bridge Post	48	1,219	6.1	2.8
SB-GIRT5	5' Girt for Sidewalk Bridge Post	60	1,524	7.6	3.5
SB-GIRT6	6' Girt for Sidewalk Bridge Post	72	1,829	9.1	4.1
SB-GIRT7	7' Girt for Sidewalk Bridge Post	84	2,134	10.6	4.8
SB-GIRT8	8' Girt for Sidewalk Bridge Post	96	2,438	12.0	5.5
SB-DB	10'4" Diagonal Brace	124	3,150	10.0	4.5

Atlanta: 770.577.4222
Houston: 713.678.8877

Updated February 2024

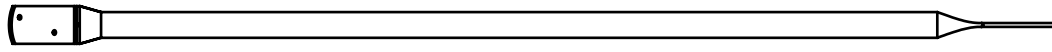
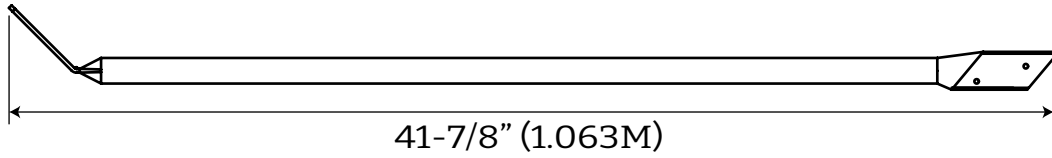
www.stepupsccaffold.com

Los Angeles: 562.907.7837
New York: 718.456.3218

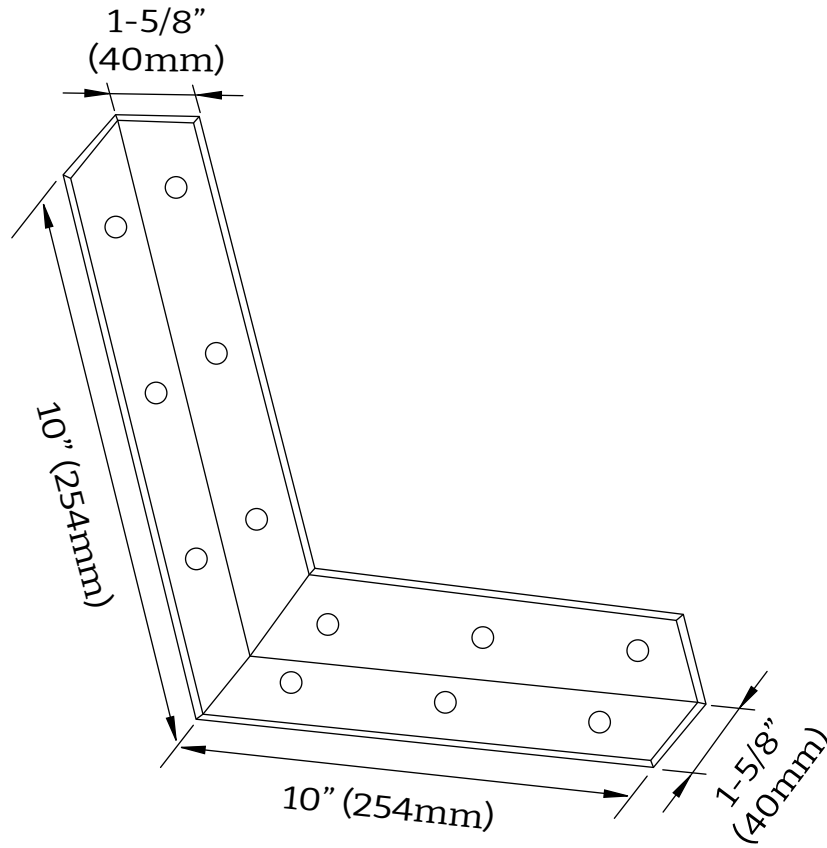


PANEL BRACKETS

STEPUP - SHORING



P-BRACKETS-B



P-BRACKETS-S

Item Number	Description	Weight	
		Lb.	Kg
P-BRACKETS-B	Large Panel Bracket for Sidewalk Bridge Post	3.7	1.7
P-BRACKETS-S	Small Panel Bracket for Sidewalk Bridge Post	1.3	0.6

Atlanta: 770.577.4222
Houston: 713.678.8877

Updated February 2024

www.stepupscaffold.com

Los Angeles: 562.907.7837
New York: 718.456.3218

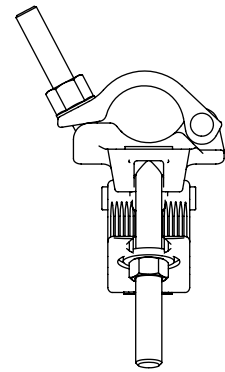


CLAMPS

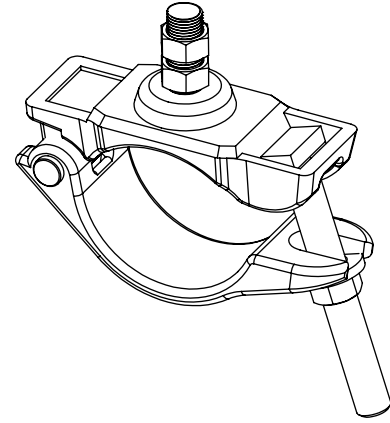
SIDEWALK BRIDGE CLAMPS



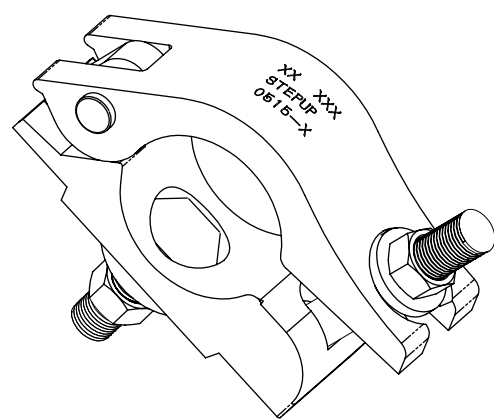
CLAMP-HB



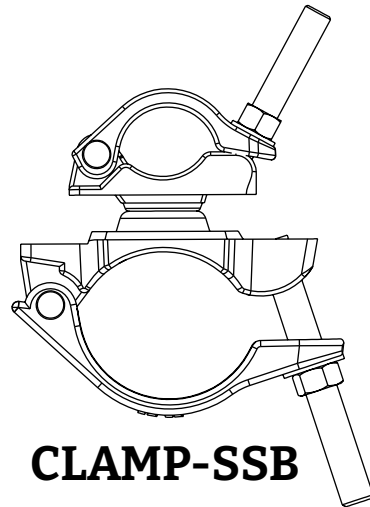
CLAMP-RSB



CLAMP-ST-N



CLAMP-ST-N-2.5



CLAMP-SSB

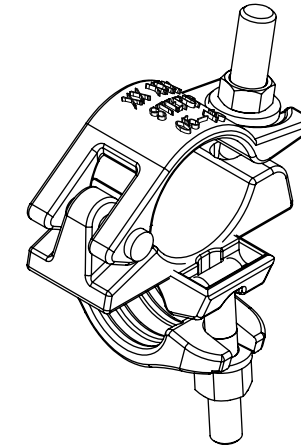
Item Number	Description	Weight	
		Lbs	Kg
CLAMP-HB	Head Beam Clamp	3.2	1.4
CLAMP-RSB	Right Angle Clamp (Sidewalk Bridge)	5.2	2.4
CLAMP-SSB	Swivel Clamp (Sidewalk Bridge)	5.7	2.6
CLAMP-ST-N-2.5	Stud Clamp with Hexagonal Screw	3.5	1.6
CLAMP-ST-N	Stud Clamp with Hexagonal Screw	4.3	2.0

Continued on next page

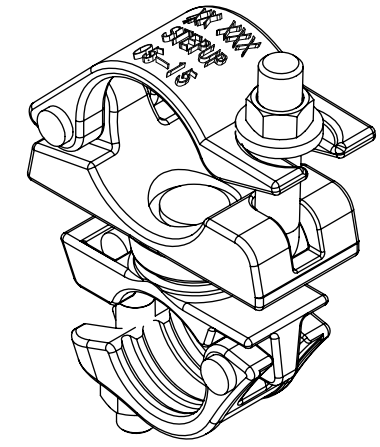
Continued from previous page

CLAMPS (CONTINUED)

SHORING CLAMPS



CLAMP-R25



CLAMP-S25

Item Number	Description	Weight	
		Lbs	Kg
CLAMP-S25	Forged Swivel Clamp	4.7	2.1
CLAMP-R25	Forged Right Angle Clamp	4.1	1.9

STEPUP - SHORING

STEPUP - SHORING



Barranquilla, Colombia

**Atlanta, Houston,
Los Angels, New York,
and Memphis, USA**

**Glasgow, Scotland
Copenhagen, Denmark**

LET STEPUP HELP YOU GROW YOUR BUSINESS

STEPUP Scaffold, a division of Sunshine Enterprises, started in 1998 and quickly became one of the largest importers, and manufacturers of scaffolding and access equipment in the North American market. Throughout the years, STEPUP Scaffold has continued to diversify our product lines and

capabilities to meet the needs of our customers and the industries we serve. We have focused our business structure to best serve scaffolding companies and contractors, helping them to grow their businesses.



STEPUP