

STEPUP RINGLOCK CATALOG



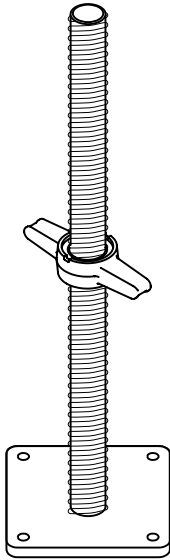
STEPUP

RINGLOCK SCAFFOLD

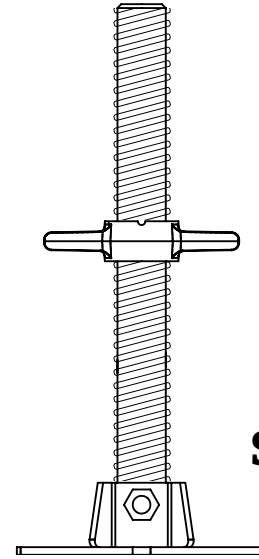
BASE PRODUCTS	4
VERTICALS.....	5
HORIZONTALS.....	6
HORIZONTAL TRUSS.....	7
LATTICE GIRDER	8
BAY BRACES	9
SWIVEL CLAMP BAY BRACES	10
9" WIDE, HIGH DECK, STEEL PLANKS.....	11
12.5" WIDE STEEL PLANKS	12
FILLER PLANKS with HOOKS	13
9" WIDE, DOG EAR PLANKS.....	14
LOW PROFILE, 9 ½" WIDE, STEEL PLANKS.....	15
ADJUSTABLE TOE BOARDS.....	16
V-GAP COVERS	17
PLANK FILLERS.....	19
BOARD BRACKETS.....	21
LADDERS & BRACKETS.....	22
SCAFFOLD STORAGE	25
STAIR STRINGERS & TREADS.....	26
ACCESSORIES	27
TUBE & CLAMP.....	28

BASE PRODUCTS

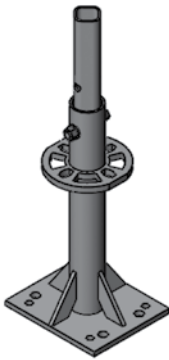
STEPUP - RINGLOCK



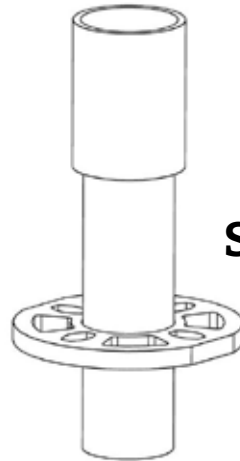
S-SJB



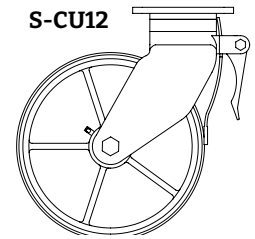
S-SJS



S-RCA



S-COLLAR



S-CU12

Item Number	Description	Weight	
		Lb.	Kg
S-SJB	System Screw Jack 1.5"	8.5	3.9
S-SJS	System Swivel Screw Jack - 1.5"	11.2	5.1
S-CU12	12" Scaffold Caster	39.7	18.0
S-RCA	Ringlock Caster Adapter	9.2	4.2
S-COLLAR	Starter Collar	3.2	1.5
S-COLLAR-AE	Starter Collar	4.8	2.2
S-COLLAR-NG4	IL2 Vertical Leg Starter Collar	5.9	2.7

Atlanta: 770.577.4222
Houston: 713.678.8877

Updated: February 2024

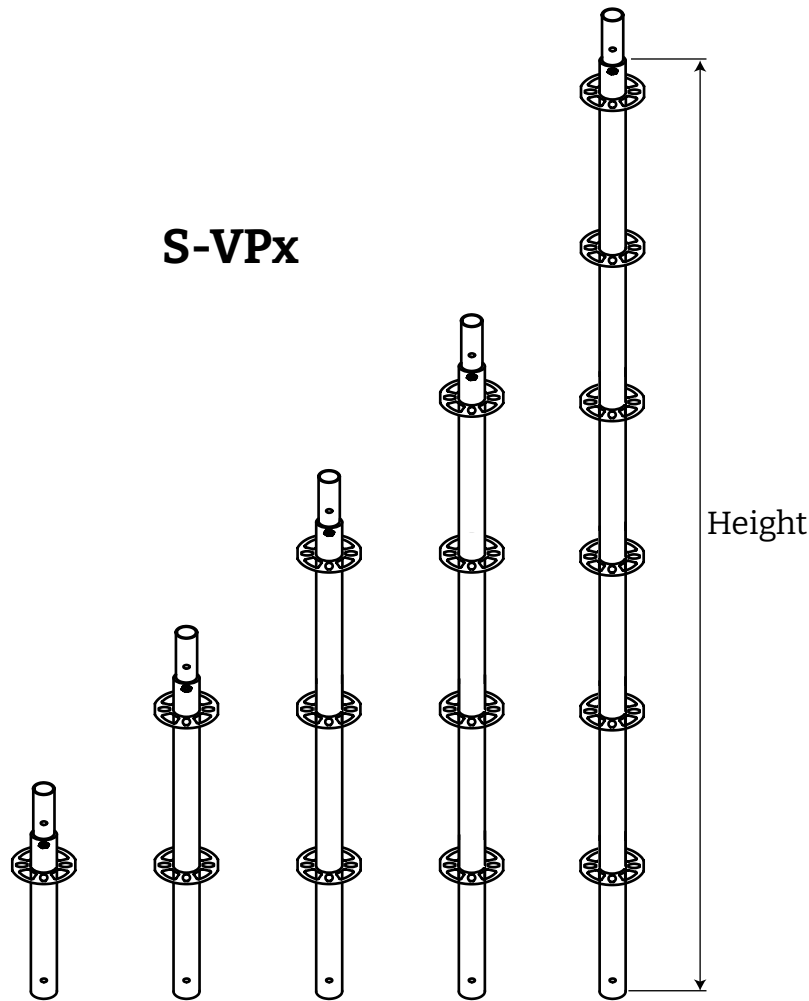
www.stepupsccaffold.com

Los Angeles: 562.907.7837
New York: 718.456.3218



VERTICALS

STEPUP - RINGLOCK



Item Number	Description	Height		Weight	
		In	M	Lbs	Kg
S-VP05	Vertical with Spigot - 1'7"	19 5/8	0.5	6.4	2.9
S-VP10	Vertical With Spigot - 3'3"	39 3/8	1.0	11.3	5.1
S-VP15	Vertical with Spigot 4'11"	59	1.5	16.2	7.4
S-VP20	Vertical with Spigot 6'6"	78 3/4	2.0	21.1	9.6
S-VP25*	Vertical with Spigot 8'2"	98 3/8	2.5	26.1	11.8
S-VP30	Vertical with Spigot 9'9"	118 1/8	3.0	31.0	14.1

* Special order item. Contact your STEPUP Agent.

Atlanta: 770.577.4222
Houston: 713.678.8877

Updated: February 2024

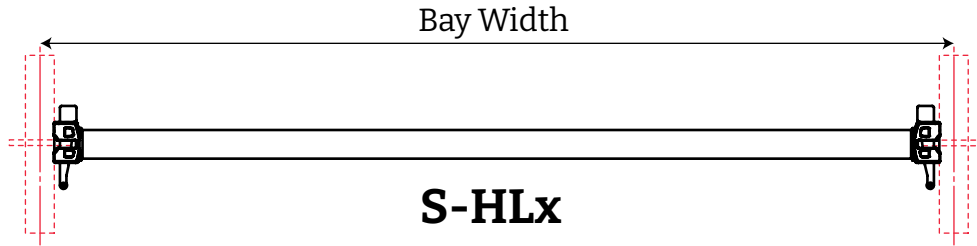
www.stepupscaffold.com

Los Angeles: 562.907.7837
New York: 718.456.3218



HORIZONTALS

STEPUP - RINGLOCK



Item Number	Description	Bay Width		Weight	
		In	mm	Lbs	Kg
S-HL2	Horizontal - 2'	24	610	6.2	2.8
S-HL3	Horizontal - 3'	36	914	8.5	3.9
S-HL33	Horizontal - 3' 3"	39	991	9.1	4.1
S-HL36	Horizontal - 3' 6"	41 7/8	1,065	9.6	4.4
S-HL310	Horizontal - 3' 10"	45 1/4	1,150	10.3	4.7
S-HL4	Horizontal - 4'	48	1,219	10.8	4.9
S-HL5	Horizontal - 5'	60	1,524	13.1	5.9
S-HL6	Horizontal - 6'	72	1,829	15.3	7.0
S-HL7	Horizontal - 7'	83 7/8	2,130	17.6	8.0
S-HL8	Horizontal - 8'	96	2,438	19.9	9.0
S-HL9	Horizontal - 9'	108	2,743	22.2	10.0
S-HL10	Horizontal - 10'	120 1/8	3,050	24.4	11.1

Item Number	Description	Bay Width		Weight	
		In	mm	Lbs	Kg
S-HLM0650	Horizontal - 0.650M (2' 2")	25 5/8	650	6.5	2.97
S-HLM0732	Horizontal - 0.732M (2' 4")	28 7/8	732	7.2	3.26
S-HLM0885	Horizontal - 0.885M (2' 11")	34 7/8	885	8.4	3.81
S-HLM1090	Horizontal - 1.090M (3' 7")	42 7/8	1,090	9.8	4.458
S-HLM1286	Horizontal - 1.286M (4' 3")	50 5/8	1,286	11.6	5.24
S-HLM1484	Horizontal - 1.484M (4' 10")	58 3/8	1,484	13.1	5.95
S-HLM1572	Horizontal - 1.572M (5' 2")	61 7/8	1,572	13.8	6.26
S-HLM2072	Horizontal - 2.072M (6' 10")	81 5/8	2,072	17.7	8.04
S-HLM2572	Horizontal - 2.572M (8' 6")	101 1/4	2,572	21.6	9.82

Atlanta: 770.577.4222
Houston: 713.678.8877

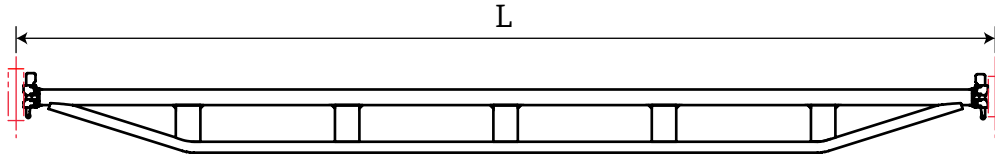
Updated: February 2024

www.stepupscaffold.com

Los Angeles: 562.907.7837
New York: 718.456.3218



HORIZONTAL TRUSS



S-HTx-R

Item Number	Description	L		Weight	
		In.	mm	Lbs	Kg
S-HT5-R	Horizontal Truss - 5'	60	1,524	21.1	9.6
S-HT6-R	Horizontal Truss - 6'	72	1,829	25.5	11.6
S-HT7-R	Horizontal Truss - 7'	83 7/8	2,130	29.4	13.3
S-HT8-R	Horizontal Truss - 8'	96	2,438	34.1	15.5
S-HT9-R	Horizontal Truss - 9'	108	2,743	37.8	17.1
S-HT10-R	Horizontal Truss - 10'	120 1/8	3,050	42.5	19.3
S-HTM1572-R	Horizontal Truss - 1.572M (5' 2")	61 7/8	1,572	19.5	8.8
S-HTM2072-R	Horizontal Truss - 2.072M (6' 10")	81 5/8	2,072	28.7	13.018
S-HTM2572-R	Horizontal Truss - 2.572M (8' 6")	101 1/4	2,572	35.7	16.198

Other sizes available. Contact your STEPUP Agent for information.

Atlanta: 770.577.4222
Houston: 713.678.8877

Updated: February 2024

www.stepupscaffold.com

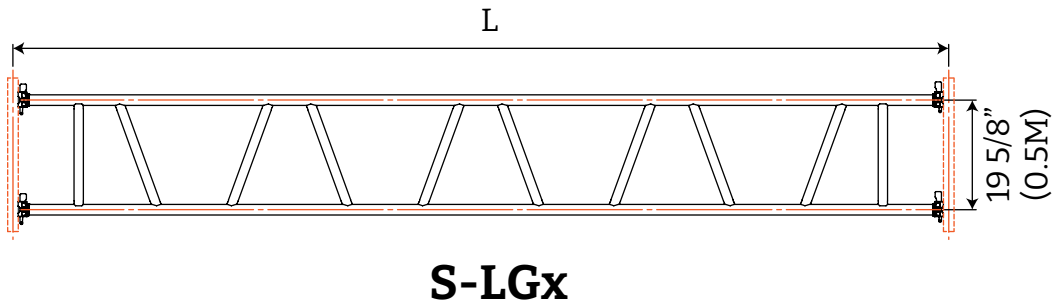
Los Angeles: 562.907.7837
New York: 718.456.3218



STEPUP

LATTICE GIRDER

STEPUP - RINGLOCK



Item Number	Description	L		Weight	
		Ft	M	Lbs	Kg
S-LG14	14' Lattice Girder	14	4.27	95.5	43.3
S-LG21	21' Lattice Girder	21	6.40	149.5	67.8
S-LG28	28' Lattice Girder	28	8.53	198.3	90.0

Other sizes available. Contact your STEPUP Agent for information.

Atlanta: 770.577.4222
Houston: 713.678.8877

Updated: February 2024

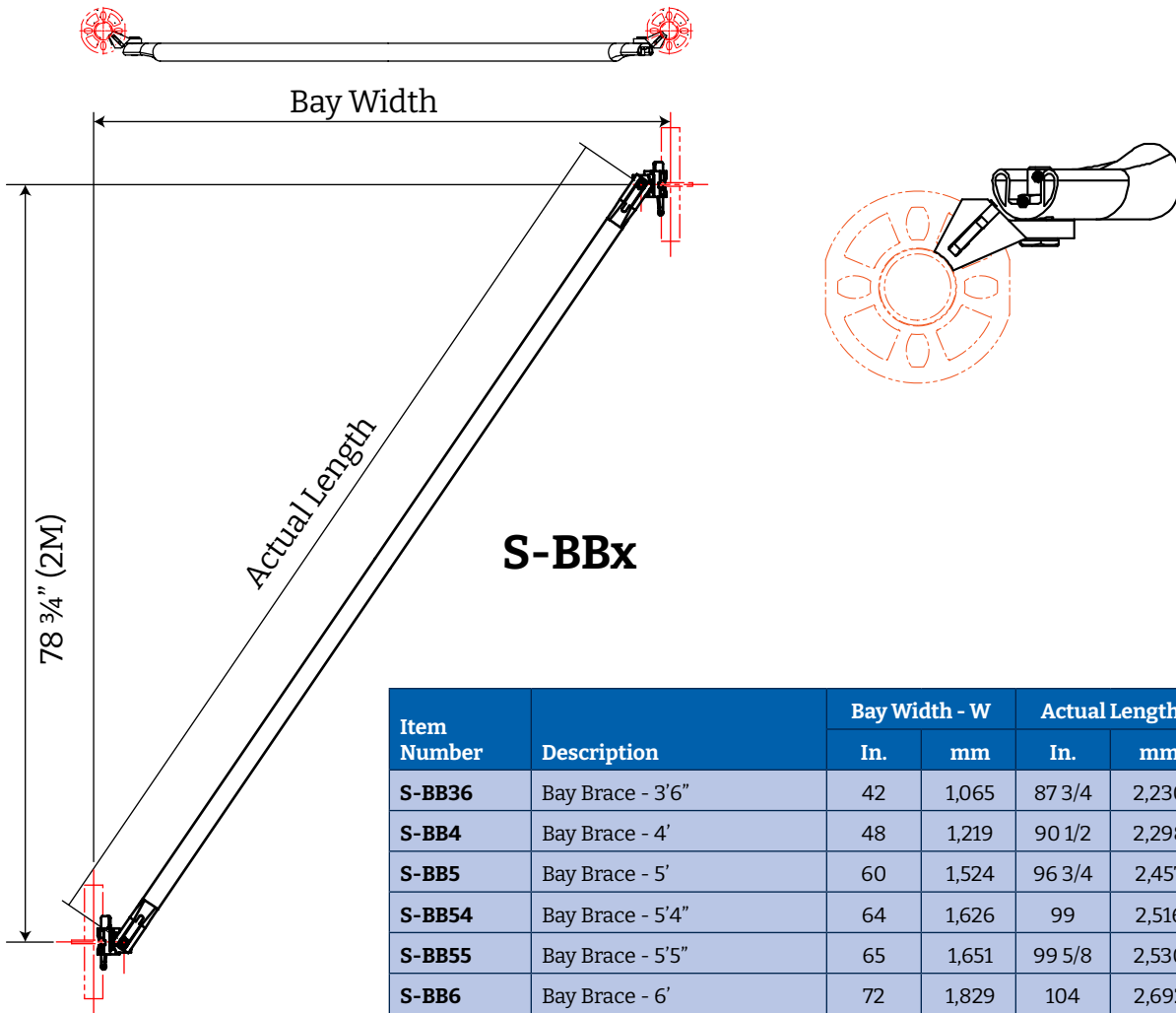
www.stepupscaffold.com

Los Angeles: 562.907.7837
New York: 718.456.3218



BAY BRACES

STEPUP - RINGLOCK



Item Number	Description	Bay Width - W		Actual Length		Weight	
		In.	mm	In.	mm	Lbs	Kg
S-BB36	Bay Brace - 3'6"	42	1,065	87 3/4	2,230	17.0	7.7
S-BB4	Bay Brace - 4'	48	1,219	90 1/2	2,298	17.4	7.9
S-BB5	Bay Brace - 5'	60	1,524	96 3/4	2,457	18.4	8.3
S-BB54	Bay Brace - 5'4"	64	1,626	99	2,516	18.7	8.5
S-BB55	Bay Brace - 5'5"	65	1,651	99 5/8	2,530	19.1	8.7
S-BB6	Bay Brace - 6'	72	1,829	104	2,692	19.5	8.8
S-BB7	Bay Brace - 7'	83 7/8	2,130	112	2,844	20.7	9.4
S-BB8	Bay Brace - 8'	96	2,438	120 3/4	3,068	22.0	10.0
S-BB10	Bay Brace 10'	120 1/8	3,050	139 7/8	3,552	24.9	11.3

Item Number	Description	Bay Width - W		Actual Length		Weight	
		In.	mm	In.	mm	Lbs	Kg
S-BBM0650	Bay Brace - 0.650M (2' 2")	25 5/8	650	82 3/8	2,093	16.2	7.3
S-BBM0732	Bay Brace - 0.732M (2' 4")	28 7/8	732	83 1/4	2,115	16.3	7.4
S-BBM0885	Bay Brace - 0.885M (2' 11")	34 7/8	885	85 1/8	2,162	16.6	7.5
S-BBM1150	Bay Brace - 1.150M (3' 9")	45 1/4	1,150	89 1/4	2,267	17.2	7.8
S-BBM1286	Bay Brace - 1.286M (4' 3")	50 5/8	1,286	91 3/4	2,331	17.6	8.0
S-BBM1572	Bay Brace - 1.572M (5' 2")	61 7/8	1,572	97 3/4	2,484	18.5	8.4
S-BBM2072	Bay Brace - 2.072M (6' 10")	81 5/8	2,072	110 3/8	2,804	20.5	9.3
S-BBM2572	Bay Brace - 2.572M (8' 6")	101 1/4	2,572	124 7/8	3,171	22.6	10.3

Other sizes available. Contact your STEPUP Agent for information.

Atlanta: 770.577.4222
Houston: 713.678.8877

Los Angeles: 562.907.7837
New York: 718.456.3218

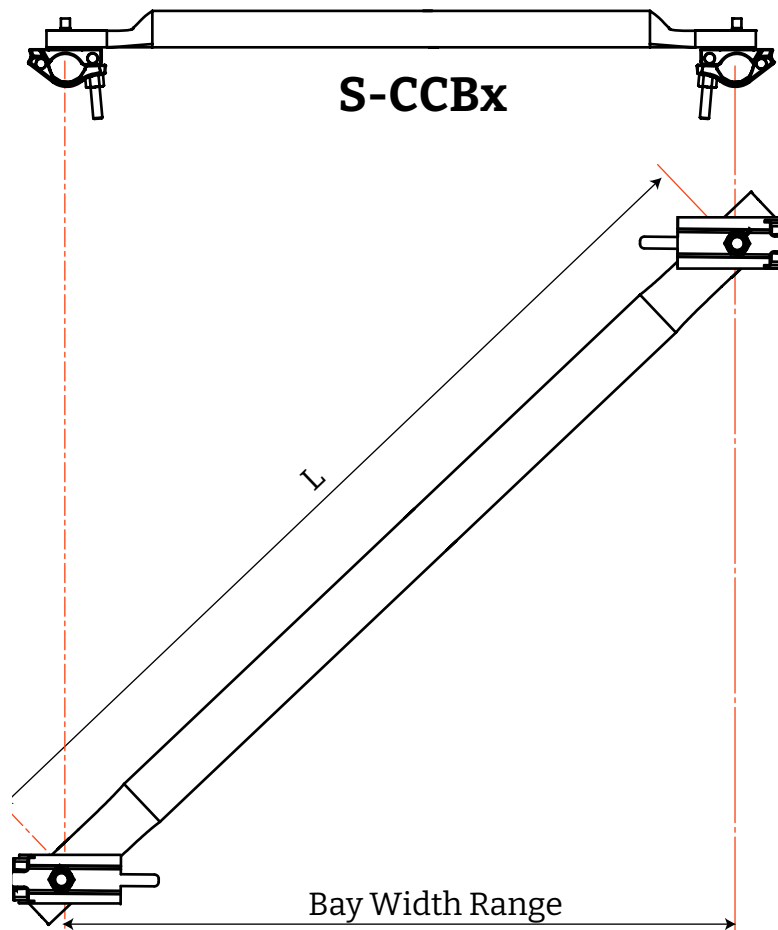
Updated: February 2024

www.stepupsccaffold.com



SWIVEL CLAMP BAY BRACES

STEPUP - RINGLOCK



Item Number	Description	Bay Width Range		L		Weight	
		Ft	M	In.	mm	Lbs	Kg
S-CCB50	Swivel Clamp Bay Brace - 6'6"	3 - 5	0.9 - 1.5	78	1,981	16.1	7.3
S-CCB70	Swivel Clamp Bay Brace - 9'7"	5 - 7	1.6 - 2.1	115 1/8	2,925	21.8	9.9
S-CCB80*	Swivel Clamp Bay Brace - 10' 4 1/4"	6 - 8	1.9 - 2.4	124 1/8	3,154	23.1	10.5
S-CCB82	Swivel Clamp Bay Brace - 10'6"	6 - 8 1/2	1.9 - 2.5	126	3,202	23.4	10.6
S-CCB86	Swivel Clamp Bay Brace - 10' 8"	6 - 8 1/2	1.9 - 2.5	128	3,259	23.8	10.8
S-CCB100	Swivel Clamp Bay Brace - 12'	8 1/2 - 10	2.6 - 3.0	143 1/2	3,646	26.1	11.8

* Special order item. Contact your STEPUP Agent.

Atlanta: 770.577.4222
Houston: 713.678.8877

Updated: February 2024

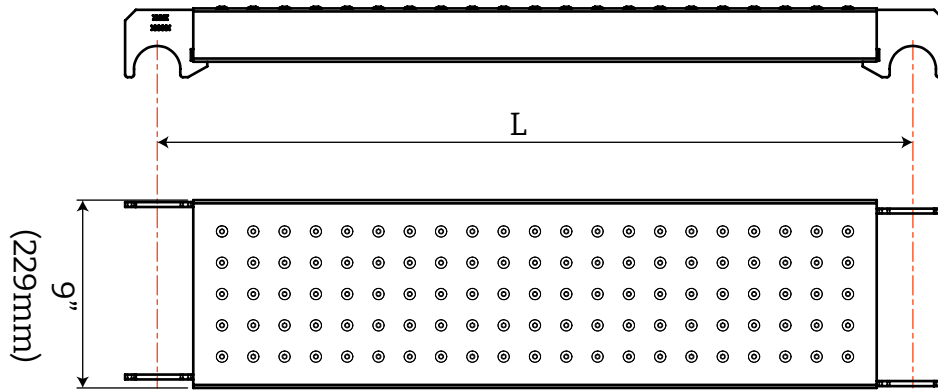
www.stepupsccaffold.com

Los Angeles: 562.907.7837
New York: 718.456.3218



9" WIDE, HIGH DECK, STEEL PLANKS

STEPUP - RINGLOCK

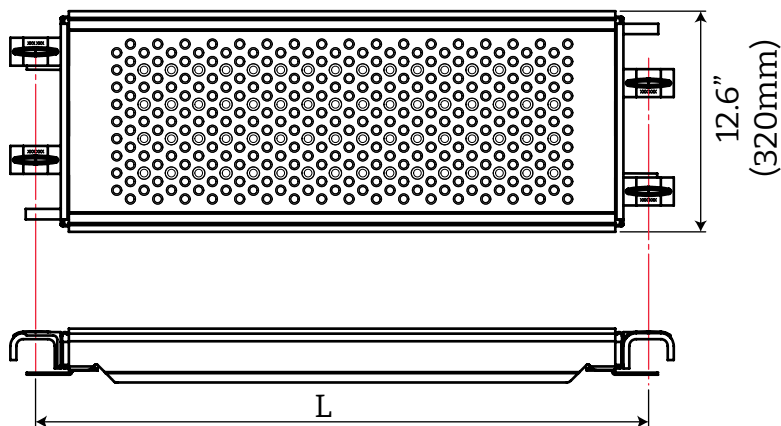


S-SPx

Item Number	Description	L		Weight	
		In	mm	Lbs	Kg
S-SP2	Steel Plank - 2' (1.8mm thick)	24	610	10.3	4.7
S-SP27	Steel Plank - 2'7" (1.8mm thick)	31	787	12.5	5.7
S-SP3	Steel Plank - 3' (1.8mm thick)	36	914	14.1	6.4
S-SP36	Steel Plank - 3'6" (1.8mm thick)	42	1,067	16.0	7.27
S-SP4	Steel Plank - 4' (1.8mm thick)	48	1,219	17.9	8.13
S-SP5	Steel Plank - 5' (1.8mm thick)	60	1,524	21.7	9.86
S-SP6	Steel Plank - 6' (1.8mm thick)	72	1,829	25.6	11.59
S-SP7	Steel Plank - 7' (1.8mm thick)	84	2,134	29.4	13.32
S-SP8	Steel Plank - 8' (1.8mm thick)	96	2,438	33.2	15.05
S-SP9	Steel Plank - 9' (1.8mm thick)	108	2,743	37.0	16.78
S-SP10	Steel Plank - 10' (1.8mm thick)	120	3,048	40.8	18.51

12.5" WIDE STEEL PLANKS

STEPUP - RINGLOCK



S-SPx-LH

Item Number	Description	L		Weight	
		In	mm	Lbs	Kg
S-SP7-LH	Steel Plank with Hooks - 7'	83 7/8	2,130	33.4	15.2
S-SP7-LH-PG	Pre-Galvanized Steel Plank with Hooks - 7'	83 7/8	2,130	33.4	15.2
S-SP100-LH	Steel Plank with Hooks - 10'	120	3,048	45.9	20.8
S-SP100-LH-PG	Pre-Galvanized Steel Plank with Hooks - 10'	120	3,048	45.9	20.8
S-SPM0732-LH	Steel Plank with Hooks - 0.732M (2' 5")	28 7/8	732	14.4	6.6
S-SPM0732-LH-PG	Steel Plank with Hooks - 0.732M (2' 5")	28 7/8	732	14.4	6.6
S-SPM1090-LH	Steel Plank with Hooks - 1.090M (3' 7")	42 7/8	1,090	19.3	8.8
S-SPM1090-LH-PG	Steel Plank with Hooks - 1.090M (3' 7")	42 7/8	1,090	19.3	8.8
S-SPM1286-LH	Steel Plank with Hooks - 1.286M (4' 3")	50 5/8	1,286	22.0	10.0
S-SPM1286-LH-PG	Steel Plank with Hooks - 1.286M (4' 3")	50 5/8	1,286	22.0	10.0
S-SPM1400-LH	Steel Plank with Hooks - 1.400M (4' 7")	55 1/8	1,400	23.5	10.7
S-SPM1572-LH	Steel Plank with Hooks - 1.572M (5' 2")	61 7/8	1,572	25.9	11.7
S-SPM1572-LH-PG	Steel Plank with Hooks - 1.572M (5' 2")	61 7/8	1,572	25.9	11.7
S-SPM2072-LH	Steel Plank with Hooks - 2.072M (6' 10")	81 5/8	2,072	32.7	14.8
S-SPM2072-LH-PG	Steel Plank with Hooks - 2.072M (6' 10")	81 5/8	2,072	32.7	14.8
S-SPM2572-LH	Steel Plank with Hooks - 2.572M (8' 6")	101 1/4	2,572	39.4	17.9
S-SPM2572-LH-PG	Steel Plank with Hooks - 2.572M (8' 6")	101 1/4	2,572	39.4	17.9
S-SPM3000-LH*	Steel Plank with Hooks - 3.000M (9' 10")	118 1/8	3,000	45.3	20.5
S-SPM3072-LH*	Steel Plank with Hooks - 3.072M (10' 1")	121	3,072	46.2	21.0

* Special order item. Contact your STEPUP Agent.

Atlanta: 770.577.4222
Houston: 713.678.8877

Updated: February 2024

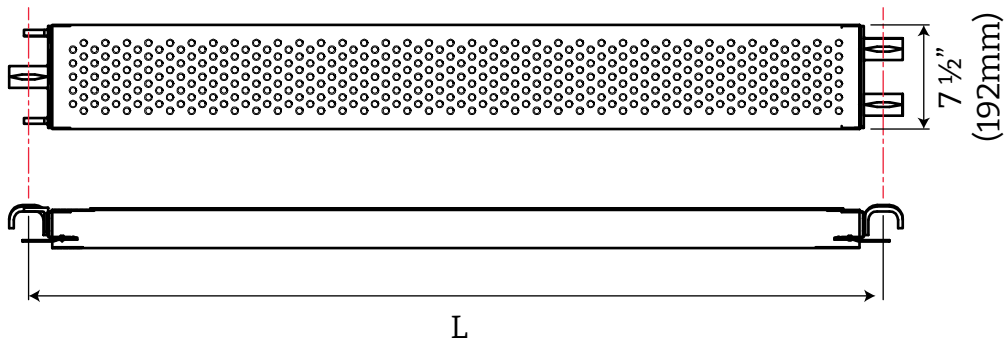
www.stepupscaffold.com

Los Angeles: 562.907.7837
New York: 718.456.3218



STEPUP

FILLER PLANKS WITH HOOKS



S-SFPx-LH

Item Number	Description	L		Weight	
		In	mm	Lbs	Kg
S-SFP7-LH	Filler Steel Plank with Hooks - 7'	83 7/8	2,130	25.8	11.7
S-SFP100-LH	Filler Steel Plank with Hooks - 10'	120	3,048	35.0	15.9
S-SFPM0732-LH*	Filler Steel Plank with Hooks - 0.732M (2' 5")	28 7/8	732	10.9	4.9
S-SFPM1090-LH*	Filler Steel Plank with Hooks - 1.090M (3' 7")	42 7/8	1,090	14.6	6.6
S-SFPM1286-LH*	Filler Steel Plank with Hooks - 1.286M (4' 3")	50 5/8	1,286	16.7	7.6
S-SFPM1572-LH	Filler Steel Plank with Hooks - 1.572M (5' 2")	61 7/8	1,572	19.6	8.9
S-SFPM2072-LH	Filler Steel Plank with Hooks - 2.072M (6' 10")	81 5/8	2,072	24.8	11.3
S-SFPM2572-LH	Filler Steel Plank with Hooks - 2.572M (8' 6")	101 1/4	2,572	30.0	13.6
S-SFPM3072-LH*	Filler Steel Plank with Hooks - 3.072M (10' 1")	121	3,072	35.3	16.0

* Special order item. Contact your STEPUP Agent.

Atlanta: 770.577.4222
Houston: 713.678.8877

Updated: February 2024

www.stepupsccaffold.com

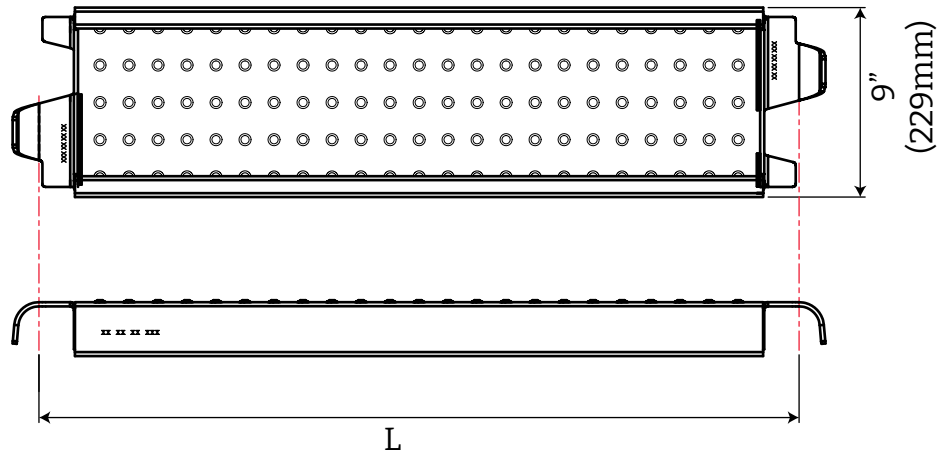
Los Angeles: 562.907.7837
New York: 718.456.3218



STEPUP

9" WIDE, DOG EAR PLANKS

STEPUP - RINGLOCK



S-SPx-DE

Item Number	Description	L		Weight	
		In	mm	Lbs	Kg
S-SP27-DE	Dog Ear Steel Plank - 2'7"	31	787	13.1	5.9
S-SP3-DE*	Dog Ear Steel Plank - 3'	36	914	14.7	6.7
S-SP36-DE	Dog Ear Steel Plank - 3'6"	42	1,067	16.6	7.5
S-SP4-DE	Dog Ear Steel Plank - 4'	48	1,219	18.5	8.4
S-SP5-DE	Dog Ear Steel Plank - 5'	60	1,524	22.3	10.1
S-SP6-DE	Dog Ear Steel Plank - 6'	72	1,829	26.1	11.9
S-SP7-DE	Dog Ear Steel Plank - 7'	84	2,134	29.9	13.6
S-SP8-DE	Dog Ear Steel Plank - 8'	96	2,438	33.7	15.3
S-SP9-DE	Dog Ear Steel Plank - 9'	108	2,743	37.5	17.0
S-SP10-DE	Dog Ear Steel Plank - 10'	120	3,048	48.0	21.7
S-SPM0885-DE	Dog Ear Steel Plank - 0.88M (2' 11")	34 7/8	885	14.3	6.5
S-SPM1150-DE	Dog Ear Steel Plank - 1.15M (3' 9")	45 1/4	1150	17.6	8.0
S-SPM1572-DE	Dog Ear Steel Plank - 1.572M (5' 2")	61 7/8	1572	22.9	10.4
S-SPM2572-DE	Dog Ear Steel Plank - 2.572M (8' 6")	101 1/4	2572	35.4	16.1

* Special order item. Contact your STEPUP Agent.

Atlanta: 770.577.4222
Houston: 713.678.8877

Updated: February 2024

www.stepupsccaffold.com

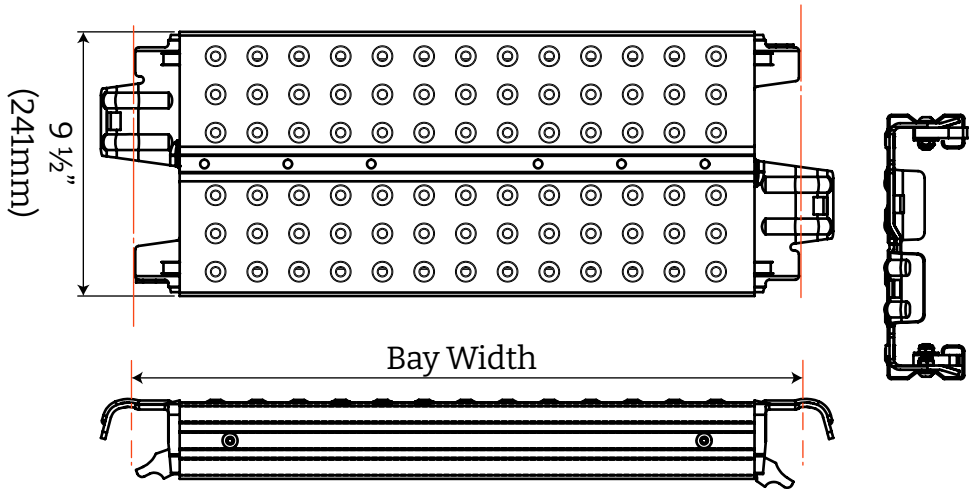
Los Angeles: 562.907.7837
New York: 718.456.3218



LOW PROFILE, 9 1/2" WIDE, STEEL PLANKS

Canadian Style

STEPUP - RINGLOCK



S-SPx-SA

Item Number	Description	Bay Width		Weight	
		In	mm	Lbs	Kg
S-SP3-SA	Low Profile, 9-1/2" Wide, Steel Plank - 3' (Canadian Style)	36	914	15.8	7.2
S-SP36-SA	Low Profile, 9-1/2" Wide, Steel Plank - 3'6" (Canadian Style)	42	1,067	17.6	8.0
S-SP4-SA	Low Profile, 9-1/2" Wide, Steel Plank - 4' (Canadian Style)	48	1,219	19.5	8.8
S-SP5-SA	Low Profile, 9-1/2" Wide, Steel Plank - 5' (Canadian Style)	60	1,524	23.3	10.5
S-SP6-SA	Low Profile, 9-1/2" Wide, Steel Plank - 6' (Canadian Style)	72	1,829	27.0	12.2
S-SP7-SA	Low Profile, 9-1/2" Wide, Steel Plank - 7' (Canadian Style)	84	2,130	30.7	13.9
S-SP8-SA	Low Profile, 9-1/2" Wide, Steel Plank - 8' (Canadian Style)	96	2,438	34.5	15.6
S-SP9-SA	Low Profile, 9-1/2" Wide, Steel Plank - 9' (Canadian Style)	108	2,743	38.2	17.3
S-SP10-SA	Low Profile, 9-1/2" Wide, Steel Plank - 10' (Canadian Style)	120 1/8	3,051	41.9	19.0
S-SPM1572-SA	Low Profile, 9-1/2" Wide Steel Plank - 1.572M (5' 2") (Canadian Style)	61 7/8	1,572	23.8	10.8

Other sizes available. Contact your STEPUP Agent for information.

Atlanta: 770.577.4222
Houston: 713.678.8877

Updated: February 2024

www.stepupsccaffold.com

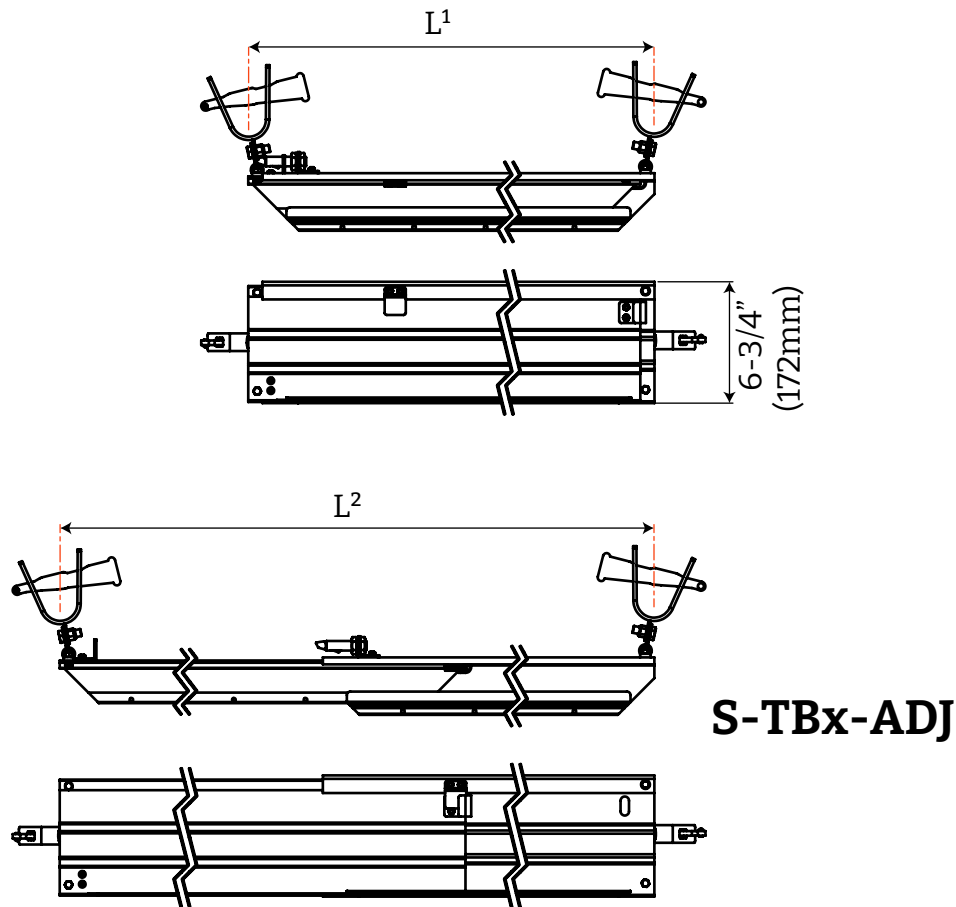
Los Angeles: 562.907.7837
New York: 718.456.3218



STEPUP

ADJUSTABLE TOE BOARDS

STEPUP - RINGLOCK



Item Number	Description	L ¹ - Min		L ² - Max		Weight	
		In	mm	In	mm	Lb.	Kg
S-TB25-38-ADJ	Adjustable Toe Board 25" to 38"	25 1/4	642.9	38 1/2	978	12.6	5.7
S-TB39-66-ADJ	Adjustable Toe Board 39" to 66"	39	992	65 1/2	1,664	17.7	8.1
S-TB67-120-ADJ	Adjustable Toe Board 67" to 120"	67 1/4	1,708	120 3/8	3,058	28.4	12.9

Atlanta: 770.577.4222
Houston: 713.678.8877

Updated: February 2024

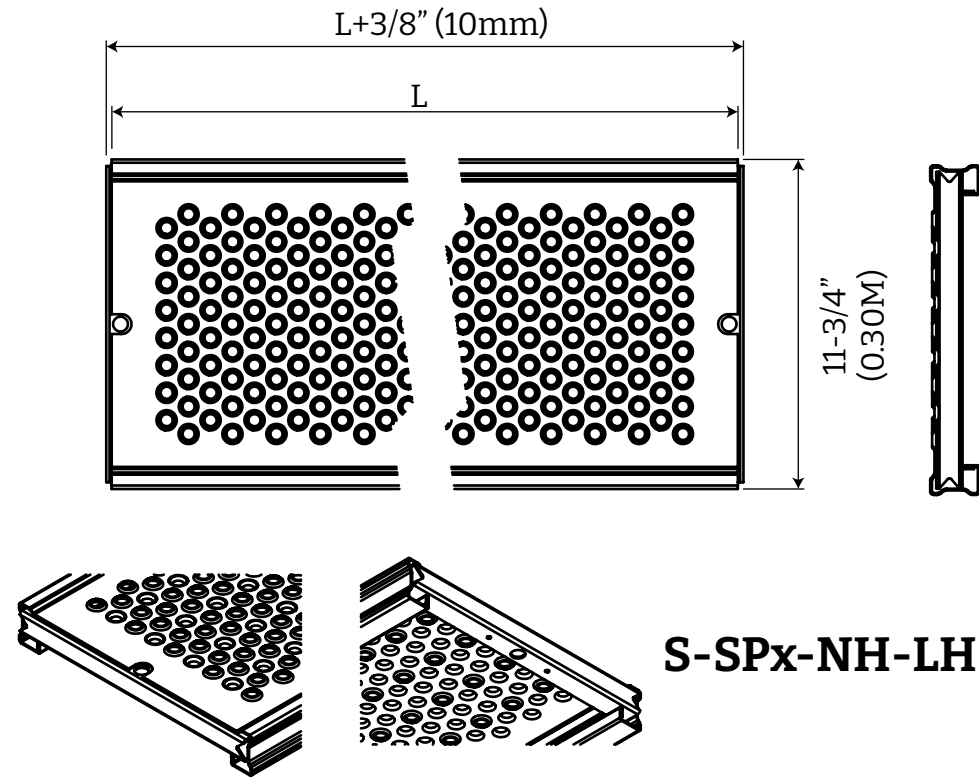
www.stepupscaffold.com

Los Angeles: 562.907.7837
New York: 718.456.3218



V-GAP COVERS

11-3/4" (0.3M) WIDE

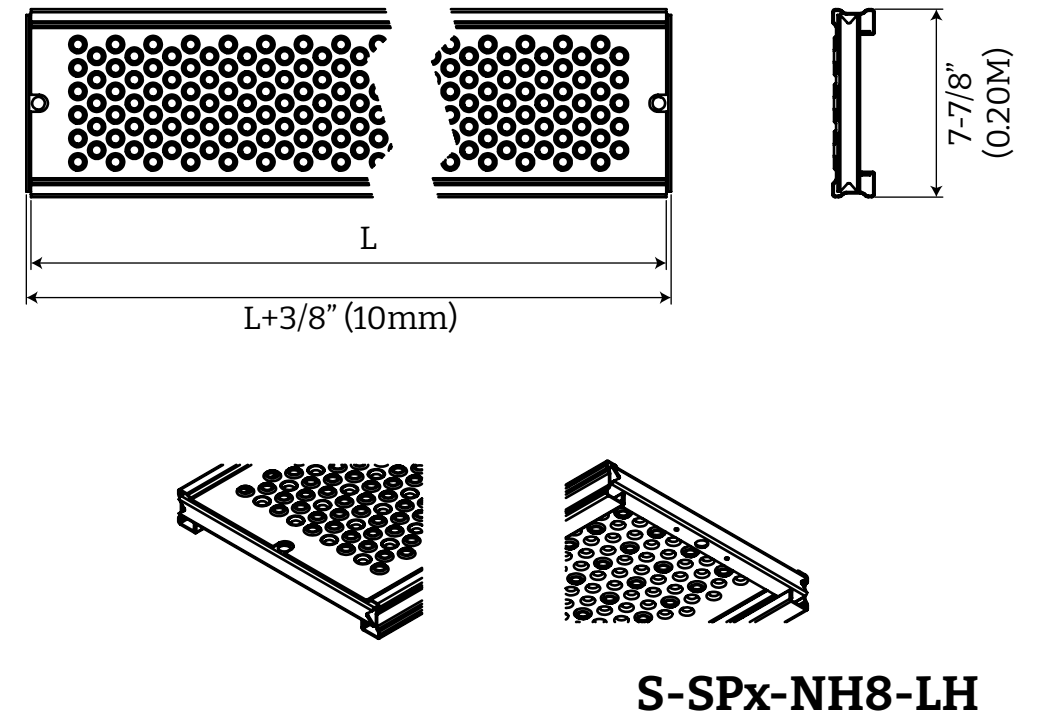


Item Number	Description	L - Length		Weight	
		In	M	Lbs	Kg
S-SPM1000-NH-LH	V-Gap Cover 11-3/4" (0.3M) Wide, 1.0M Long	39 3/8	1	12.2	5.5
S-SPM1500-NH-LH	V-Gap Cover 11-3/4" (0.3M) Wide, 1.5M Long	59	1.5	17.7	8.0
S-SPM2000-NH-LH	V-Gap Cover 11-3/4" (0.3M) Wide, 2.0M Long	78 3/4	2	23.2	10.5
S-SPM2500-NH-LH	V-Gap Cover 11-3/4" (0.3M) Wide, 2.5M Long	98 3/8	2.5	28.7	13.0

Continued from previous page

V-GAP COVERS (CONTINUED)

7-7/8" (0.2M) WIDE



Item Number	Description	L - Length		Weight	
		In	M	Lbs	Kg
S-SPM1000-NH8-LH	V-Gap Cover 7-7/8" (0.2M) Wide, 1.0M Long	39 3/8	1	10.4	4.7
S-SPM1500-NH8-LH	V-Gap Cover 7-7/8" (0.2M) Wide, 1.5M Long	59	1.5	15.2	6.9
S-SPM2000-NH8-LH	V-Gap Cover 7-7/8" (0.2M) Wide, 2.0M Long	78 3/4	2	19.9	9.0
S-SPM2500-NH8-LH	V-Gap Cover 7-7/8" (0.2M) Wide, 2.5M Long	98 3/8	2.5	24.8	11.2

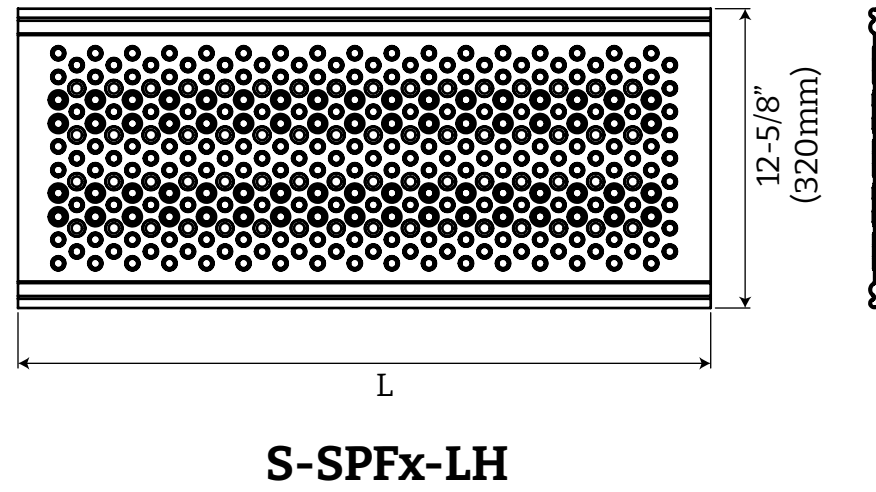
STEPUP - RINGLOCK

STEPUP - RINGLOCK

Continued on next page

PLANK FILLERS

STEPUP - RINGLOCK



S-SPFx-LH

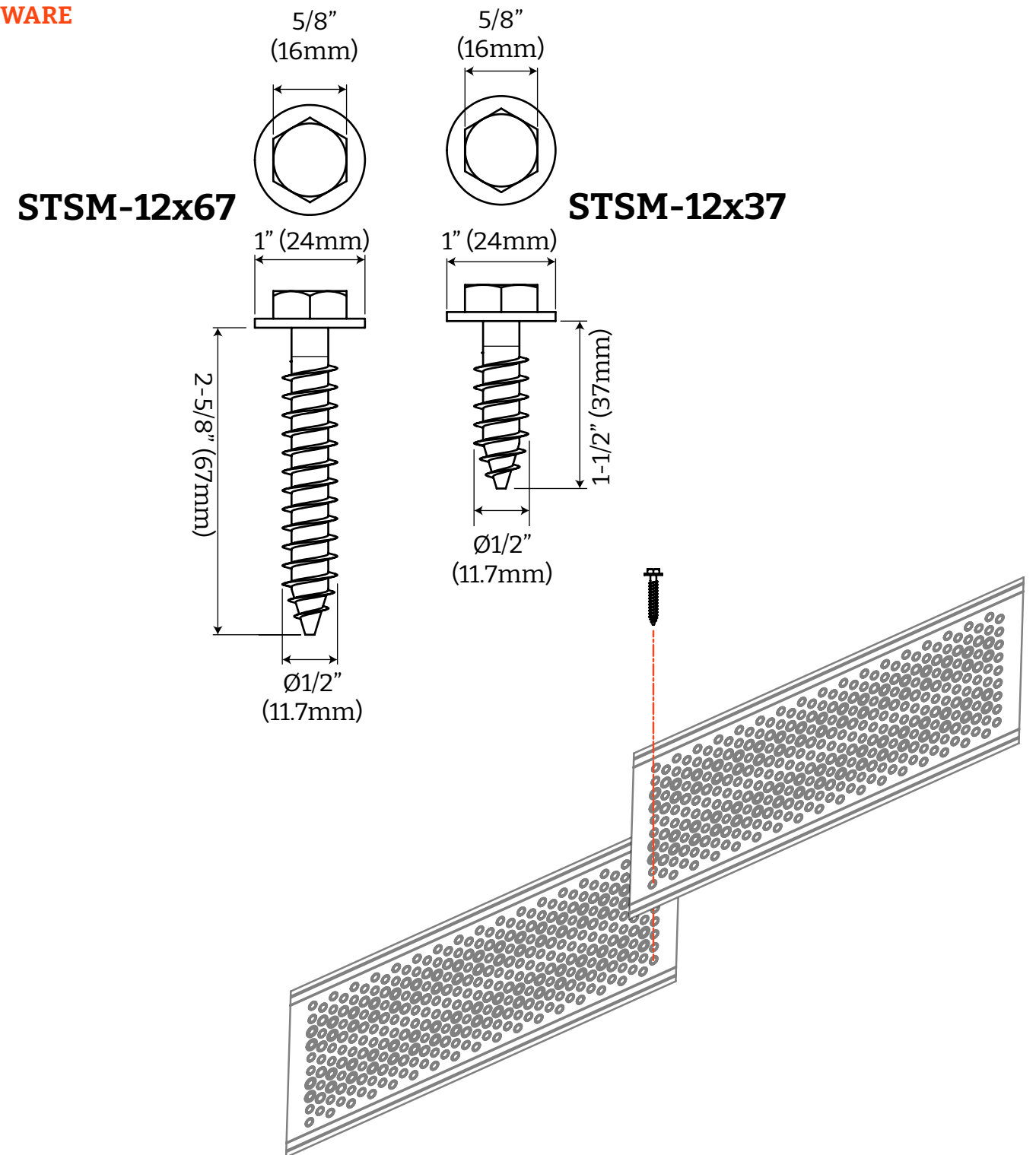
Item Number	Description	L - Length		Weight	
		In	mm	Lb.	Kg
S-SPF33-LH	Plank Filler - 3' 3"	33 1/4	845	6.8	3.1
S-SPF7-LH	Plank Filler - 7'	78 1/8	1,984	15.8	7.2
S-SPFM0855-LH	Plank Filler - 0.855M (2' 10")	27 7/8	708	5 5/8	2.6
S-SPFM1286-LH	Plank Filler - 1.286M (4' 3")	44 7/8	1,139	9.1	4.1
S-SPFM1572-LH	Plank Filler - 1.572M (5' 2")	56 1/8	1,425	11.4	5.2
S-SPFM2572-LH	Plank Filler - 2.572M (8' 6")	95 5/8	2,428	19.3	8.8

Other sizes available. Contact your STEPUP Agent for information.

PLANK FILLERS (CONTINUED)

HARDWARE

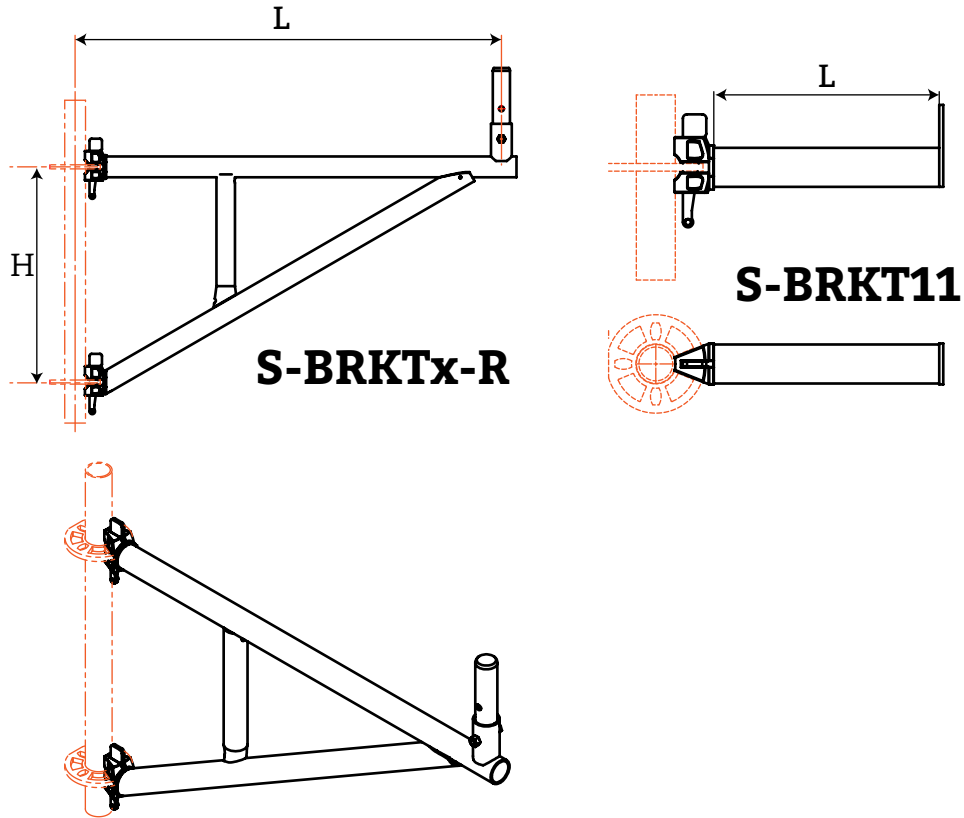
STEPUP - RINGLOCK



Continued on next page

BOARD BRACKETS

STEPUP - RINGLOCK



Item Number	Description	L		H		Weight	
		In.	mm	In.	mm	Lbs	Kg
S-BRKT11	Board Bracket (Dog Bone) - 11"	11	279	-	-	3.9	1.8
S-BRKT2-R	Board Bracket - 2'	24	610	11	280	11.8	5.4
S-BRKT3-R	Board Bracket - 2'8"	32 1/4	818	11	280	15.1	6.8
S-BRKT36-R	Board Bracket - 3'	36	914	11	280	14.6	6.6
S-BRKT33-R	Board Bracket - 3'3"	39	991	19 5/8	500	19.1	8.7
S-BRKT0390-R	Board Bracket - 0.390M (15")	15 3/8	390	8 1/8	205	8.4	3.8
S-BRKT0650-R	Board Bracket - 0.650M (2' 2")	25 5/8	650	11	280	12.3	5.6
S-BRKT0732-R	Board Bracket - 0.732M (2' 5")	28 7/8	732	11	280	12.8	5.8
S-BRKT0885-R	Board Bracket - 0.885M (2' 11")	34 7/8	885	11	280	14.5	6.6
S-BRKT1090-R	Board Bracket - 1.090M (3' 7")	42 7/8	1,090	13 7/8	354	17.4	7.9
S-BRKT1150-R	Board Bracket - 1.150M (3' 9")	45 1/4	1,150	19 5/8	500	20.3	9.2

Atlanta: 770.577.4222
Houston: 713.678.8877

Updated: February 2024

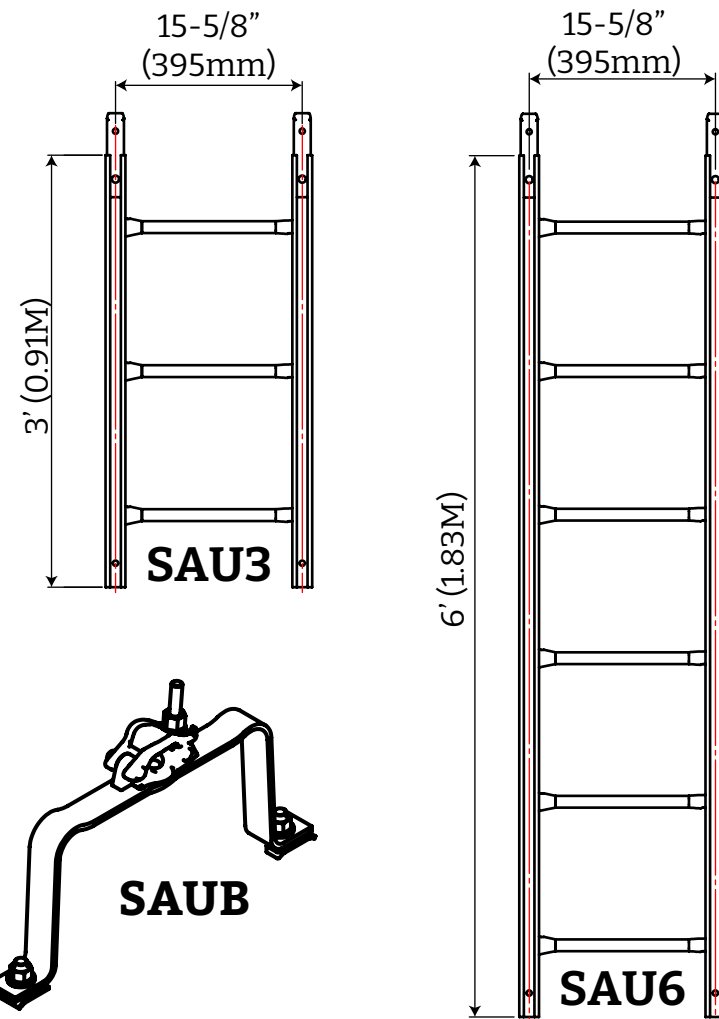
www.stepupscaffold.com

Los Angeles: 562.907.7837
New York: 718.456.3218



LADDERS & BRACKETS

STANDARD LADDER & BRACKET



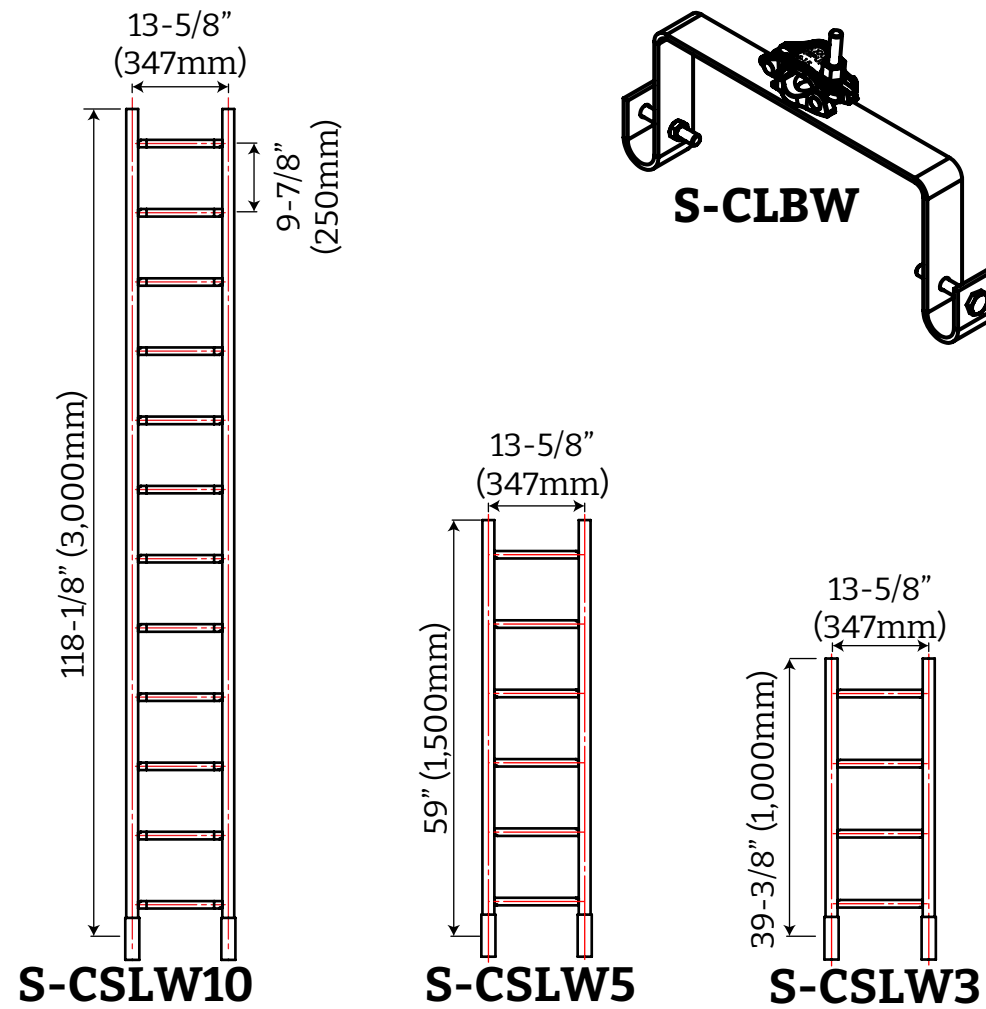
Item Number	Description	Effective Height		Weight	
		Ft	M	Lbs	Kg
SAU3	3' Ladder	3	0.914	10.3	4.7
SAU6	6' Ladder	6	1.829	19.5	8.9
SAUB	Ladder Bracket	-	-	6.0	2.7

STEPUP - RINGLOCK

Continued from previous page

LADDERS & BRACKETS (CONTINUED)

TUBULAR LADDER & BRACKET



Item Number	Description	H		Weight	
		In.	mm	Lbs	Kg
S-CSLW3*	3' Universal System Ladder	39 3/8	1,000	16.1	7.3
S-CSLW5*	5' Universal System Ladder	59	1,500	23.3	10.6
S-CSLW10*	10' Universal System Ladder	118 1/8	3,000	45.0	20.4
S-CLBW	Universal System Ladder Bracket	-	-	6.7	3.1

* Universal System Ladders are available with slip grip. Contact your STEPUP Agent for details.

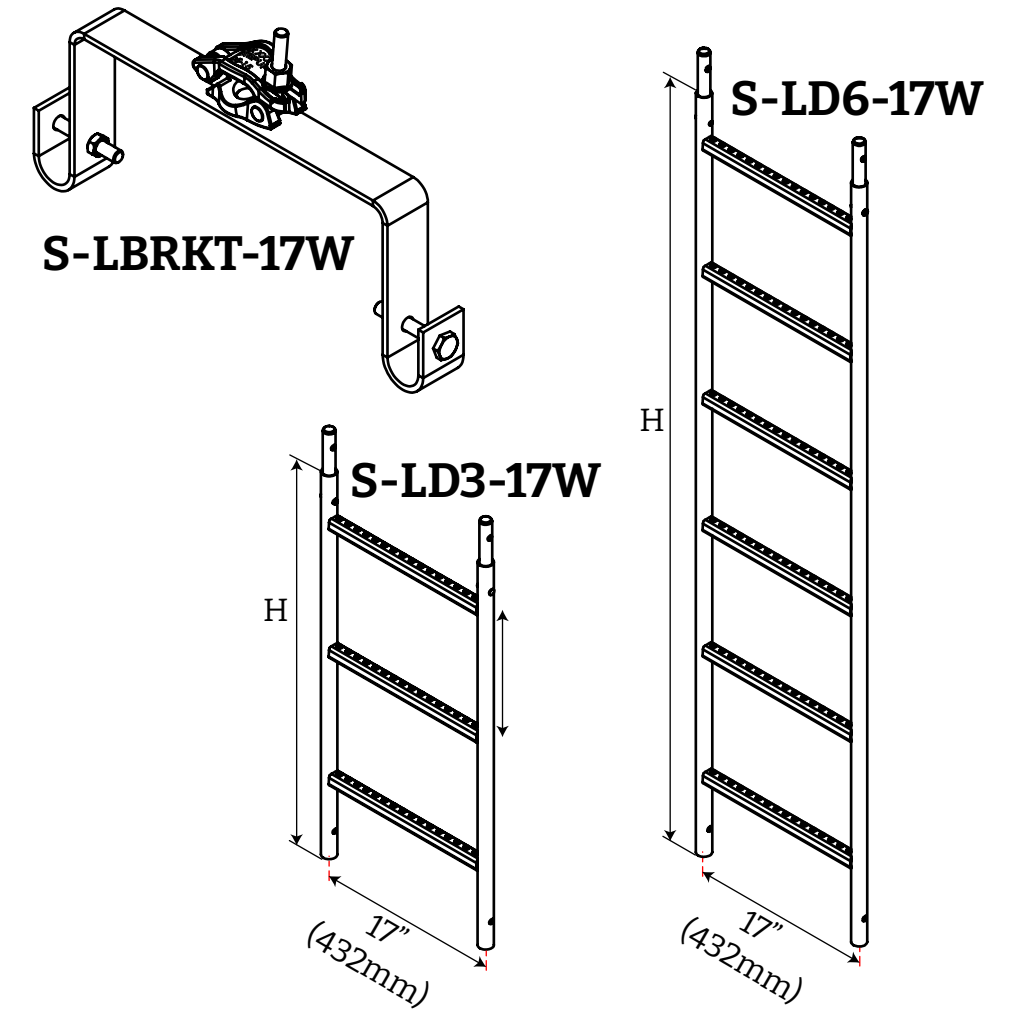
STEPUP - RINGLOCK

Continued on next page



LADDERS & BRACKETS (CONTINUED)

17" WIDE LADDER & BRACKET



Item Number	Description	H		Weight	
		In.	mm	Lbs	Kg
S-LD3-17W	17" Wide Ladder - 3'	36	914	10.2	4.6
S-LD6-17W	17" Wide Ladder - 6'	72	1,829	19.3	8.7
S-LBRKT-17W	17" Wide Ladder Bracket - 7 1/4" Deep	-	-	7.1	3.2

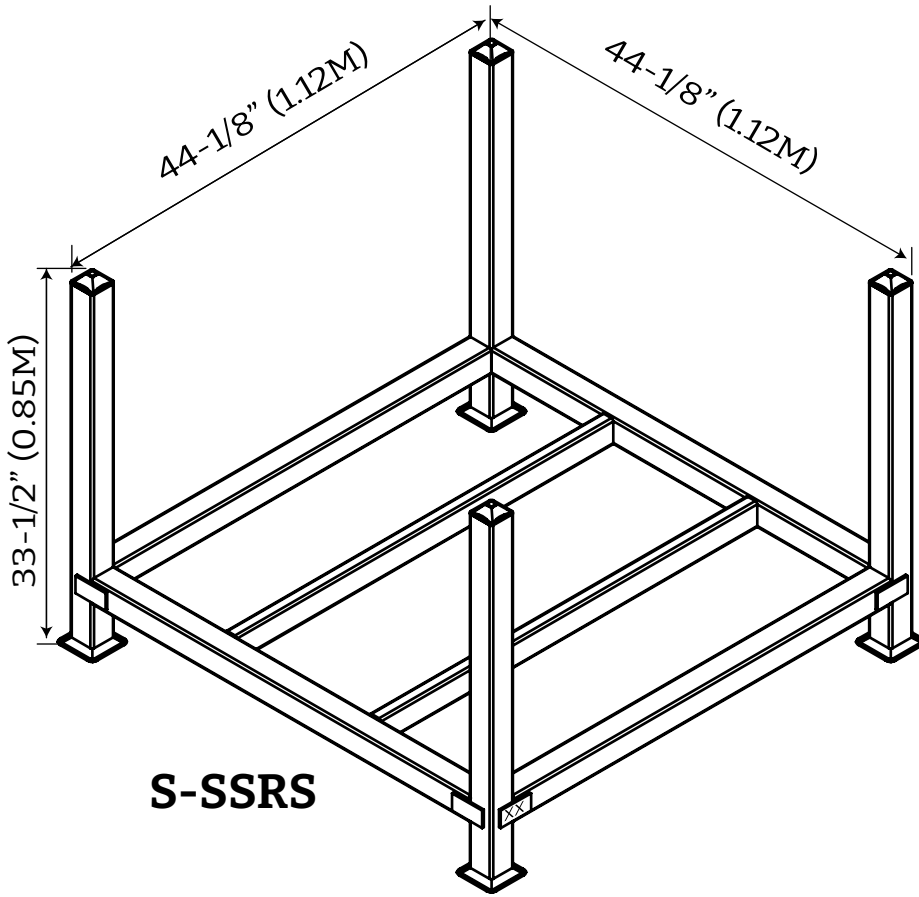
Continued on next page



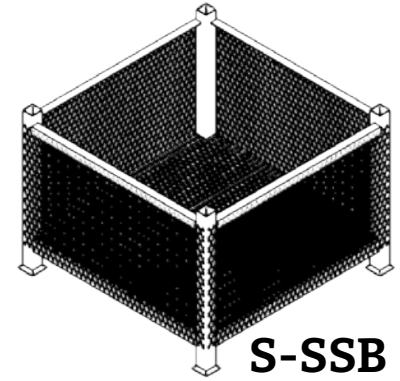
Continued on next page

SCAFFOLD STORAGE

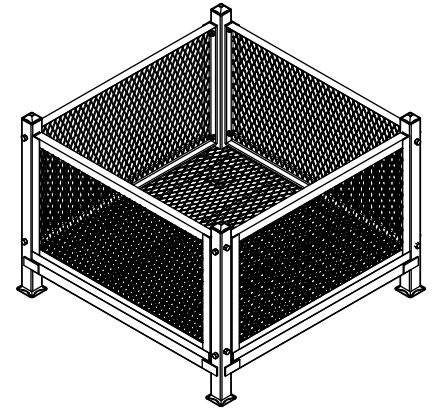
STEPUP - RINGLOCK



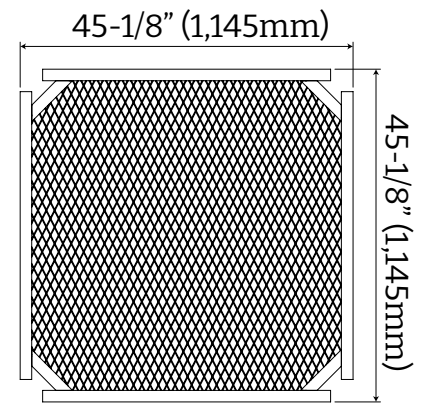
S-SSRS



S-SSB



S-SSB-CB



S-SSRS-MB

Overall dimensions apply to all storage racks and bins.

Item Number	Description	Weight	
		Lbs	Kg
S-SSRS	System Scaffold Rack	102.8	46.6
S-SSB	System Scaffold Basket	173.5	78.7
S-SSB-CB	Convertible System Scaffold Basket with Hooked Side Panels	235.2	106.7
S-SSRS-MB	Mesh base for S-SSRS	37.1	16.8

Atlanta: 770.577.4222
Houston: 713.678.8877

Los Angeles: 562.907.7837
New York: 718.456.3218

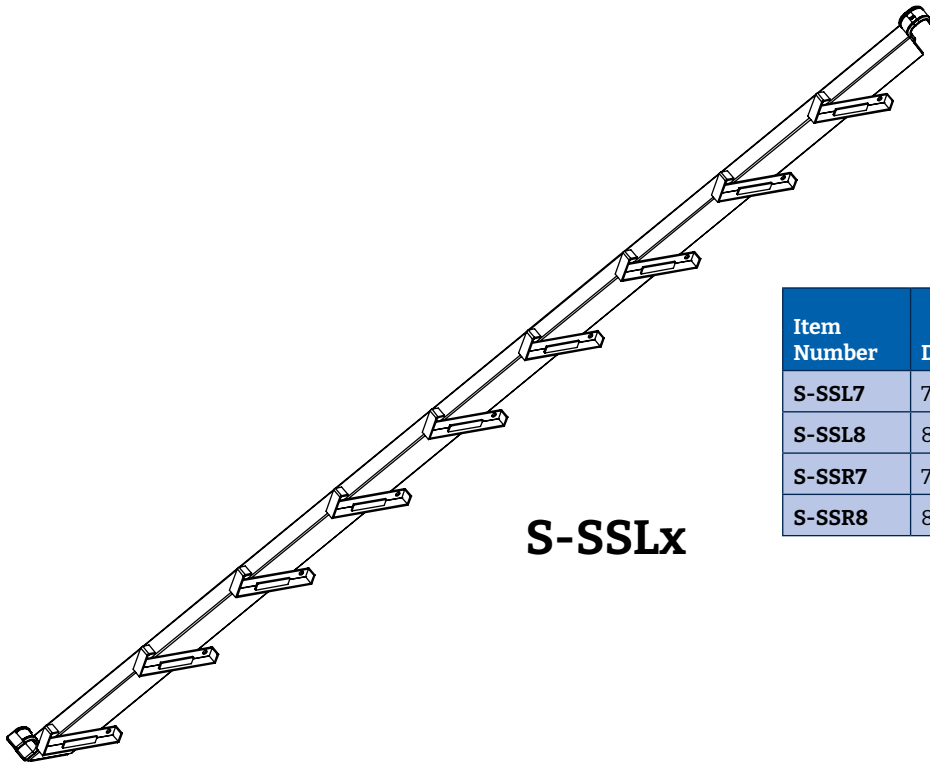
Updated: February 2024

www.stepupsccaffold.com



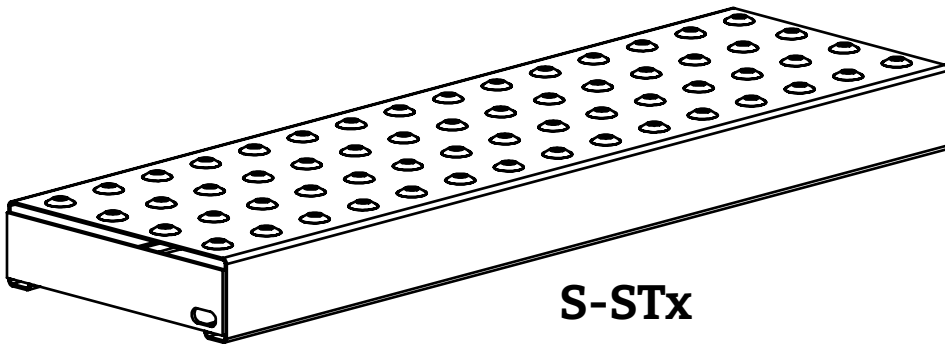
STAIR STRINGERS & TREADS

STEPUP - RINGLOCK



S-SSLx

Item Number	Description	Weight	
		Lbs	Kg
S-SSL7	7' Left Stair Stringer	49.9	22.7
S-SSL8	8' Left Stair Stringer	54.3	24.6
S-SSR7	7' Right Stair Stringer	49.9	22.7
S-SSR8	8' Right Stair Stringer	54.3	24.6

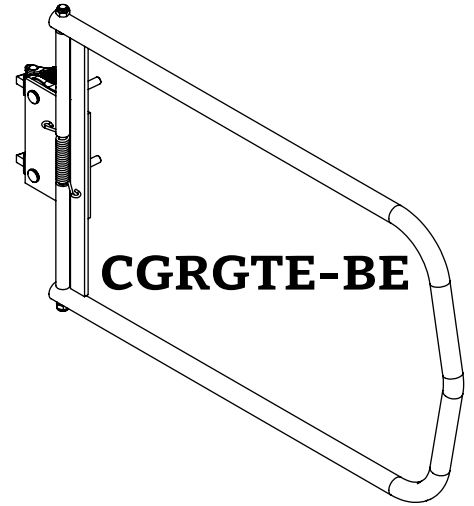
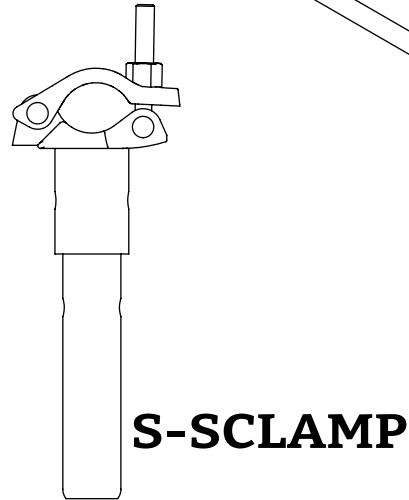
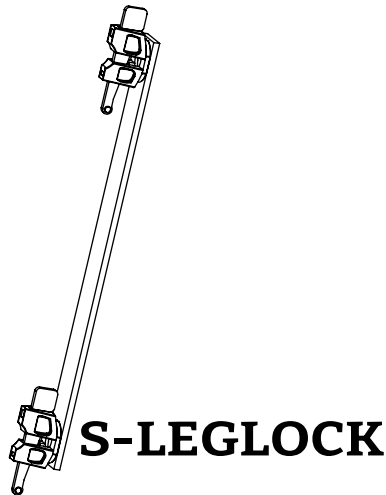
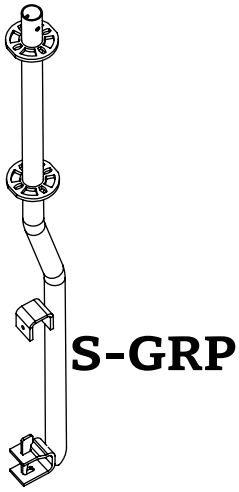
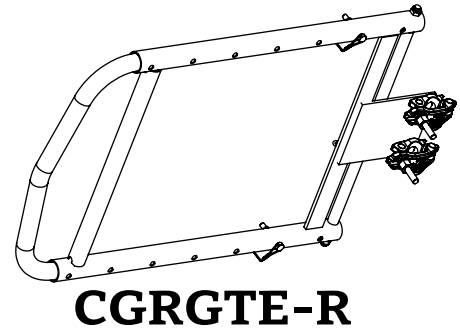
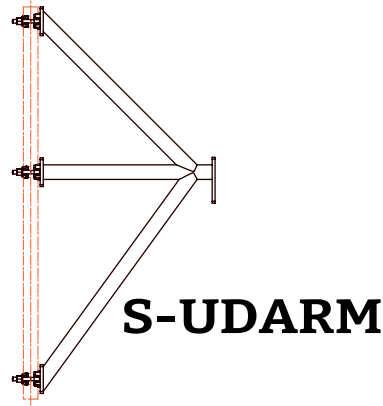
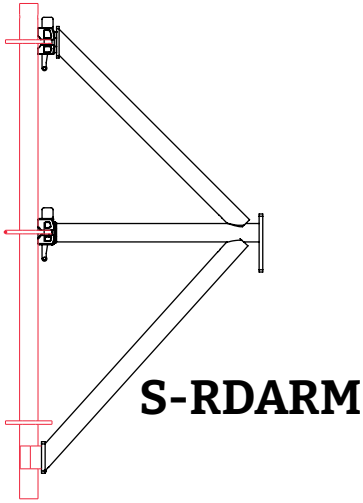


S-STx

Item Number	Description	Weight	
		Lbs	Kg
S-ST30	Stair Tread - 30"	10.8	4.9
S-ST36	Stair Tread - 36"	12.7	5.8
S-ST42	Stair Tread - 42"	14.6	6.6

ACCESSORIES

STEPUP - RINGLOCK



Item Number	Description	Weight	
		Lb.	Kg
S-RDARM	Ringlock Davit Arm	22.4	10.2
S-UDARM	Universal Davit Arm	24.7	11.2
CGRGTE-BE	Fixed Scaffold Swing Gate	18.0	8.2
CGRGTE-R	Adjustable Scaffold Swing Gate - 1.69"	29.1	13.2
S-GRP	System Guard Rail Post	17.8	8.1
S-LEGLOCK	Ringlock Suspended Connector	7.6	3.5
S-SCLAMP	Spigot Clamp	4.3	2.0

Atlanta: 770.577.4222
Houston: 713.678.8877

Los Angeles: 562.907.7837
New York: 718.456.3218

Updated: February 2024

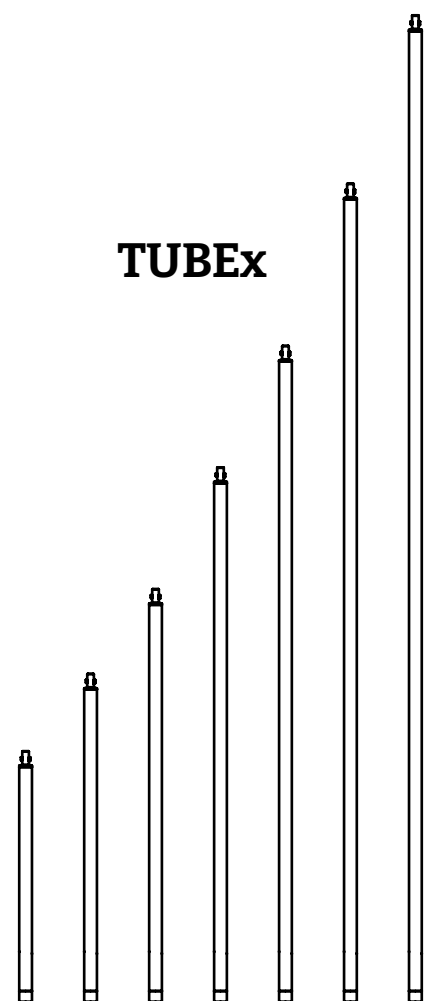
www.stepupscaffold.com



TUBE & CLAMP

TUBES

STEPUP - RINGLOCK



Item Number	Description	Weight	
		Lbs	Kg
TUBE2*	Tube with End Fitting - 2'	6.0	2.7
TUBE4	Tube with End Fitting - 4'	9.7	4.4
TUBE6	Tube with End Fitting - 6'	13.2	6.0
TUBE8	Tube with End Fitting - 8'	17.0	7.7
TUBE10	Tube with End Fitting - 10'	20.5	9.3
TUBE13	Tube with End Fitting - 13'	26.0	11.8
TUBE16	Tube with End Fitting - 16'	31.3	14.2
TUBE20*	Tube with End Fitting - 20'	38.9	17.6
TUBE24*	Tube with End Fitting - 24'	46.2	21.0

Item Number	Description	Weight	
		Lbs	Kg
TUBEM0250*	Tube with End Fitting - 0.25M (10")	3.9	1.8
TUBEM0500*	Tube with End Fitting - 0.50M (1' 8")	5.4	2.4
TUBEM1000*	Tube with End Fitting - 1.00M (3' 3")	8.4	3.8
TUBEM1500*	Tube with End Fitting - 1.50M (4' 11")	11.4	5.2
TUBEM2000*	Tube with End Fitting - 2.00M (6' 7")	14.4	6.5
TUBEM2500*	Tube with End Fitting - 2.50M (8' 2")	17.4	7.9
TUBEM3000*	Tube with End Fitting - 3.00M (9' 10")	20.3	9.2
TUBEM4000*	Tube with End Fitting - 4.00M (13' 1")	26.3	11.9

* Special order item. Contact your STEPUP Agent.

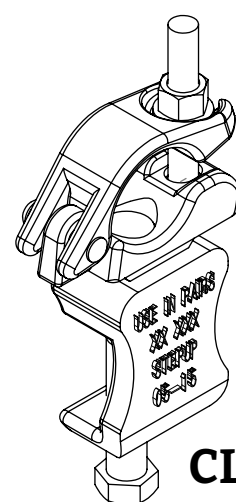
Continued on next page

Continued from previous page

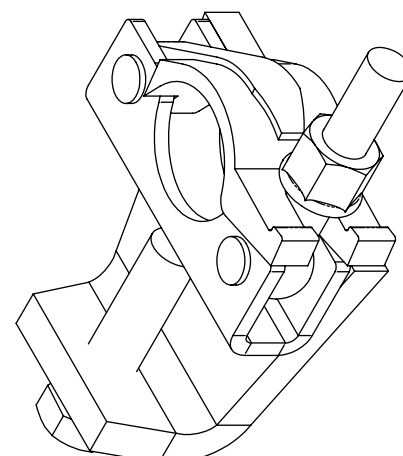
TUBE & CLAMP (CONTINUED)

CLAMPS

STEPUP - RINGLOCK



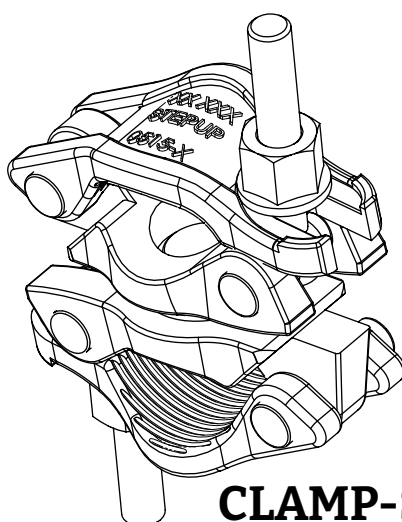
CLAMP-IBTC-S



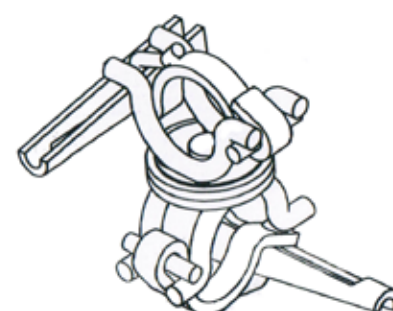
CLAMP-IBTC



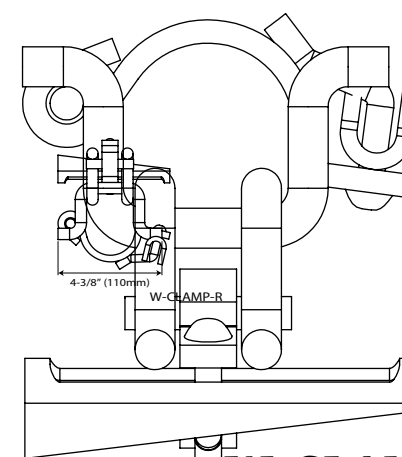
S-CLAMPR



CLAMP-S



W-CLAMP-S



W-CLAMP-R

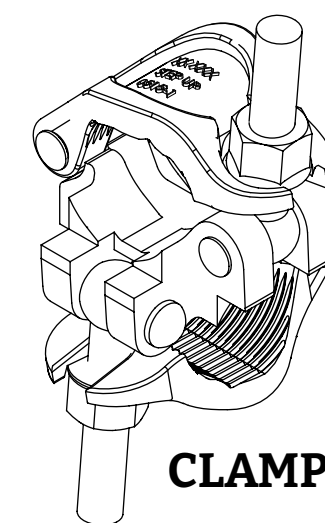
Continued on next page

Continued from previous page

TUBE & CLAMP (CONTINUED)

CLAMPS (Continued)

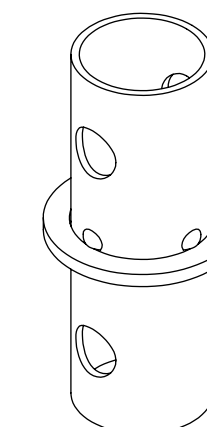
STEPUP - RINGLOCK



CLAMP-R



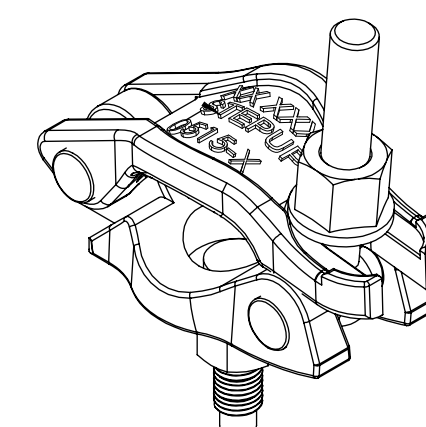
CLAMP-JP-P



S-CP



S-RCP



CLAMP-HN

Item Number	Description	Weight	
		Lbs	Kg
CLAMP-IBTC-S	Pipe to Beam Clamp - Swivel Type	3.3	1.5
CLAMP-IBTC	I-Beam Tube Clamp	3.6	1.6
CLAMP-R	Right Angle Clamp	3.4	1.6
CLAMP-S	Drop Forged Swivel Coupler-UK Style	3.8	1.7
W-CLAMP-S	Swivel Wedge Clamp	3.6	1.6
W-CLAMP-R	Right Angle Wedge Clamp	3.2	1.5
S-CLAMPR	Clamp on Rosette Bolt Style	2.9	1.3
S-RCP	Ring Vertical Rosette Coupler/Double Wedge Head Coupler	2.2	1.0
CLAMP-JP-P	Pressed Steel Joint Pin	1.6	0.7
S-CP	Ringlock System Coupling Pin with Bolt/Nut	1.0	0.5
CLAMP-HN	Half Clamp with 5/8" Central Nut and Bolt	2.0	0.9

NOTES

STEPUP - RINGLOCK



Glasgow, Scotland

Copenhagen, Denmark

**Atlanta, Houston,
Los Angeles, New York,
and Memphis, USA**

**Medellín and
Barranquilla,
Colombia**

LET STEPUP HELP YOU GROW YOUR BUSINESS

STEPUP Scaffold, a division of Sunshine Enterprises, started in 1998 and quickly became one of the largest importers, and manufacturers of scaffolding and access equipment in the North American market. Throughout the years, STEPUP Scaffold has continued to diversify our product lines and

capabilities to meet the needs of our customers and the industries we serve. We have focused our business structure to best serve scaffolding companies and contractors, helping them to grow their businesses.



STEPUP