

# STEPUP FRAME & BRACE CATALOG



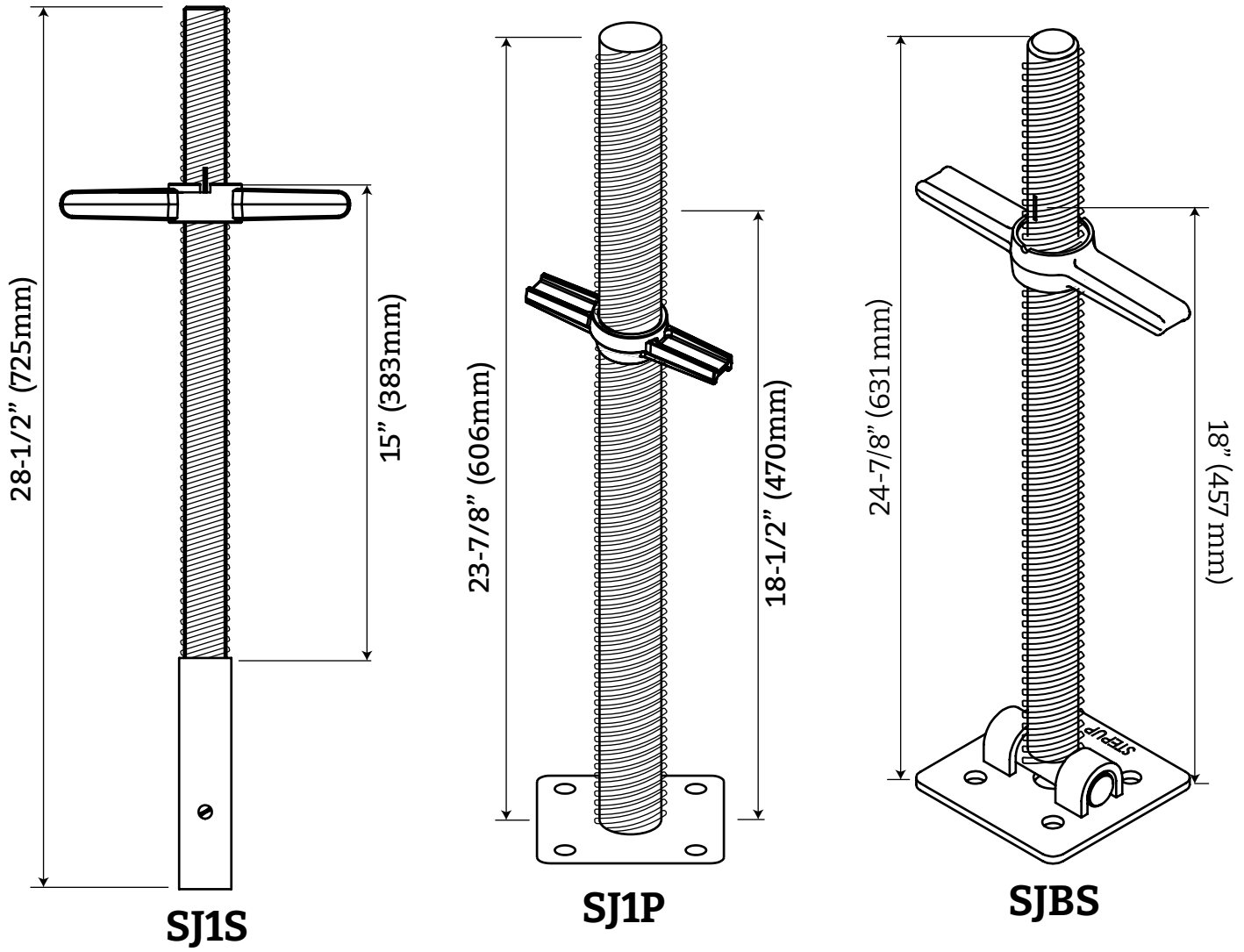
STEPUP

# FRAME & BRACE SCAFFOLD

GALVANIZED SCREW JACKS.....	3
BASE PLATES .....	4
CASTERS .....	5
WALK THRU FRAMES .....	6
NARROW FRAMES.....	10
MASON FRAMES .....	11
BOX FRAMES .....	12
PUTLOGS.....	13
PUTLOG HANGERS.....	14
PUNCH HOLE CROSS BRACES.....	15
SNAP-ON CROSS BRACES .....	16
PLANKING .....	17
GOOSERS .....	19
END RAIL HOOKED .....	20
GUARD RAILS.....	21
GUARD RAIL POSTS .....	23
LOCKING & COUPLING PINS.....	24
BRACKETS .....	26
SIDE BRACKETS .....	26
END BRACKETS.....	27
INTERNAL STAIRWAY UNITS .....	28
EXTERNAL ACCESS LADDERS .....	29
MULTIFUNCTION SCAFFOLDING .....	30
FOLDING TRESTLE .....	32
MORTAR BOARD STAND .....	33
SCAFFOLD NETTING & TARP.....	34
OTHER ACCESSORIES .....	35
TUBE & CLAMP.....	36
SPECIAL ORDERS.....	39

# GALVANIZED SCREW JACKS

# STEPUP - FRAME & BRACE



Item Number	Description	Weight	
		Lbs	Kg
<b>SJ1S</b>	24" Screw Jack with Socket, 15" Adjustable	14.0	6.4
<b>SJ1P</b>	24" Screw Jack with Base Plate, 18" Adjustable	13.7	6.2
<b>SJBS</b>	24" Screw Jack with Swivel Base Plate	14.9	6.8

Atlanta: 770.577.4222  
Houston: 713.678.8877

Los Angeles: 562.907.7837  
New York: 718.456.3218

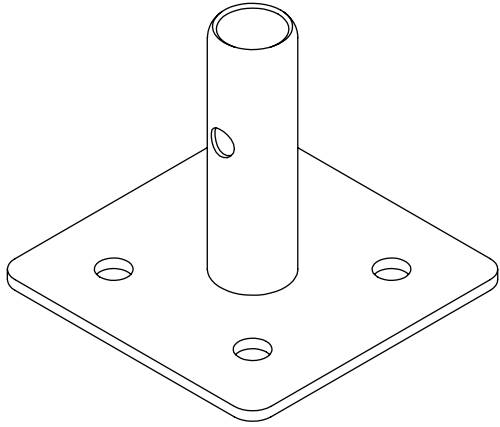
Updated February 2024

[www.stepupscaffold.com](http://www.stepupscaffold.com)

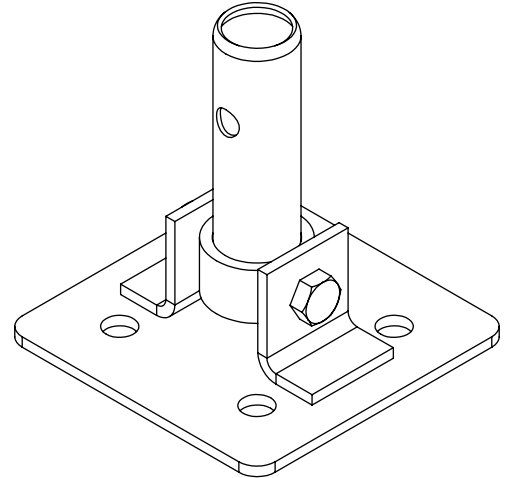


# BASE PLATES

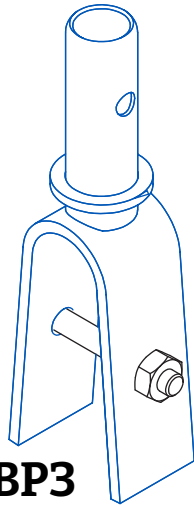
# STEPUP - FRAME & BRACE



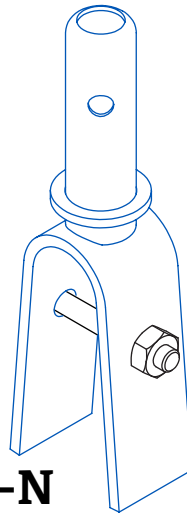
**BP1**



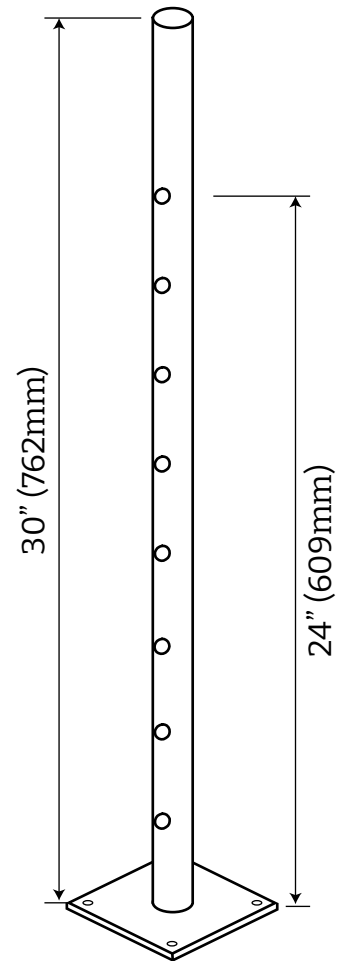
**BP2**



**BP3**



**BP3-N**

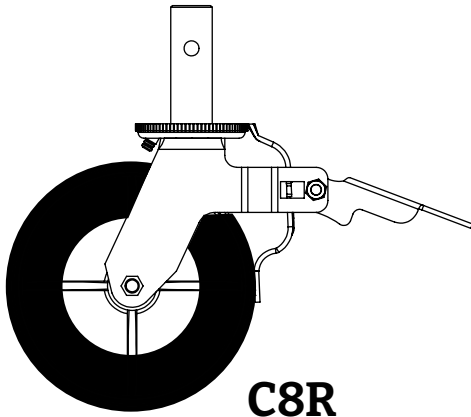
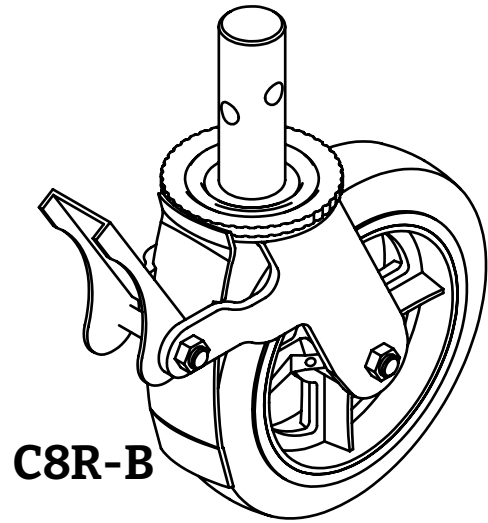
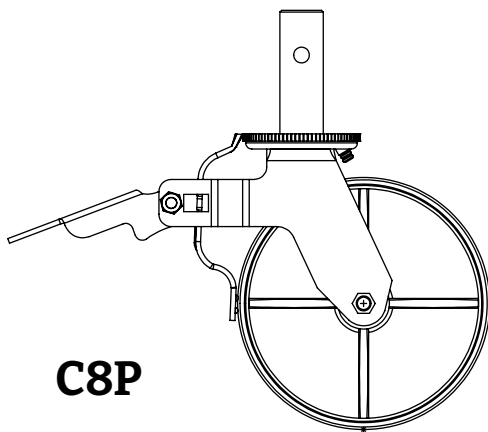
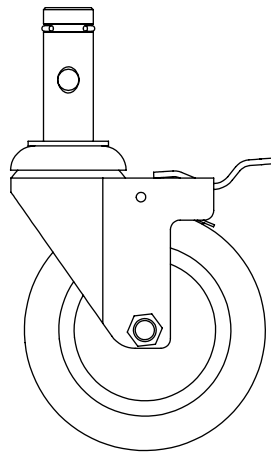
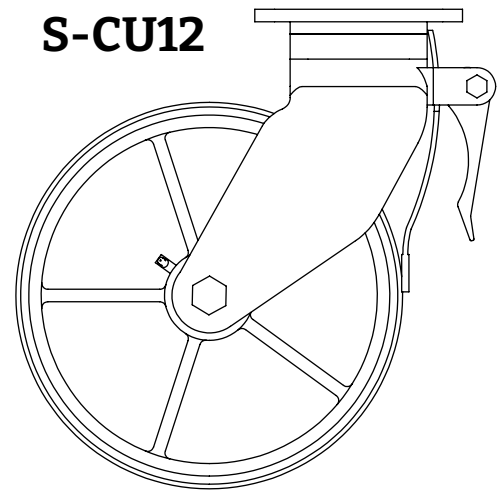


**BP-E24**

Item Number	Description	Weight	
		Lbs	Kg
BP1	Fixed Base Plate	2.0	0.9
BP2	Swivel Base Plate	3.1	1.4
BP3	Curved Base Plate	2.4	1.1
BP3-N	Curved Base Plate - NY Style	2.6	1.2
BP-E24	24" Extension Base Plate	4.1	1.9

## CASTERS

## STEPUP - FRAME &amp; BRACE

**C8R****C8R-B****C8P****C5R-HJ****S-CU12**

Item Number	Description	Weight	
		Lb.	Kg
<b>C8R-A</b>	8" Rubber Wheel Caster, One Hole	10.2	4.7
<b>C8R-B</b>	8" Rubber Wheel Caster, Two Hole	10.2	4.7
<b>C5R-HJ</b>	5" Scaffold Caster, HJ Style	3.4	1.5
<b>C5R-S</b>	5" Rubber Wheel Caster, Square Stem	4.2	1.9
<b>C8P</b>	8" Iron Wheel Caster, 1,000 lbs. Rating	13.4	6.1
<b>S-CU12</b>	12" System Caster - Urethane	39.7	18.0

Atlanta: 770.577.4222  
Houston: 713.678.8877

Updated February 2024

[www.stepupscaffold.com](http://www.stepupscaffold.com)

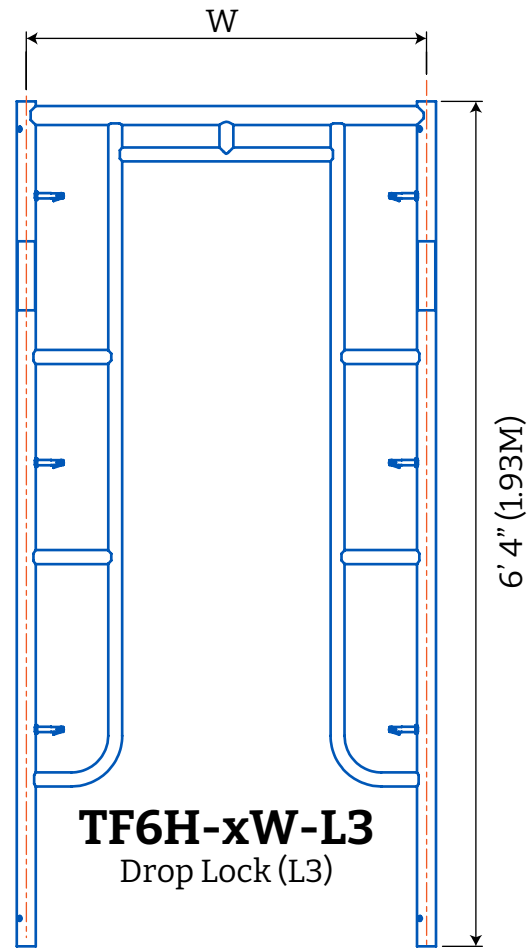
Los Angeles: 562.907.7837  
New York: 718.456.3218



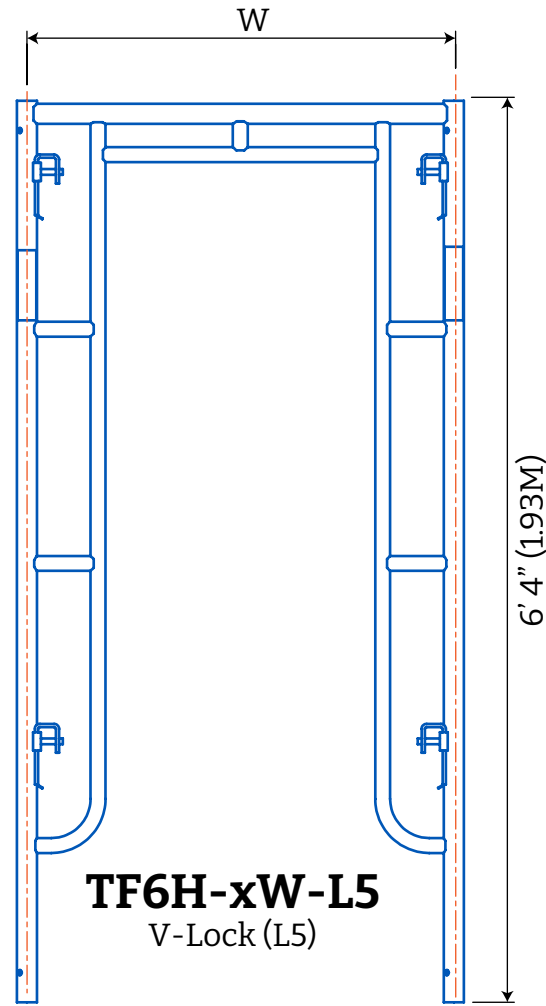
# WALK THRU FRAMES

## V-LOCK & DROP LOCK

STEPUP - FRAME & BRACE



**TF6H-xW-L3**  
Drop Lock (L3)



**TF6H-xW-L5**  
V-Lock (L5)

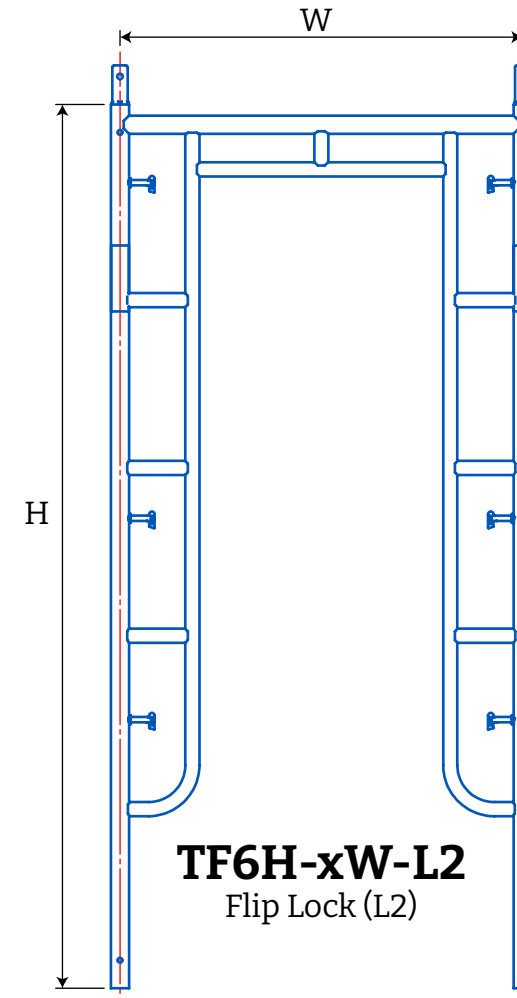
Item Number	Description	W		OD Tube		T - Top Lock Space		Weight		Inventory Location
		in	mm	in	mm	in	mm	Lbs	Kg	
TF6H-3W-L3	Walk Thru Frame 6' 4" x 3' Drop Lock	36	914	1.69	43	8 1/2	216	39.8	18.1	HOU/ATL
TF6H-5W-L3	Walk Thru Frame 6' 4" x 5' Drop Lock	60	1,524	1.69	43	8 1/2	216	44.8	20.3	HOU/ATL
TF6H-42W-L3	Walk Thru Frame 6' 4" x 42" Drop Lock	42	1,067	1.69	43	8 1/2	216	40.9	18.6	HOU/ATL
TF6H-3W-L5	Walk Thru Frame 6' 4" x 3' V-Lock	36	914	1.69	43	6	152	40.8	18.5	NYC
TF6H-42W-L5	Walk Thru Frame 6' 4" x 42" V-Lock	42	1,067	1.69	43	6	152	41.5	18.8	NYC
TF6H-5W-L5-N	Walk Thru Frame 6' 4" x 5' V-Lock	60	1,524	1.69	43	6	152	47.1	21.4	NYC

Continued on next page

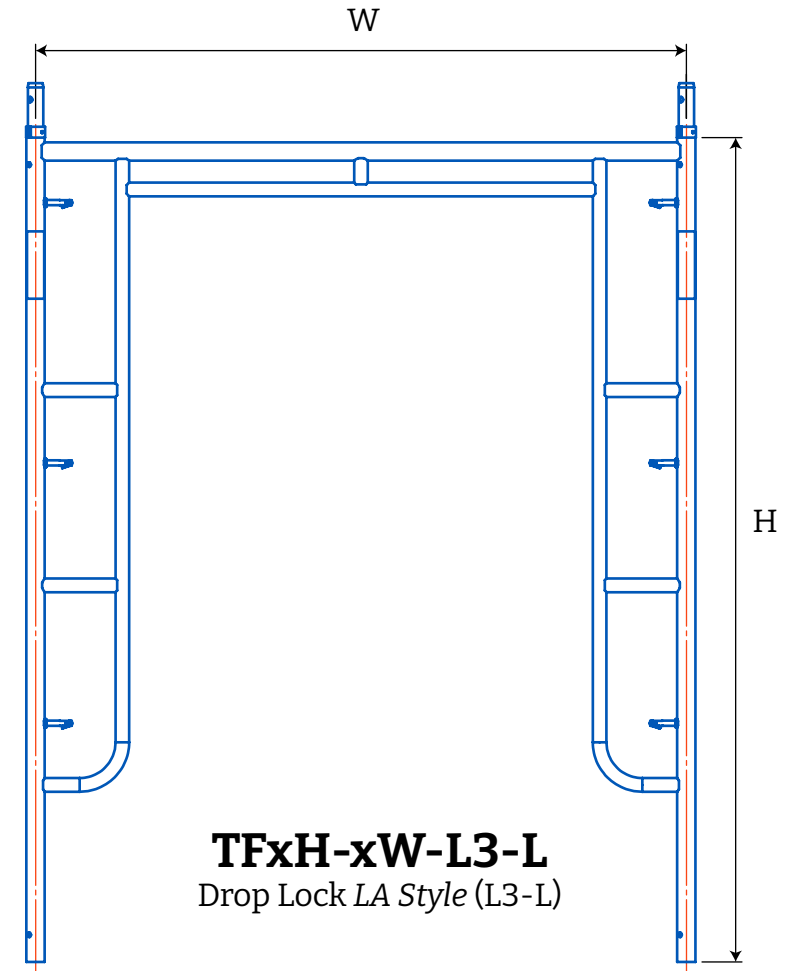
Continued from previous page

# WALK THRU FRAMES (CONTINUED)

## FLIP LOCK & DROP LOCK LA STYLE



**TF6H-xW-L2**  
Flip Lock (L2)



**TFxH-xW-L3-L**  
Drop Lock LA Style (L3-L)

STEPUP - FRAME & BRACE

Item Number	Description	H		W		OD Tube		Top Hole Space		T - Top Lock Space		Weight	
		in	mm	in	mm	in	mm	in	mm	in	mm	Lbs	Kg
TF6H-5W-L2	Walk Thru Frame 6' 7" x 5' Flip Lock (CP & SC included)	79	2,007	60	1,524	1.625	41	2 1/2	63	7 1/4	184	47.6	21.58
TF6H-5W-L2-M	Walk Thru Frame 6' 7" x 5' Flip Lock (Mighty Style)	79	2,007	60	1,524	1.625	41	2 1/2	63	12 1/4	311	47.1	21.4
TF6H-3W-L2	Walk Thru Frame 6' 7" x 3' Flip Lock (CP & SC included)	79	2,007	36	914	1.625	41	2 1/2	63	7 1/4	184	41.6	18.87
TF5H-3W-L3-L	Walk Thru Frame 5' x 3' Drop Lock (LA Style)	60	1,524	36	914	1.69	43	2 1/2	63	6	152	35.9	16.28
TF6H-3W-L3-L	Walk Thru Frame 6' 4" x 3' Drop Lock (LA Style)	76	1,930	36	914	1.69	43	2 1/2	63	6	152	41.8	18.96
TF6H-5W-L3-L	Walk Thru Frame 6' 4" x 5' Drop Lock (LA Style)	76	1,930	60	1,524	1.69	43	2 1/2	63	6	152	47.8	21.7

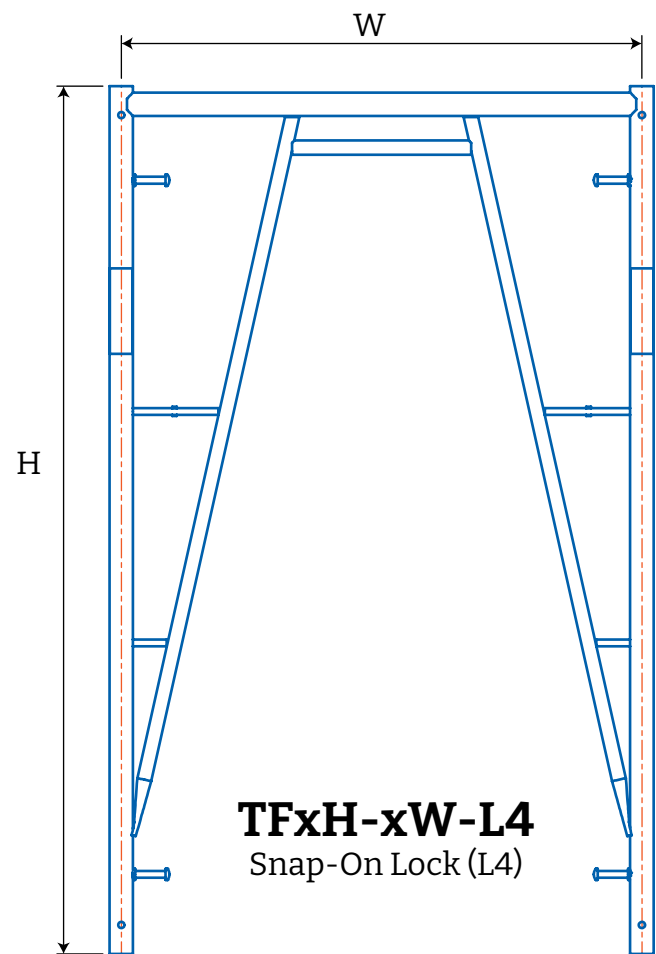
All inventory except TF6H-5W-L2-M (Mighty Style) maintained in Los Angeles warehouse.

Mighty Style Frame inventory maintained in Atlanta. Call for availability and complete specifications.

Continued on next page

# WALK THRU FRAMES (CONTINUED)

## SNAP-ON STYLE



STEPUP - FRAME & BRACE

Item Number	Description	H		W		OD Tube		Top Hole Space		T - Top Lock Space		Weight	
		in	mm	in	mm	in	mm	in	mm	in	mm	Lbs	Kg
TF5H-3W-L4	Walk Thru Frame 5' x 3' Snap-On Lock (CP & RP included)	60	1,524	36	914	1.625	41	2	51	6 1/2	165	28.3	12.9
TF6H-2W-L4	Walk Thru Frame 6' 8" x 2' Snap-On Lock (CP & RP included)	80	2,032	24	610	1.625	41	2	51	6 1/2	165	32.9	14.9
TF6H-3W-L4	Walk Thru Frame 6' 8" x 3' Snap-On Lock (CP & RP included)	80	2,032	36	914	1.625	41	2	51	6 1/2	165	34.9	15.8
TF6H-5W-L4	Walk Thru Frame 6' 8" x 5' Snap-On Lock (CP & RP included)	80	2,032	60	1,524	1.625	41	2	51	6 1/2	165	42.5	19.3
TF7H-5W-L4	Walk Thru Frame 7' 6" x 5' Snap-On Lock (CP & RP included)	90	2,286	60	1,524	1.625	41	2	51	12	305	55.6	25.2

Inventory maintained in Los Angeles warehouse only.

Continued on next page

Atlanta: 770.577.4222  
Houston: 713.678.8877

Updated February 2024

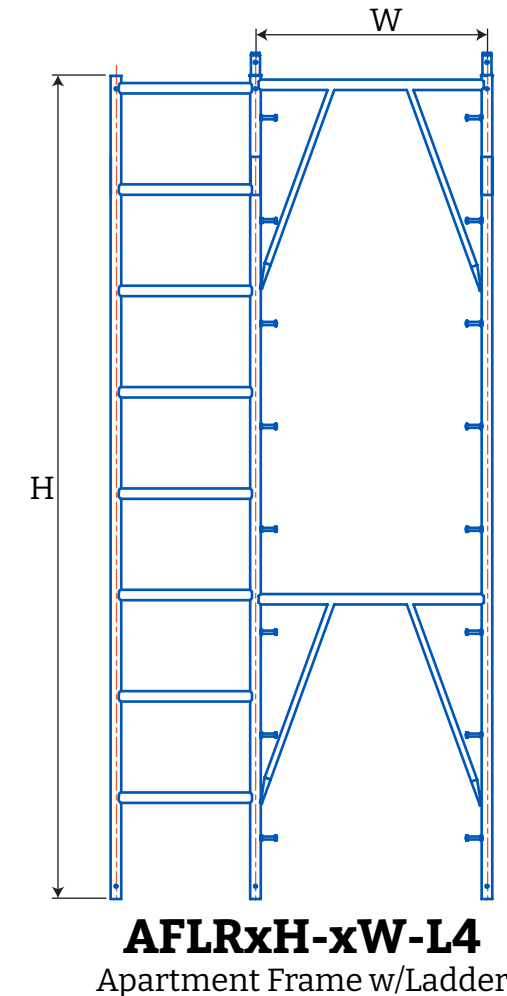
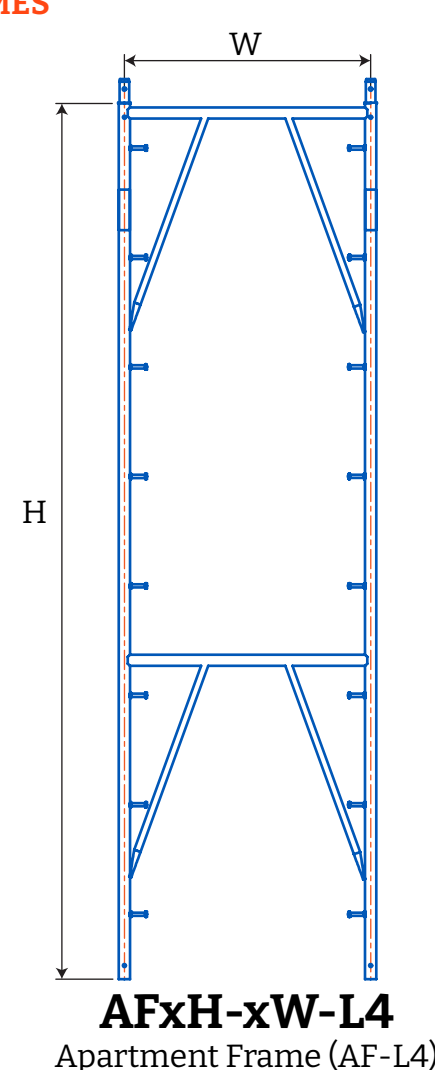
www.stepupsccaffold.com

Los Angeles: 562.907.7837  
New York: 718.456.3218



# WALK THRU FRAMES (CONTINUED)

## APARTMENT FRAMES



STEPUP - FRAME & BRACE

Item Number	Description	Height		Width		Top Hole Space		T - Top Lock Space		Weight	
		Standard	mm	Ft	M	in	mm	in	mm	Lbs	Kg
AF8H-2W-L4	Apartment Frame - 8' 8" x 2' Snap-On w/CP & RP	8' 8"	2,642	2	0.61	2	51	6 1/2	165	43.5	19.7
AF8H-3W-L4	Apartment Frame - 8' 8" x 3' Snap-On w/CP & RP	8' 8"	2,643	3	0.91	2	51	6 1/2	165	45.3	20.6
AF10H-2W-L4	Apartment Frame 10' 8" x 2' Snap-On w/CP & RP	10' 8"	3,251	2	0.61	2	51	6 1/2	165	50.8	23.0
AF10H-3W-L4	Apartment Frame - 10' 8" x 3' Snap-On w/CP & RP	10' 8"	3,251	3	0.91	2	51	6 1/2	165	56.1	25.4
AF11H-3W-L4	Apartment Frame - 11' 8" x 3' Snap-On w/CP & RP	11' 8"	3,556	2	0.61	2	51	6 1/2	165	57.0	25.8
AFLR10H-3W-L4	Apartment Frame - 10' 8" Snap-On w/Ladder, w/CP& RP	10' 8"	3,251	3	0.91	2	51	6 1/2	165	81.7	37.0
AFLR11H-3W-L4	Apartment Frame 11' 8" x 3' Snap-On w/Ladder, w/CP& RP	11' 8"	3,556	3	0.91	2	51	6 1/2	165	88.1	40.0

Inventory maintained in Los Angeles warehouse only.

Atlanta: 770.577.4222  
Houston: 713.678.8877

Updated January 2024

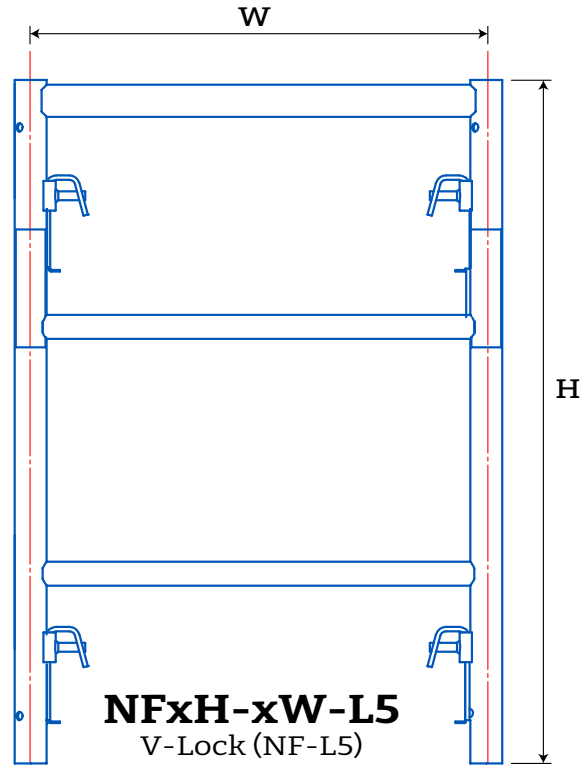
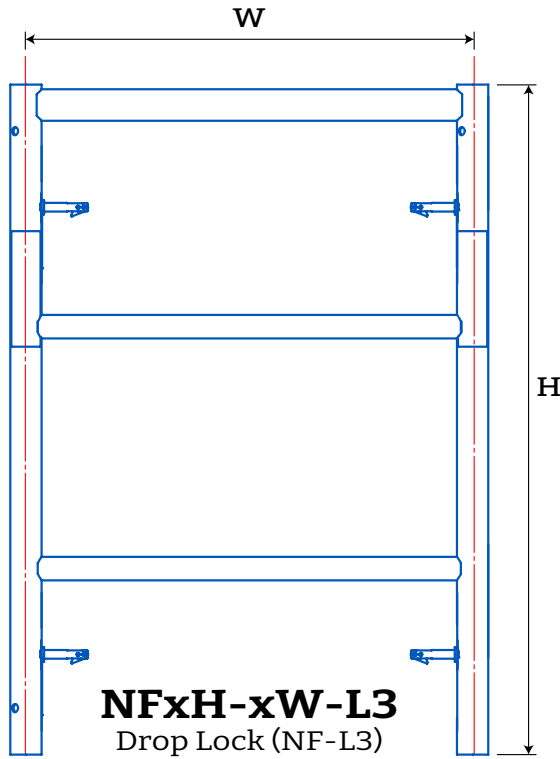
www.stepupsccaffold.com

Los Angeles: 562.907.7837  
New York: 718.456.3218



# NARROW FRAMES

STEPUP - FRAME & BRACE



Item Number	Description	H		W		OD Tube		Top Hole Space		T - Top Lock Space		Weight		Inventory Location
		in	mm	in	mm	in	mm	in	mm	in	mm	Lbs	Kg	
NF3H-2W-L3	Narrow Frame - 3' x 2' with D-Lock	36	914	24	610	1.69	43	2 1/2	63	6	152	17.2	7.8	-
NF5H-2W-L3	Narrow Frame - 5' x 2' with D-Lock	60	1,524	24	610	1.69	43	2 1/2	63	6	152	25.1	11.4	-
NF6H-2W-L4	Narrow Frame - 6' 8" x 2' with Snap-On Lock	80	2,032	24	610	1.625	41	2	51	6 1/2	165	34.5	15.6	LAX
NF6H-3W-L4	Narrow Frame - 6' 8" x 3' with Snap-On Lock	80	2,032	36	914	1.625	41	2	51	6 1/2	165	40.5	18.4	LAX
NF6H-2W-L3	Narrow Frame - 6' 4" x 2' with D-Lock	76	1,930	24	610	1.69	43	2 1/2	63	6	152	29.4	13.3	n/a
NF3H-2W-L5	Narrow Frame - 3' x 2' with V-Lock	36	914	24	610	1.69	43	2 1/2	63	6	152	18.2	8.3	NYC
NF5H-2W-L5	Narrow Frame - 5' x 2' with V-Lock	60	1,524	24	610	1.69	43	2 1/2	63	6	152	26.6	12.1	NYC
NF6H-2W-L5	Narrow Frame - 6' 4" x 2' with V-Lock	76	1,930	24	610	1.69	43	2 1/2	63	6	152	30.8	14.0	NYC
NF3H-3W-L5	Narrow Frame - 3' x 3' with V-Lock	36	914	36	914	1.69	43	2 1/2	63	6	152	22.4	10.2	NYC
NF5H-3W-L5	Narrow Frame - 5' x 3' with V-Lock	60	1,524	36	914	1.69	43	2 1/2	63	6	152	31.8	14.4	NYC
NF6H-3W-L5	Narrow Frame - 6' 4" x 3' with V-Lock	76	1,930	36	914	1.69	43	2 1/2	63	6	152	35.3	16.0	NYC

Atlanta: 770.577.4222  
Houston: 713.678.8877

Los Angeles: 562.907.7837  
New York: 718.456.3218

Updated February 2024

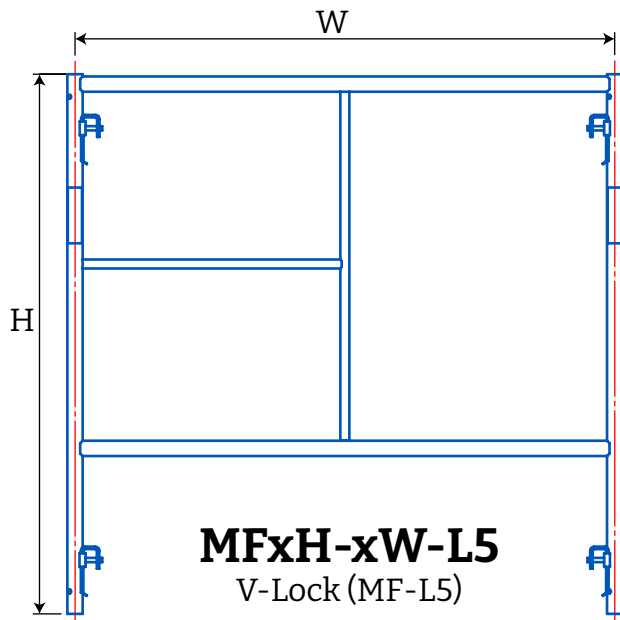
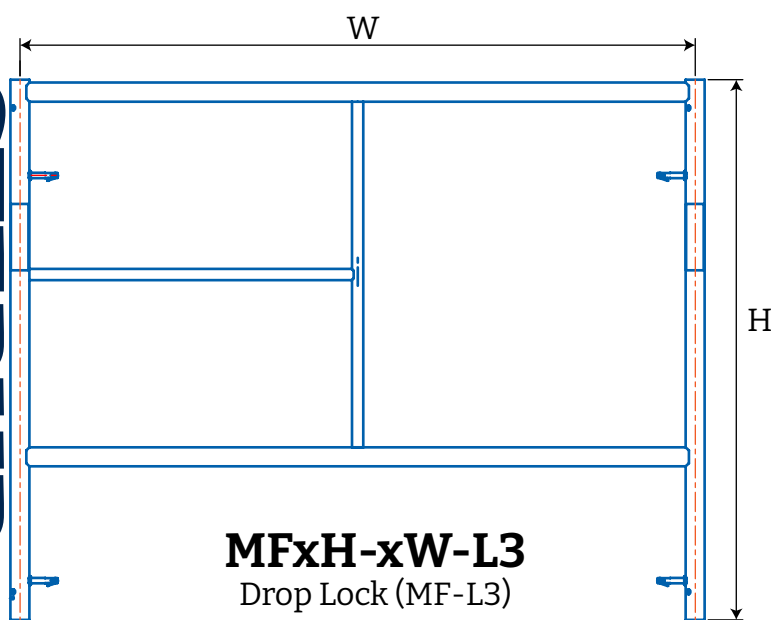
www.stepupsccaffold.com





# MASON FRAMES

STEPUP - FRAME & BRACE



Item Number	Description	Height		Width		OD Tube	Top Hole Space		T - Top Lock Space		Weight	
		in	mm	Ft	M		in	mm	in	mm	Lbs	Kg
<b>MF5H-5W-L2-M</b>	Mason Frame 5' 1"H x 5'W with Flip Lock (Mighty Style)	61	1,549	5	1.52	1.625"	2 1/2	63	8 1/2	216	42.2	19.2
<b>MF3H-3W-L3-L</b>	Mason Frame 3'H x 3'W with Drop Lock (LA Style)	36	914	3	0.91	1.69"	2 1/2	63	6	152	23.9	10.9
<b>MF3H-42W-L3</b>	Mason Frame 3'H x 42"W with Drop Lock	36	914	3 1/2	1.07	1.69"	2 1/2	63	8 1/2	216	23.7	10.8
<b>MF3H-5W-L3</b>	Mason Frame 3'H x 5'W with Drop-Lock	36	914	5	1.52	1.69"	2 1/2	63	8 1/2	216	27.0	12.2
<b>MF4H-5W-L3</b>	Mason Frame 4'H x 5'W with Drop-Lock	48	1,219	5	1.52	1.69"	2 1/2	63	8 1/2	216	32.9	14.9
<b>MF5H-5W-L3</b>	Mason Frame 5'H x 5'W with Drop-Lock (Mighty Style)	60	1,524	5	1.52	1.69"	2 1/2	63	8 1/2	216	36.6	16.6
<b>MF6H-5W-L3</b>	Mason Frame 6'4"H x 5'W with Drop-Lock	76	1,930	5	1.52	1.69"	2 1/2	63	8 1/2	216	43.7	19.8
<b>MF6H-5W-L3-L</b>	Mason Frame 6'4"H x 5'W with Drop-Lock (LA Style)	76	1,930	5	1.52	1.69"	2 1/2	63	6	152	47.1	21.4
<b>MF2H-5W-L5</b>	Mason Frame 2'H x 5'W with V-Lock	24	610	5	1.52	1.69"	2 1/2	63	6	152	27.1	12.3
<b>MF3H-5W-L5</b>	Mason Frame 3'H x 5'W with V-Lock	36	914	5	1.52	1.69"	2 1/2	63	6	152	28.6	13.0
<b>MF4H-5W-L5</b>	Mason Frame 4'H x 5'W with V-Lock	48	1,219	5	1.52	1.69"	2 1/2	63	6	152	34.6	15.7
<b>MF5H-5W-L5</b>	Mason Frame 5'H x 5'W with V-Lock	60	1,524	5	1.52	1.69"	2 1/2	63	6	152	38.1	17.3
<b>MF6H-5W-L5</b>	Mason Frame 6'4"H x 5'W with V-Lock	76	1,930	5	1.52	1.69"	2 1/2	63	6	152	46.4	21.0

Atlanta: 770.577.4222  
Houston: 713.678.8877

Los Angeles: 562.907.7837  
New York: 718.456.3218

Updated February 2024

www.stepupscaffold.com

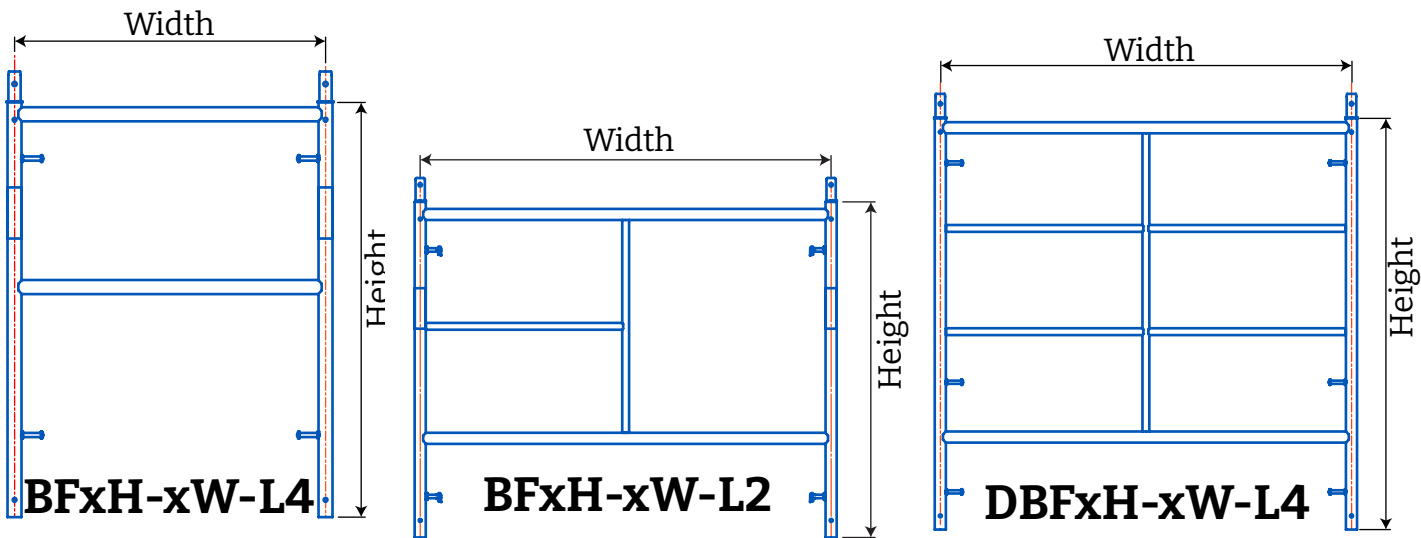


**STEPUP**

# BOX FRAMES

## BOX FRAMES - SNAP-ON

STEPUP - FRAME & BRACE



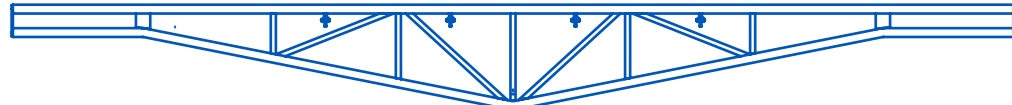
Item Number	Description	Height		Width		OD Tube	Top Hole Space		T - Top Lock Space		Weight	
		in	mm	in	mm		in	mm	in	mm	Lbs	Kg
<b>BF3H-3W-L2</b>	Single Box Frame - 3'x3' Flip Lock	36	914	36	914	1.625	2 1/2	64	6	152	20	9.1
<b>BF4H-5W-L2</b>	Single Box Frame - 4'x5' Flip Lock w/CP & SC	49	1,245	60	1,524	1.625	2 1/2	64	7	178	33.3	15.1
<b>BF5H-5W-L2</b>	Single Box Frame, Flip Lock w/CP & SC	61	1,549	60	1,524	1.625	2 1/2	64	7	178	39.0	17.7
<b>BF6H-5W-L2</b>	Single Box Frame - 5'x6' 7" Flip Lock	79	2,007	60	1,524	1.625	2 1/2	64	7	178	44.7	20.1
<b>BF20H-2W-L4</b>	Box Frame, Snap-On w/CP & RP	20	508	24	610	1.625	2	51	6 1/2	165	12.8	5.8
<b>BF20H-3W-L4</b>	Box Frame, Snap-On w/CP & RP	20	508	36	914	1.625	2	51	6 1/2	165	16.0	7.3
<b>B20H-5W-L4</b>	Box Frame, Snap-On w/CP & RP	20	508	60	1,524	1.625	2	51	6 1/2	165	22.2	10.1
<b>BF40H-2W-L4</b>	Box Frame, Snap-On w/CP & RP	40	1,016	24	610	1.625	2	51	6 1/2	165	18.1	8.2
<b>BF40H-3W-L4</b>	Box Frame, Snap-On w/CP & RP	40	1,016	36	914	1.625	2	51	6 1/2	165	21.2	9.6
<b>BF40H-5W-L4</b>	Box Frame, Snap-On w/CP & RP	40	1,016	60	1,524	1.625	2	51	6 1/2	165	27.4	12.4
<b>BF4H-3W-L4</b>	Box Frame, Snap-On w/CP & RP	48	1,219	36	914	1.625	2	51	6 1/2	165	23.3	10.6
<b>DBF5H-5W-L2</b>	Double Box Frame - 5'x5', Flip Lock w/CP & SC	61	1,549	60	1,524	1.625	2 1/2	64	7	178	43.9	20.0
<b>DBF6H-5W-L2</b>	Double Box Frame - 5'x6' 7", Flip Lock	79	2,007	60	1,524	1.625	2 1/2	64	7	178	47.0	21.3
<b>DBF5H-5W-L4</b>	Double Box Frame, Snap-On w/CP & RP	60	1,524	60	1,524	1.625	2	51	6 1/2	165	42.6	19.3
<b>DBF6H-5W-L4</b>	Double Box Frame, Snap-On w/CP & RP	80	2,032	60	1,524	1.625	2	51	6 1/2	165	52.5	23.8

# PUTLOGS

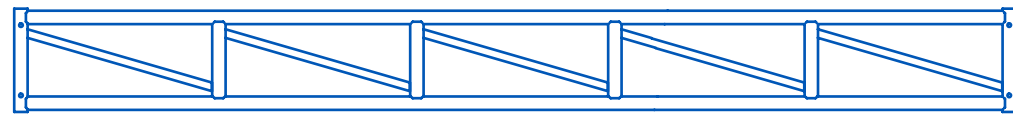
STEPUP - FRAME & BRACE



**P8, P12**



**P16, P22**



**Px-L**

Item Number	Description	Bay Width		Weight	
		Ft	M	Lbs	Kg
<b>P8</b>	Putlog - 8'	8	2.44	30.3	13.8
<b>P12</b>	Putlog - 12'	12	3.66	44.0	20.0
<b>P16</b>	Putlog Deep Truss - 16'	16	4.88	61.7	28.0
<b>P16-L</b>	Putlog Deep Truss - 16' (LA Style)	16	4.88	72.3	32.9
<b>P20-L</b>	Putlog Deep Truss - 20' (LA Style)	20	6.10	89.8	40.8
<b>P22</b>	Putlog Deep Truss - 22'	22	6.71	98.4	44.6
<b>P22-L</b>	Putlog Deep Truss - 22' (LA Style)	22	6.71	98.7	44.9
<b>P24-L</b>	Putlog Deep Truss - 24' (LA Style)	24	7.32	107.5	48.9

Continued on next page

Atlanta: 770.577.4222  
Houston: 713.678.8877

Updated January 2024

www.stepupsccaffold.com

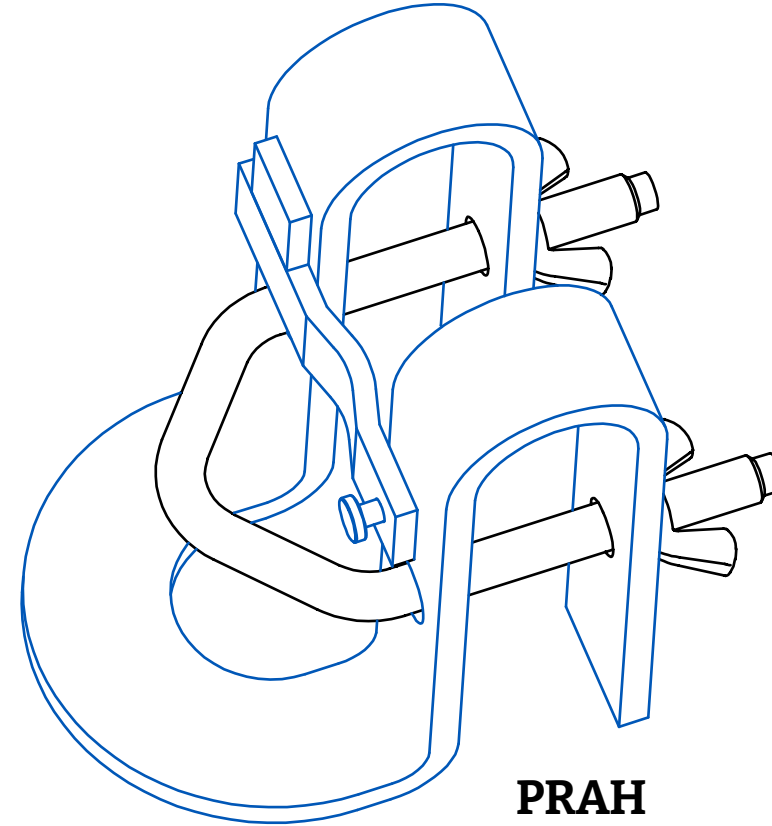
Los Angeles: 562.907.7837  
New York: 718.456.3218



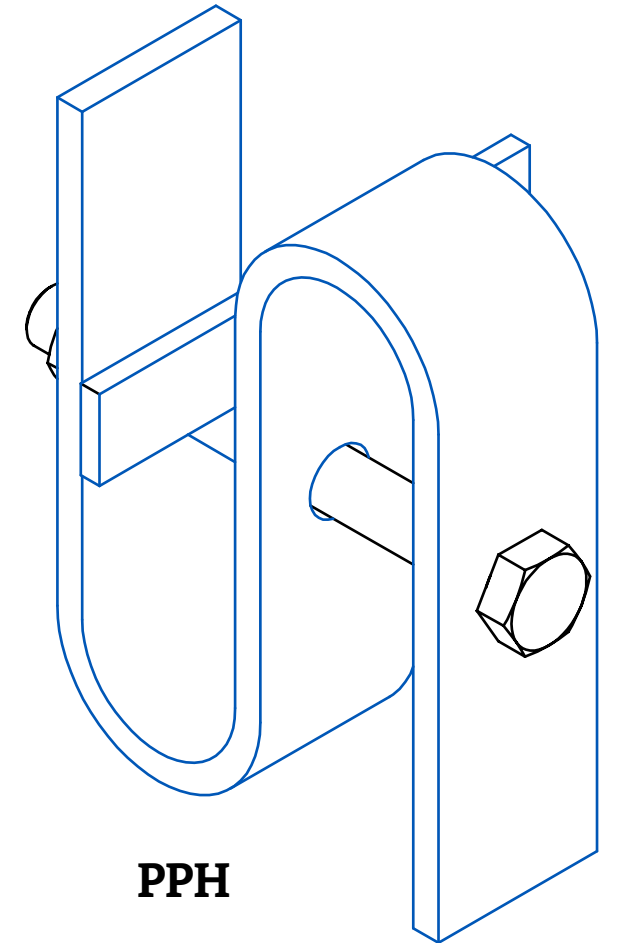
Continued from previous page

# PUTLOG HANGERS

STEPUP - FRAME & BRACE



**PRAH**



**PPH**

Item Number	Description	Width		Height		Weight	
		in	mm	in	mm	Lbs	Kg
<b>PRAH</b>	Putlog Right Angle Hanger	7 1/4	184	6 1/4	157	5.8	2.6
<b>PRAH-L*</b>	Putlog Right Angle Hanger	7	177	12 1/2	318	8.8	4.0
<b>PPH</b>	Putlog Parallel Hanger	5 3/8	138	6 7/8	173	4.9	2.2

\* Special order size. Contact your STEPUP Agent.

Atlanta: 770.577.4222  
Houston: 713.678.8877

Updated January 2024

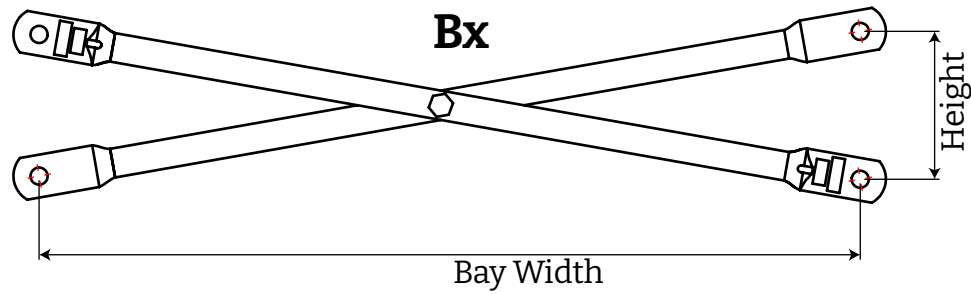
www.stepupsccaffold.com

Los Angeles: 562.907.7837  
New York: 718.456.3218



# PUNCH HOLE CROSS BRACES

# STEPUP - FRAME & BRACE



Item Number	Description	Bay Width		Height		Weight	
		Ft	M	Ft*	M	Lbs	Kg
B42	Punch Hole Cross Brace 4'x2'	4	1.22	2	0.61	7.2	3.3
B43	Punch Hole Cross Brace 4'x3'	4	1.22	3	0.91	8.0	3.6
B44	Punch Hole Cross Brace 4'x4'	4	1.22	4	1.22	8.9	4.1
B51	Punch Hole Cross Brace 5'x1'	5	1.52	1	0.30	8.1	3.7
B52	Punch Hole Cross Brace 5'x2'	5	1.52	2	0.61	8.5	3.9
B53	Punch Hole Cross Brace 5'x3'	5	1.52	3	0.91	9.3	4.2
B54	Punch Hole Cross Brace 5'x4'	5	1.52	4	1.22	10.1	4.6
B61	Punch Hole Cross Brace 6'x1'	6	1.83	1	0.30	9.6	4.4
B62	Punch Hole Cross Brace 6'x2'	6	1.83	2	0.61	10.0	4.5
B63	Punch Hole Cross Brace 6'x3'	6	1.83	3	0.91	10.6	4.8
B64	Punch Hole Cross Brace 6'x4'	6	1.83	4	1.22	11.3	5.1
B71	Punch Hole Cross Brace 7'x1'	7	2.13	1	0.30	11.1	5.1
B72	Punch Hole Cross Brace 7'x2'	7	2.13	2	0.61	11.5	5.2
B727	Galvanized Tubular Cross Brace 7'x27-3/4"	7	2.13	27-3/4"	0.70	11.6	5.3
B73	Punch Hole Cross Brace 7'x3'	7	2.13	3	0.91	12.0	5.5
B742	Punch Hold Cross Brace 7'x42"	7	2.13	42"	1.07	12.3	5.6
B74	Punch Hole Cross Brace 7'x4'	7	2.13	4	1.22	12.6	5.7
B82	Punch Hole Cross Brace 8'x2'	8	2.44	2	0.61	12.9	5.9
B827	Galvanized Tubular Cross Brace 8'x27-3/4"	8	2.44	27-3/4"	0.70	13.1	5.9
B83	Punch Hole Cross Brace 8'x3'	8	2.44	3	0.91	13.4	6.1
B84	Punch Hole Cross Brace 8'x4'	8	2.44	4	1.22	14.0	6.3
B102	Punch Hole Cross Brace 10'x2'	10	3.05	2	0.61	15.9	7.2
B103	Punch Hole Cross Brace 10'x3'	10	3.05	3	0.91	16.3	7.4
B104	Punch Hole Cross Brace 10'x4'	10	3.05	4	1.22	16.7	7.6
BDH734	Punch Double Hole Cross Brace 7'x(3' or 4')	7	2.13	3	0.91	12.6	5.7
				4	1.22		
BDH1034	Punch Double Hole Cross Brace 10'x(3' or 4')	10	3.05	3	0.91	16.7	7.6
				4	1.22		

\* Height dimension is expressed in feet unless otherwise noted.

Atlanta: 770.577.4222  
Houston: 713.678.8877

Updated February 2024

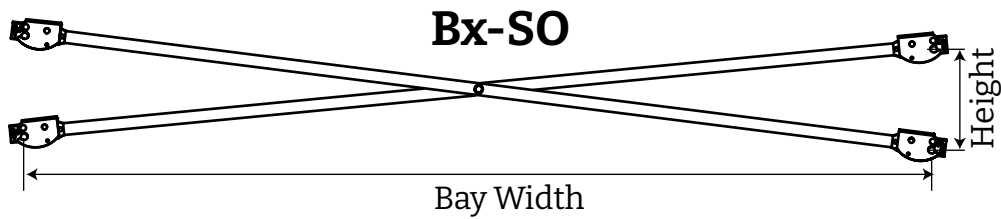
www.stepupsccaffold.com

Los Angeles: 562.907.7837  
New York: 718.456.3218



# SNAP-ON CROSS BRACES

# STEPUP - FRAME & BRACE



Item Number	Description	Bay Width		Height		Length		Weight	
		Ft	M	In	mm	in	M	Lbs	Kg
<b>B532-SO*</b>	Snap-On Cross Braces 5'x32"	5	1.52	32	813	68	1.73	10.9	5.0
<b>B54-SO</b>	Snap-On Cross Braces 5'x48"	5	1.52	48	1,219	77	1.95	12.1	5.5
<b>B732-SO</b>	Snap-On Cross Braces 7'x32"	7	2.13	32	813	90	2.28	13.8	6.2
<b>B74-SO</b>	Snap-On Cross Braces 7'x48"	7	2.13	48	1,219	97	2.46	14.7	6.6
<b>B1032-SO</b>	Snap-On Cross Braces 10'x32"	10	3.05	32	813	124	3.15	18.2	8.3
<b>B104-SO</b>	Snap-On Cross Braces 10'x48"	10	3.05	48	1,219	129	3.28	18.9	8.6

\* Special order size. Contact your STEPUP Agent.

Atlanta: 770.577.4222  
Houston: 713.678.8877

Updated February 2024

[www.stepupscaffold.com](http://www.stepupscaffold.com)

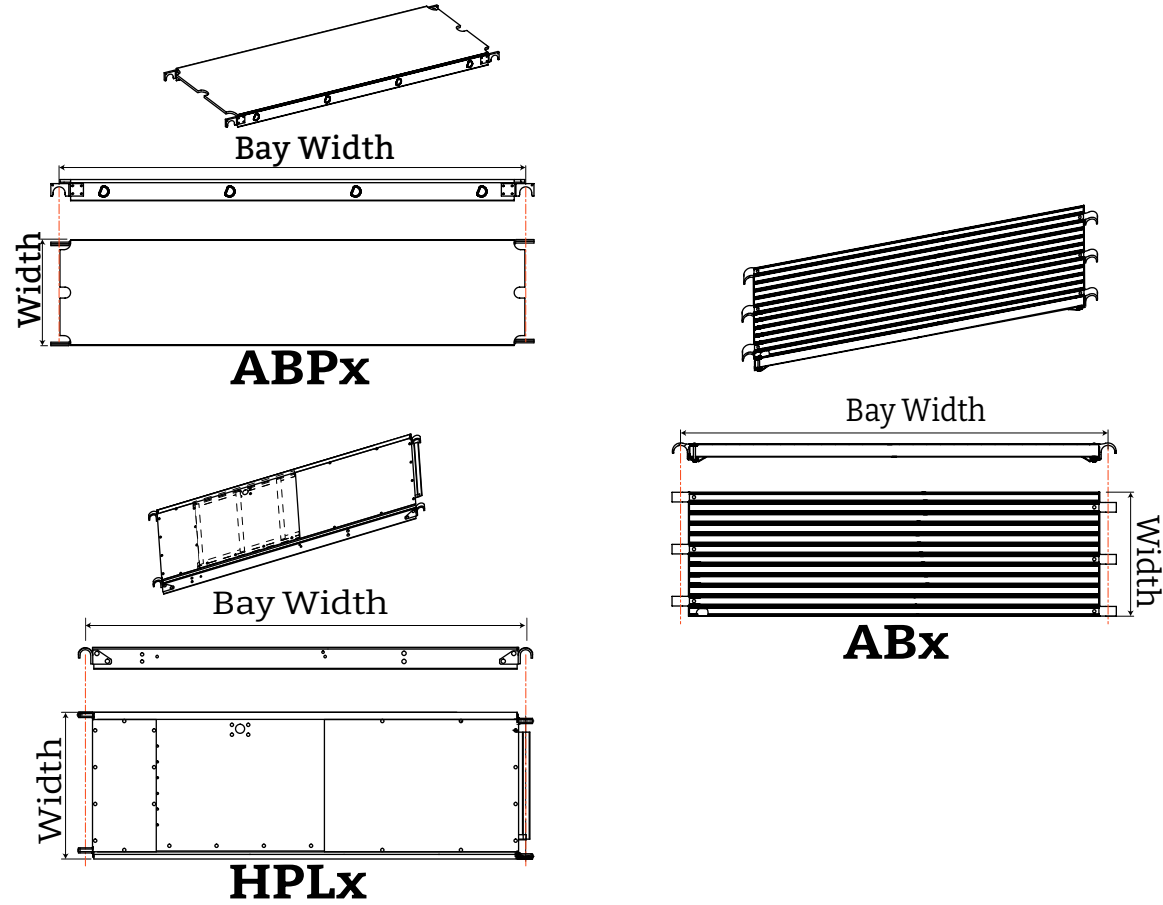
Los Angeles: 562.907.7837  
New York: 718.456.3218



# PLANKING

ALL ALUMINUM BOARDS & ALUMINUM WITH PLYWOOD BOARDS

STEPUP - FRAME & BRACE

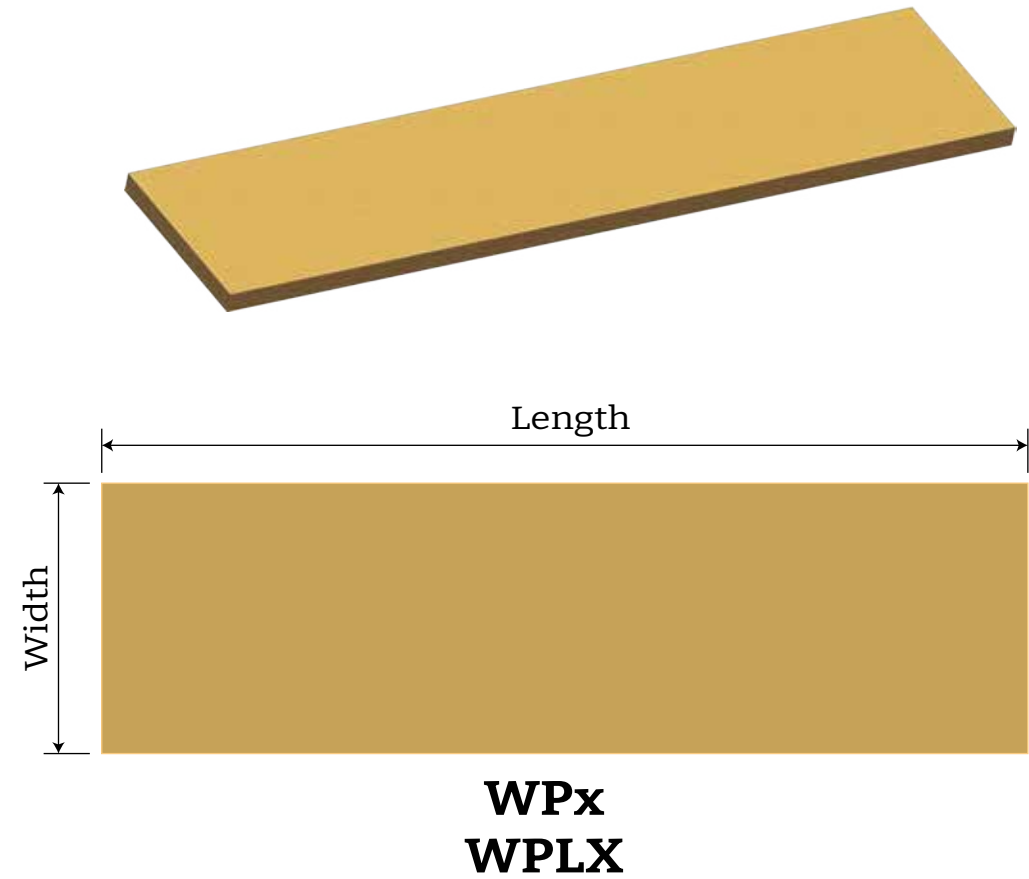


Item Number	Description	Length		Width		Weight	
		Ft	M	in	M	Lbs	Kg
<b>AB5*</b>	All Aluminum Board - 5'	5	1.52	19 1/4	0.49	19.8	9.0
<b>AB7</b>	All Aluminum Board - 7'	7	2.13	19 1/4	0.49	25.9	11.7
<b>ABP8</b>	All Aluminum Board - 8'	8	2.44	19 1/4	0.49	29.0	13.1
<b>AB9*</b>	All Aluminum Board - 9'	9	2.74	19 1/4	0.49	32.0	14.5
<b>AB10</b>	All Aluminum Board 10'	10	3.05	19 1/4	0.49	35.0	15.9
<b>ABP5</b>	Aluminum Board w/Plywood - 5'	5	1.52	19	0.48	24.1	10.9
<b>ABP7</b>	Aluminum Board w/Plywood - 7'	7	2.13	19	0.48	33.0	15.0
<b>ABP8</b>	Aluminum Board w/Plywood - 8'	8	2.44	19	0.48	37.1	16.8
<b>ABP10</b>	Aluminum Board w/Plywood - 10'	10	3.05	19	0.48	45.9	20.8
<b>HPL7</b>	Aluminum Board w/Plywood & Hatch - 7'	7	2.13	28	0.71	69.0	31.3
<b>HPL10</b>	Aluminum Board w/Plywood & Hatch - 10'	10	3.05	28	0.71	87.0	39.5

\* Special order size. Contact your STEPUP Agent.

Continued on next page

STEPUP - FRAME & BRACE

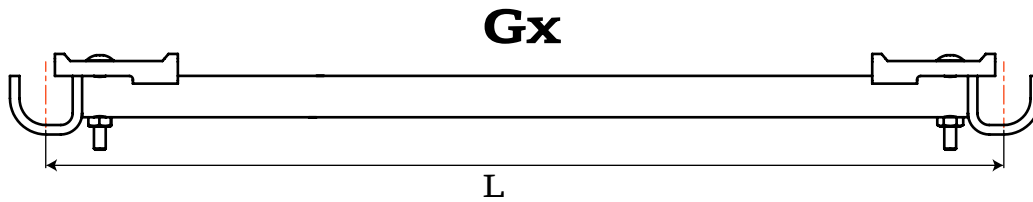


Item Number	Description	Length		Width		Weight	
		Ft	M	in	M	Lbs	Kg
<b>WP4</b>	Wood Plank - 4'	4	1.22	9 1/4	0.23	15.0	6.8
<b>WP6</b>	Wood Plank - 6'	6	1.83	9 1/4	0.23	22.5	10.2
<b>WP8</b>	Wood Plank - 8'	8	2.44	9 1/4	0.23	30.0	13.6
<b>WP9*</b>	Wood Plank - 9'	9	2.74	9 1/4	0.23	33.8	15.3
<b>WP10</b>	Wood Plank - 10'	10	3.05	9 1/4	0.23	37.5	17.0
<b>WP12</b>	Wood Plank - 12'	12	3.66	9 1/4	0.23	45.0	20.4
<b>WP16</b>	Wood Plank - 16'	16	4.88	9 1/4	0.23	60.0	27.2
<b>WPL8*</b>	Laminated Wood Plank - 8'	8	2.44	9 1/4	0.23	31.0	14.1
<b>WPL9</b>	Laminated Wood Plank - 9'	9	2.74	9 1/4	0.23	35.0	15.9
<b>WPL10*</b>	Laminated Wood Plank - 10'	10	3.05	9 1/4	0.23	39.0	17.7
<b>WPL12</b>	Laminated Wood Plank - 12'	12	3.66	9 1/4	0.23	47.0	21.3
<b>WPL14*</b>	Laminated Wood Plank - 14'	14	4.27	9 1/4	0.23	55.0	24.9
<b>WPL16*</b>	Laminated Wood Plank - 16'	16	4.88	9 1/4	0.23	62.0	28.1

\* Special order size. Contact your STEPUP Agent.

## GOOSERS

## STEPUP - FRAME &amp; BRACE



Item Number	Description	Length		Weight	
		in	mm	Lbs	Kg
<b>G3</b>	Gooser - 3'	36	914	6.3	2.8
<b>G5</b>	Gooser - 5'	60	1,524	8.5	3.8
<b>G7</b>	Gooser - 7'	84	2,134	10.7	4.8
<b>G10</b>	Gooser - 10'	120	3,048	13.9	6.3
<b>G2-HD</b>	2' Heavy Duty Gooser	24	610	6	2.7
<b>G3-HD</b>	3' Heavy Duty Gooser	36	914	7.6	3.4
<b>G5-HD</b>	5' Heavy Duty Gooser	60	1524	10.7	4.9
<b>G7-HD</b>	7' Heavy Duty Gooser	84	2,134	13.8	6.3
<b>G10-HD</b>	10' Heavy Duty Gooser	120	3,048	18.4	8.4
<b>G7-5</b>	Diagonal Gooser - 7'x5'	103 2/8	2,622	12.4	5.6
<b>G10-5</b>	Diagonal Gooser - 10'x5'	134 1/8	3,408	15.2	6.9

Atlanta: 770.577.4222  
Houston: 713.678.8877

Updated February 2024

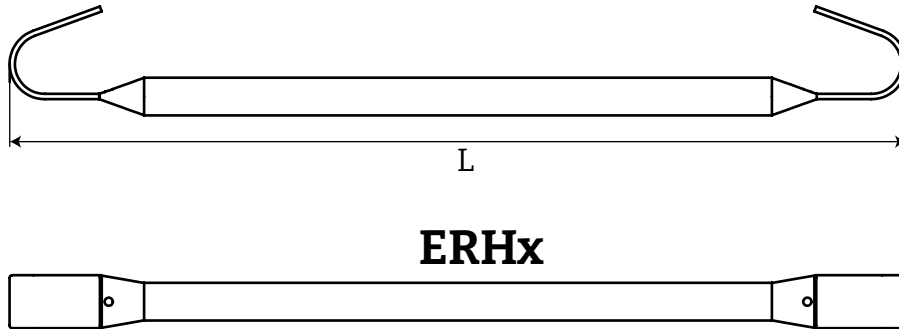
www.stepupscaffold.com

Los Angeles: 562.907.7837  
New York: 718.456.3218



# END RAIL HOOKED

# STEPUP - FRAME & BRACE



Item Number	Description	L		Weight	
		In	M	Lbs	Kg
<b>ERH30</b>	End Rail Hook - 30"	30	0.76	2.8	1.3
<b>ERH43*</b>	End Rail Hook - 43"	43	1.09	4.3	1.9
<b>ERH52*</b>	End Rail Hook 52"	52	1.32	5.0	2.3

\* Special order size. Contact your STEPUP Agent.

Atlanta: 770.577.4222  
Houston: 713.678.8877

Updated February 2024

[www.stepupscaffold.com](http://www.stepupscaffold.com)

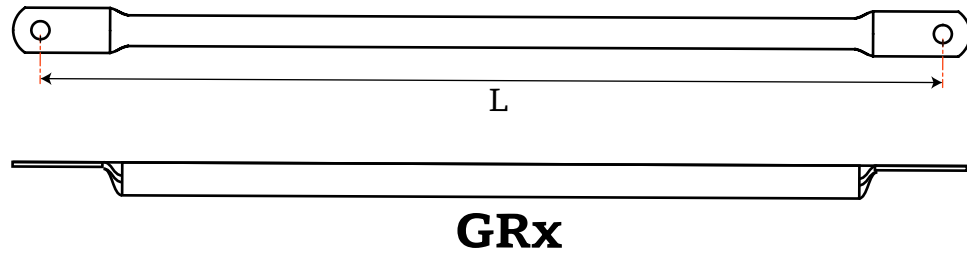
Los Angeles: 562.907.7837  
New York: 718.456.3218





# GUARD RAILS

## PUNCH HOLE GUARD RAIL

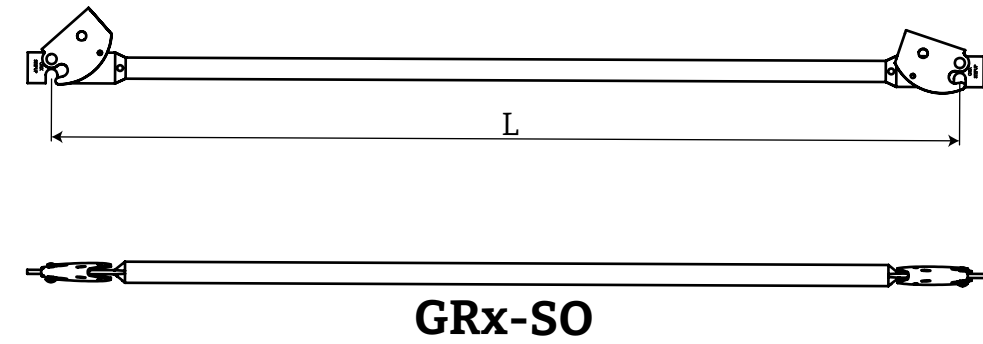


Item Number	Description	Length		Tube		Weight	
		Ft	M	In	mm	Lbs	Kg
<b>GR2</b>	Punch Hole Guard Rail 2' (1" Tube)	2	0.61	1	25.4	1.7	0.8
<b>GR3</b>	Punch Hole Guard Rail 3' (1" Tube)	3	0.91	1	25.4	2.5	1.2
<b>GR42</b>	Punch Hole Guard Rail 42" (1" Tube)	3 1/2	1.10	1	25.4	2.9	1.3
<b>GR4</b>	Punch Hole Guard Rail 4' (1" Tube)	4	1.22	1	25.4	3.3	1.5
<b>GR5</b>	Punch Hole Guard Rail 5' (1" Tube)	5	1.52	1	25.4	4.1	1.9
<b>GR6</b>	Punch Hole Guard Rail 6' (1" Tube)	6	1.83	1	25.4	4.9	2.2
<b>GR7</b>	Punch Hole Guard Rail 7' (1" Tube)	7	2.13	1	25.4	5.6	2.6
<b>GR8</b>	Punch Hole Guard Rail 8' (1" Tube)	8	2.44	1	25.4	6.3	2.9
<b>GR9*</b>	Punch Hole Guard Rail 9' (1" Tube)	9	2.74	1	25.4	7.1	3.2
<b>GR10</b>	Punch Hole Guard Rail 10' (1" Tube)	10	3.05	1	25.4	7.8	3.6
<b>GR3-125</b>	Punch Hole Guard Rail 3' (1.25" Tube)	3	0.91	1 1/4	31.7	3.1	1.4
<b>GR5-125</b>	Punch Hole Guard Rail 5' (1.25" Tube)	5	1.52	1 1/4	31.7	5.1	2.3
<b>GR7-125</b>	Punch Hole Guard Rail 7' (1.25" Tube)	7	2.13	1 1/4	31.7	7.1	3.2
<b>GR8-125</b>	Punch Hole Guard Rail 8' (1.25" Tube)	8	2.44	1 1/4	31.7	8.1	3.7
<b>GR10-125</b>	Punch Hole Guard Rail 10' (1.25" Tube)	10	3.05	1 1/4	31.7	11.1	5.1

\* Special order size. Contact your STEPUP Agent.

# GUARD RAILS (CONTINUED)

## SNAP-ON GUARD RAIL



Item Number	Description	Length		Tube		Weight	
		Ft	M	In	mm	Lbs	Kg
<b>GR3-SO</b>	Snap-On Guard Rail 3'	3	0.91	1 1/4	32	3.0	1.4
<b>GR5-SO</b>	Snap-On Guard Rail 5'	5	1.52	1 1/4	32	4.5	2.0
<b>GR7-SO</b>	Snap-On Guard Rail 7'	7	2.13	1 1/4	32	5.9	2.7
<b>GR10-SO</b>	Snap-On Guard Rail 10'	10	3.05	1 1/4	32	8.1	3.7
<b>GR2-SO125</b>	Snap-On Guard Rail 2'	2	0.60	1 1/4	32	3.0	1.4
<b>GR3-SO125</b>	Snap-On Guard Rail 3'	3	0.90	1 1/4	32	3.8	1.7
<b>GR5-SO125</b>	Snap-On Guard Rail 5'	5	1.50	1 1/4	32	5.7	2.6
<b>GR7-SO125</b>	Snap-On Guard Rail 7'	7	2.10	1 1/4	32	7.6	3.5
<b>GR10-SO125</b>	Snap-On Guard Rail 10'	10	3.00	1 1/4	32	11.1	5.1

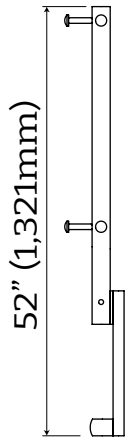
STEPUP - FRAME & BRACE

STEPUP - FRAME & BRACE

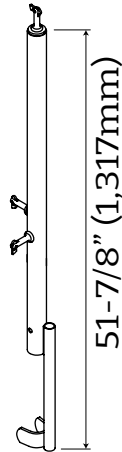
Continued on next page

# GUARD RAIL POSTS

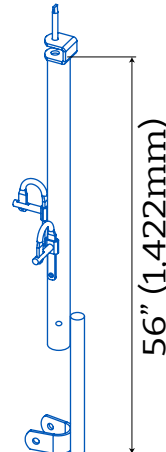
# STEPUP - FRAME & BRACE



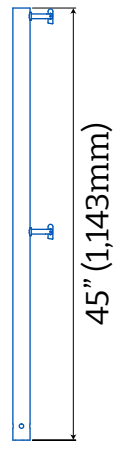
**GRPT-L4**



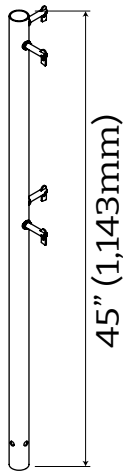
**GRPT-L2**



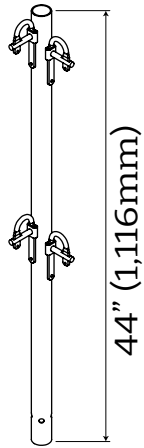
**GRPT-L1**



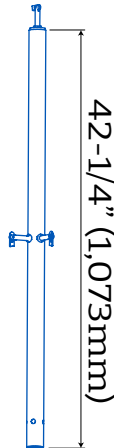
**GRPL-L2**



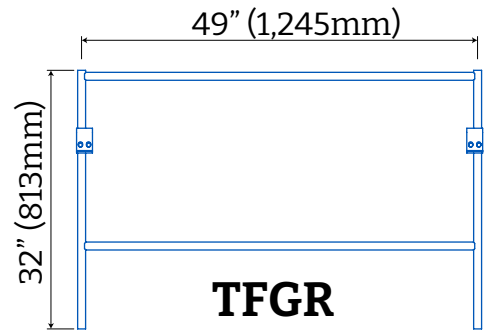
**GRPF-L2**



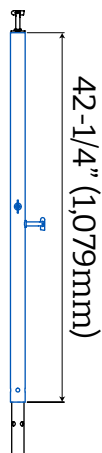
**GRPF-L1**



**GRPF-L2-N**



**TFGR**



**GRPM-L2-N**

Item Number	Description	Tube O.D.		Weight	
		In	mm	Lbs	Kg
<b>GRPF-L1</b>	Guard Rail Post Female, with "W" Lock	1.69	43	7.7	3.5
<b>GRPF-L2</b>	Guard Rail Post Female, Flip Lock	1.625	41	6.3	2.9
<b>GRPF-L2-N</b>	Guard Rail Post Female, Flip Lock	1.69	43	6.2	2.8
<b>GRPF-L3</b>	Guard Rail Post, Female, w/Drop Lock	1.69	43	6.1	2.8
<b>GRPM-L2-N</b>	Guard Rail Post, Male w/F-Lock	1.69	43	7.1	3.2
<b>GRPM-L3</b>	Guard Rail Post, Male	1.69	43	6.2	2.8
<b>GRPTC-L4</b>	Snap-On Guard Rail Post with Tail (Corner Style)	1.625	41	7.6	3.5
<b>GRPT-L1*</b>	Guard Rail Post with Tail, with "W" Lock	1.625	41	8.4	3.8
<b>GRPT-L2</b>	Guard Rail Post with tail, Flip Lock	1.69	43	7.8	3.5
<b>GRPL-L2*</b>	Guard Rail Line Post Female, Flip Lock	1.625	41	6.2	2.8
<b>GRPT-L4</b>	Snap-On Guard Rail Post with Tail	1.625	41	7.4	3.3
<b>TFGR</b>	Walk Thru Frame Guard Rail Panel	1	25	11.6	5.2
<b>TFGR3</b>	Walk Thru End Guard Panel 3' Wide	1	25	9.2	4.2

Atlanta: 770.577.4222  
Houston: 713.678.8877

Los Angeles: 562.907.7837  
New York: 718.456.3218

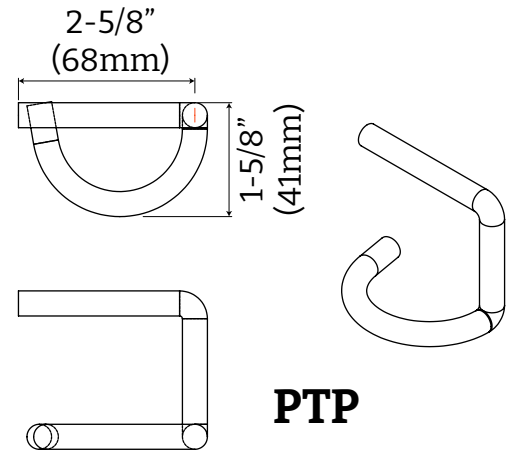
Updated February 2024

www.stepupscaffold.com

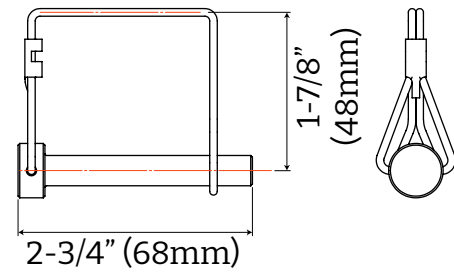


# LOCKING & COUPLING PINS

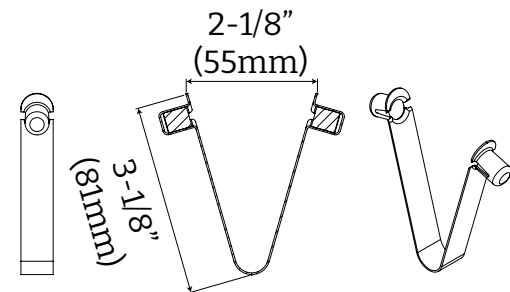
## LOCKING PINS



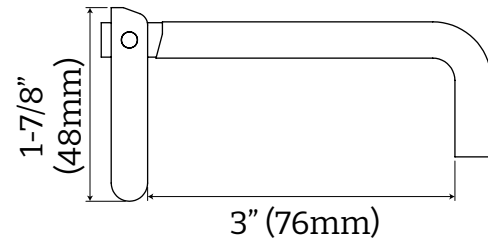
**PTP**



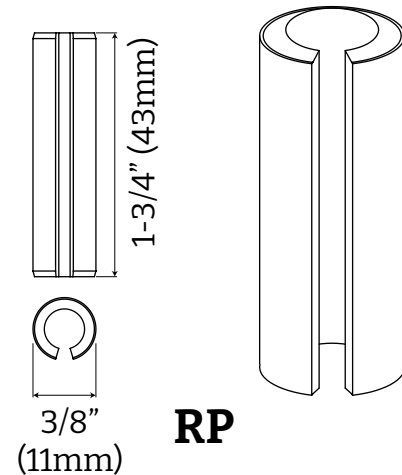
**SP**



**SC**



**GP**



**RP**

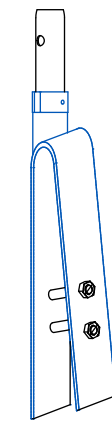
Item Number	Description	Height		Width		Weight	
		in	mm	in	mm	Lbs	Kg
<b>PTP</b>	Pig Tail Pin	15/8	41	2 1/2	64	0.24	0.11
<b>SP</b>	Span Pin	17/8	47	2 3/4	68	0.11	0.05
<b>SC</b>	Spring Clip	3 1/8	81	2 1/8	55	0.05	0.02
<b>GP</b>	3" Gravity Pin	17/8	48	3	76	0.13	0.06
<b>RP</b>	Roll Pin	1 3/4	43	3/8	11	0.05	0.02

Continued on next page

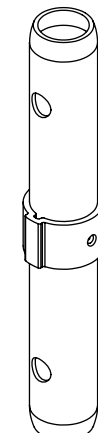
Continued from previous page

# LOCKING & COUPLING PINS (CONTINUED)

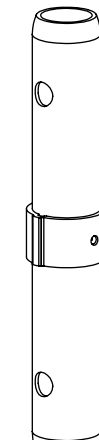
## COUPLING PINS



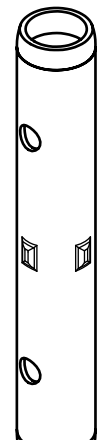
**CP-S**



**CP5-1**



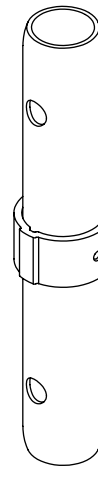
**CP6-1**



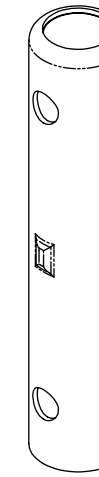
**CP7-0**



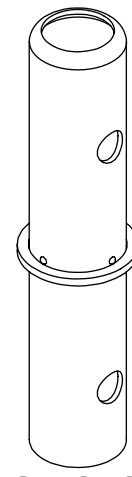
**CP7-1-R**



**CP7-1**



**CP6-0**



**CP6-8**

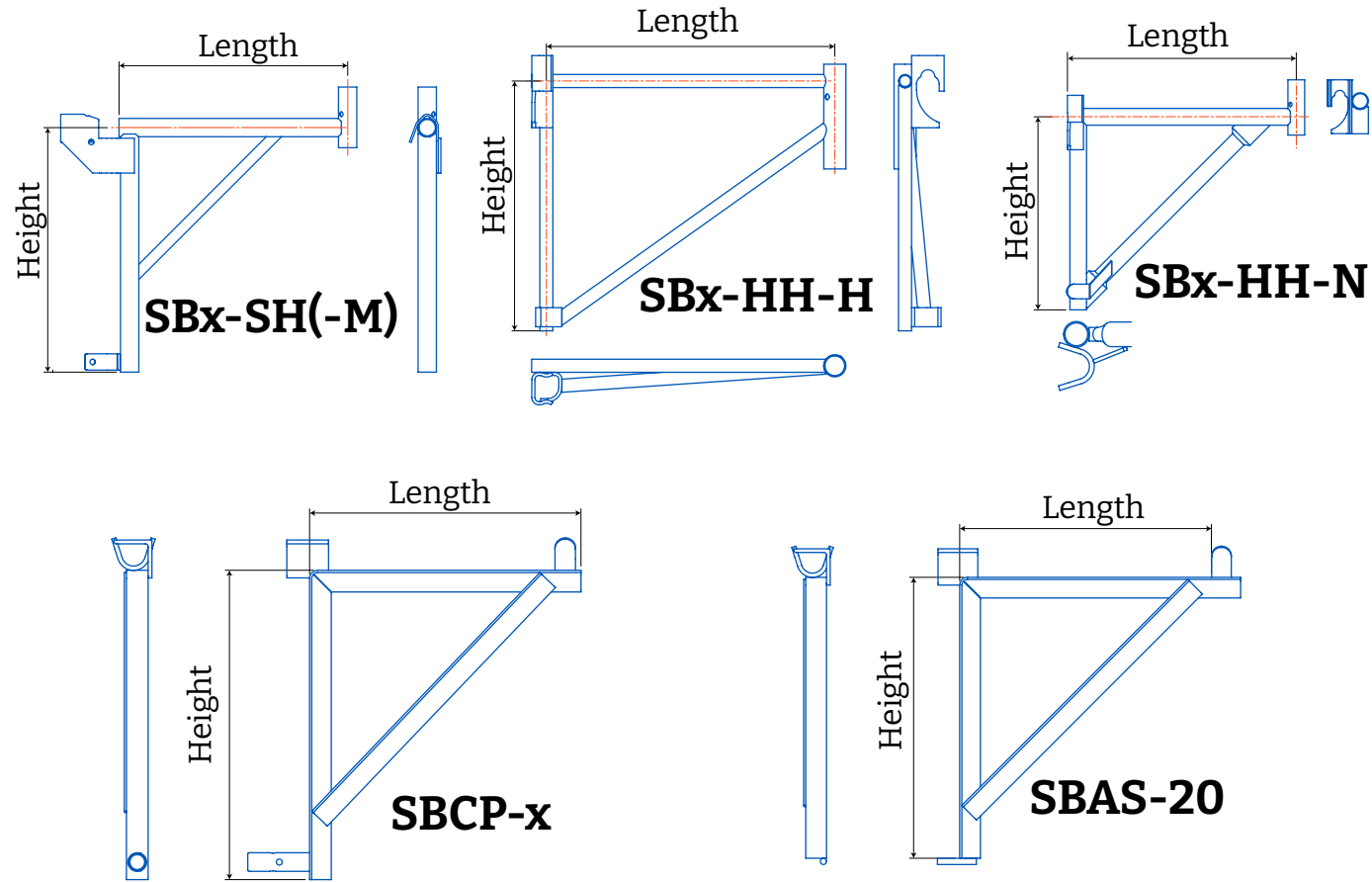
Item Number	Description	Weight	
		Lbs	Kg
<b>CP-S</b>	Saddle Coupling Pin	6.4	2.9
<b>CP5-1</b>	Coupling Pin with 1" Collar (1-1/4" OD)	0.89	0.40
<b>CP6-1</b>	Coupling Pin with Collar (1-3/8" OD)	0.99	0.45
<b>CP7-0</b>	Coupling Pin Collar (1-7/16" OD)	0.99	0.45
<b>CP7-1</b>	Coupling Pin with 1" Collar for 1.69" Tube (1-7/16" OD)	1.04	0.47
<b>CP7-1-R</b>	Coupling Pin with 1" Collar (1-7/16" OD), R Style,	1.21	0.55
<b>CP6-0</b>	Coupling Pin without Collar for 1.625" Tube (1-3/8" OD)	0.62	0.28
<b>CP6-8</b>	Coupling Pin with 1/8" Collar for 1.625" Tube (1-3/8" OD)	0.64	0.29

STEPUP - FRAME & BRACE

STEPUP - FRAME & BRACE

# BRACKETS

## SIDE BRACKETS



Item Number	Description	Length		Height		Weight	
		in	mm	in	mm	Lbs	Kg
<b>SB12-SH</b>	12" Side Bracket With Saddle Hanger	12	305	22 1/2	572	8.5	3.9
<b>SB20-SH</b>	Side Bracket with Saddle Hanger - 20"	21 1/8	535	22 1/2	572	9.9	4.5
<b>SB20-SH-M</b>	Mighty Style Side Bracket	20	508	18 3/4	475	9.9	4.5
<b>SB30-SH</b>	Side Bracket with Saddle Hanger - 30"	30 1/2	775	30	762	14.4	6.5
<b>SB38-SH</b>	Side Bracket with Saddle Hanger - 38"	37 7/8	961	32 1/2	826	16.3	7.38
<b>SB20-HH-H</b>	Side Bracket with Hook Hanger, Houston - 20"	22	560	19 1/8	485	6.9	3.1
<b>SB20-HH-N</b>	Side Bracket with Hook Hanger, NY Style - 20"	23 1/8	588	19 1/2	496	11.5	5.2
<b>SB30-HH-H</b>	Side Bracket with Hook Hanger, Houston - 30"	32	814	29	737	14.1	6.4
<b>SB30-HH-N</b>	Side Bracket with Hook Hanger, NY Style - 30"	33 1/8	843	29	737	15.7	7.1
<b>SBCP-12</b>	Side Bracket with Coupling Pin - 12"	12	305	12	305	7.1	3.2
<b>SBCP-20</b>	Side Bracket with Coupling Pin - 20"	19 3/4	502	22 1/2	572	10.8	4.9
<b>SBCP-24</b>	Side Bracket with Coupling Pin - 24"	24	610	24	610	12.5	5.7
<b>SBCP-36</b>	Side Bracket with Coupling Pin - 36"	27 3/8	694	36	914	15.1	6.9
<b>SBAS-20*</b>	Angle Iron Side Bracket with Stud - 20"	21 3/8	542	21 3/8	542	10.8	4.9

\* Special order size. Contact your STEPUP Agent.

Continued on next page

Atlanta: 770.577.4222  
Houston: 713.678.8877

Updated January 2024

www.stepupscaffold.com

Los Angeles: 562.907.7837  
New York: 718.456.3218

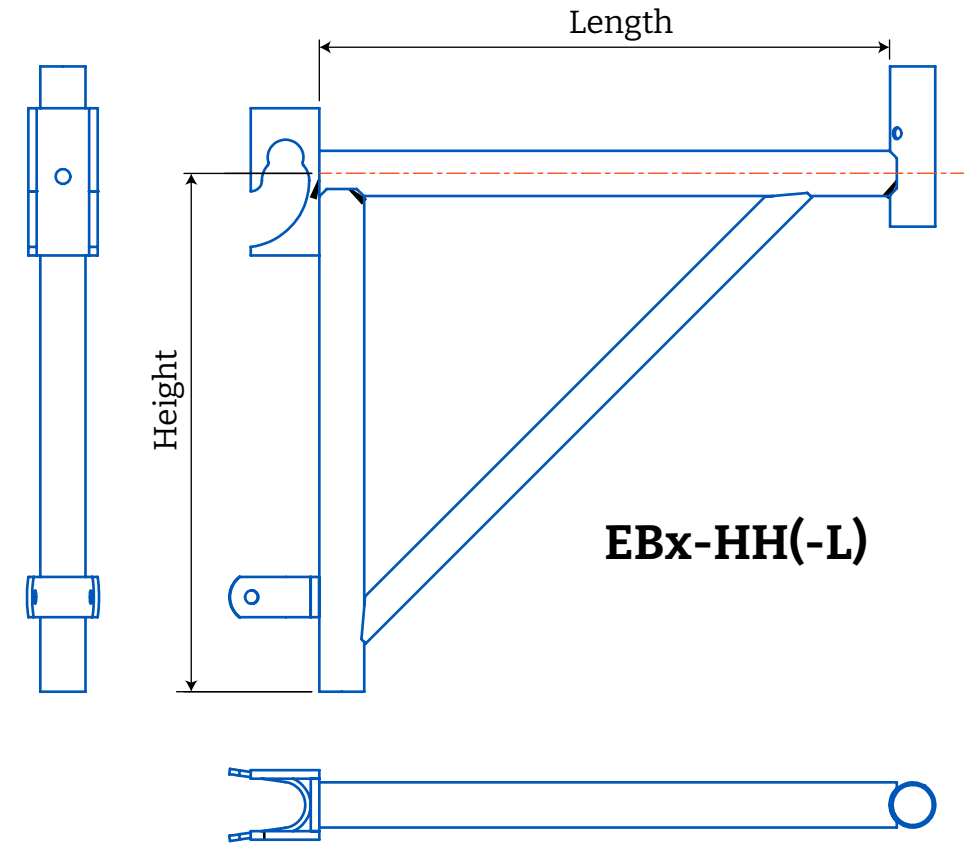


Continued from previous page

# BRACKETS (CONTINUED)

## END BRACKETS

# STEPUP - FRAME & BRACE



Item Number	Description	Length		Height		Weight	
		in	mm	in	mm	Lbs	Kg
<b>EB20-HH</b>	End Bracket with Hook Hanger - 20"	22 1/4	564	19 3/8	493	11.0	5.0
<b>EB20-HH-L</b>	End Bracket with Hook Hanger - 20" (LA Style)	22 1/4	564	20 3/8	518	11.1	5.0
<b>EB30-HH</b>	End Bracket with Hook Hanger - 30"	30 3/8	772	29 1/2	750	14.7	6.7

Atlanta: 770.577.4222  
Houston: 713.678.8877

Updated January 2024

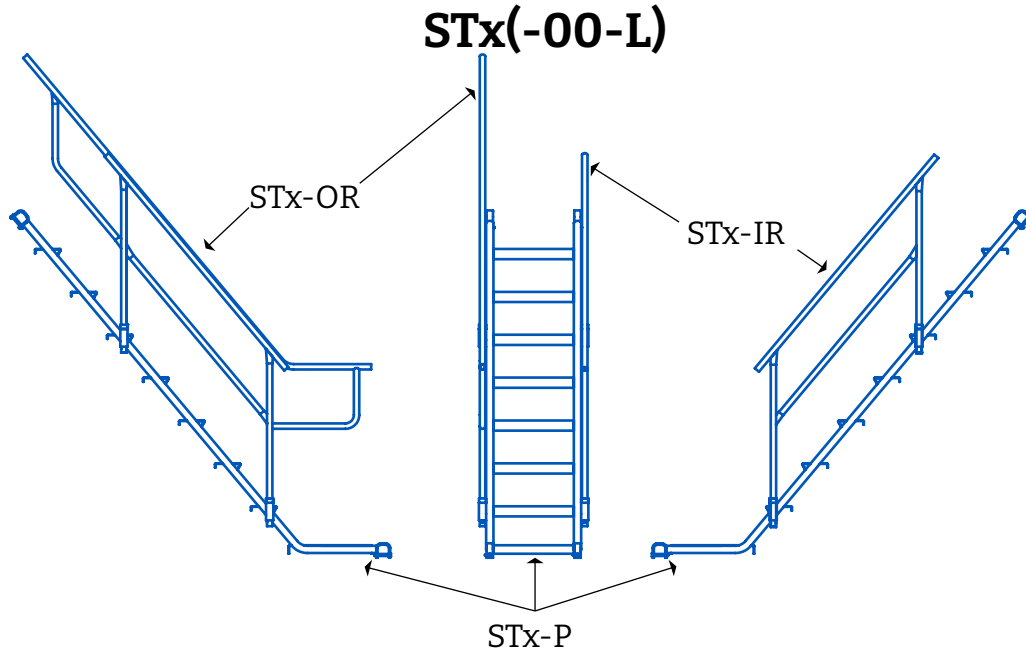
www.stepupscaffold.com

Los Angeles: 562.907.7837  
New York: 718.456.3218



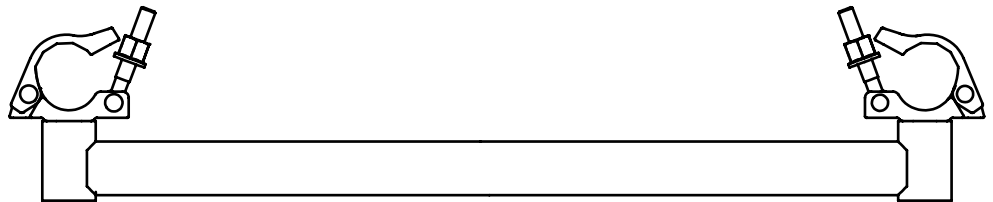
# INTERNAL STAIRWAY UNITS

# STEPUP - FRAME & BRACE



### Complete Stairway Unit Set (ST7/ST8)

- The height of both ST7 and ST8 is 77" (6' 5" / 1.956M); Both are compatible with the 6' 4" high frames.
- Designed to save time by enabling personnel to enter and leave work areas with greater convenience and safety



### STARTERBAR

Item Number	Description	Weight	
		Lbs	Kg
<b>STARTERBAR</b>	5' Starter Horizontal for Stair Set	12.2	5.5
<b>ST7</b>	7' Stairway Complete Set (1 Stairway, 2 Rails)	130.0	59.0
<b>ST7-00-L</b>	6'8"X7 Stairway Complete Set (1 Stairway, 2 Rails)	128.3	58.3
<b>ST7-P</b>	Access Stair Unit 6'4" H X 7"W	90.3	40.9
<b>ST7-OR</b>	Outside Rail For ST7	24.6	11.2
<b>ST7-IR</b>	Inside Rail For ST7	15.1	6.9
<b>ST8</b>	8' Span Stairway, Complete Set (1 Stairway, 2 Rails)	147.2	66.7
<b>ST8-P</b>	Access Stairs - 8'	95.5	43.3
<b>ST8-OR</b>	Outside Rail For ST8	31.5	14.3
<b>ST8-IR</b>	Inside Rail For ST8	20.2	9.2
<b>ST7-01-07</b>	PIN for Stair Units	0.2	0.1

Atlanta: 770.577.4222  
Houston: 713.678.8877

Los Angeles: 562.907.7837  
New York: 718.456.3218

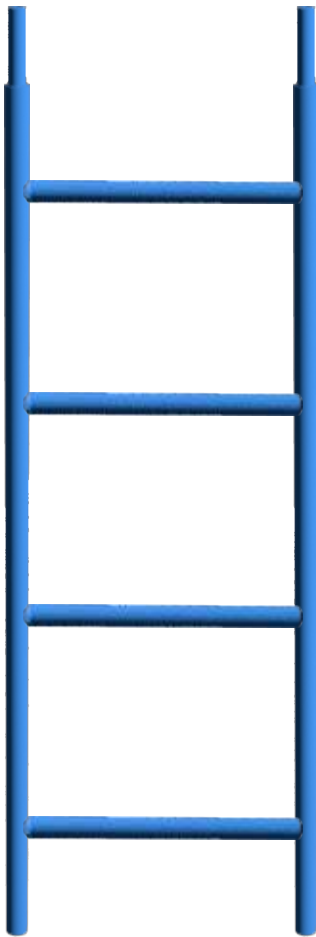
Updated February 2024

www.stepupscaffold.com

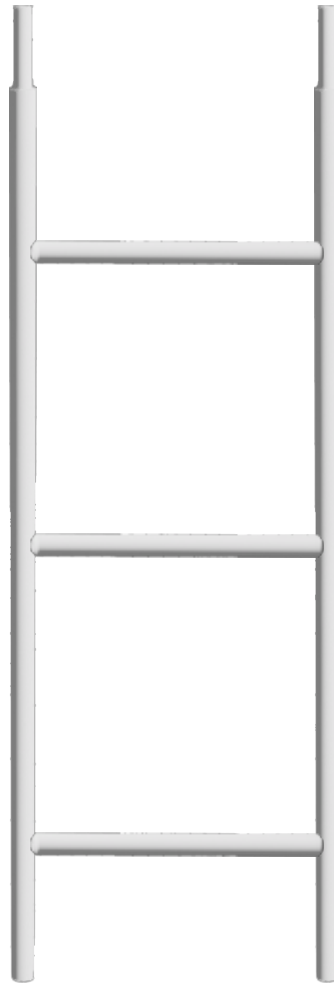


# EXTERNAL ACCESS LADDERS

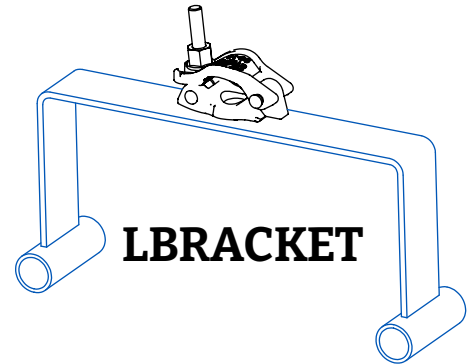
# STEPUP - FRAME & BRACE



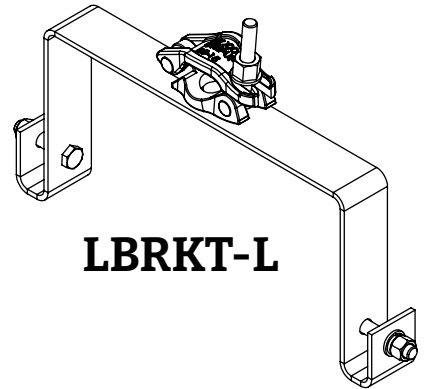
**LFx**



**LFx-L**



**LBRACKET**



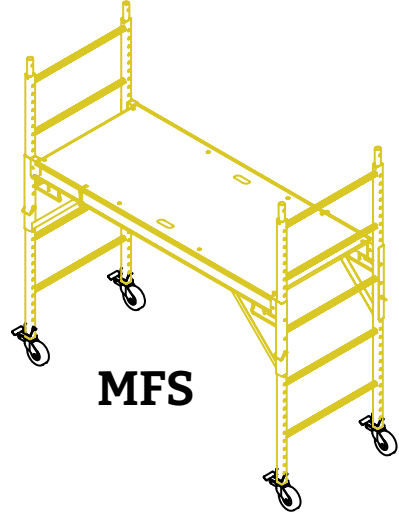
**LBRKT-L**

- Various size ladders provide continuous and easy climbing to scaffold ladder bracket used to attach ladder to scaffold

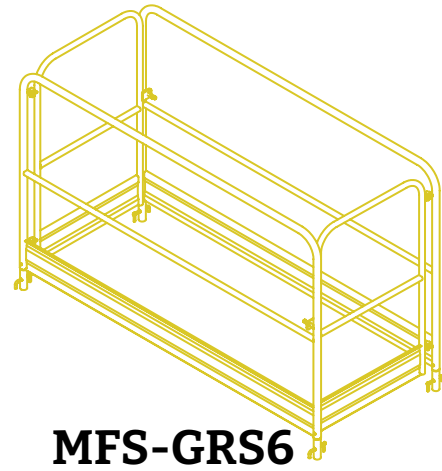
Item Number	Description	Weight	
		Lbs	Kg
<b>LF3</b>	Ladder Frame 44"Hx15"W	10.1	4.6
<b>LF6</b>	Ladder Frame 6'5"Hx15"W	17.8	8.1
<b>LBRACKET</b>	Ladder Bracket	7.5	3.4
<b>LF3-L</b>	Ladder Frame 3'H X 15"W (LA Style)	8.6	3.9
<b>LF6-L</b>	Ladder Frame 6' X 15" (LA Style)	15.7	7.1
<b>LBRKT-L</b>	Ladder Bracket (LA Style)	6.0	2.7

# MULTIFUNCTION SCAFFOLDING

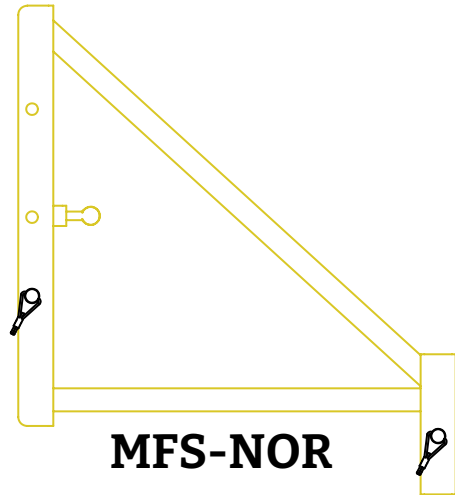
STEPUP - FRAME & BRACE



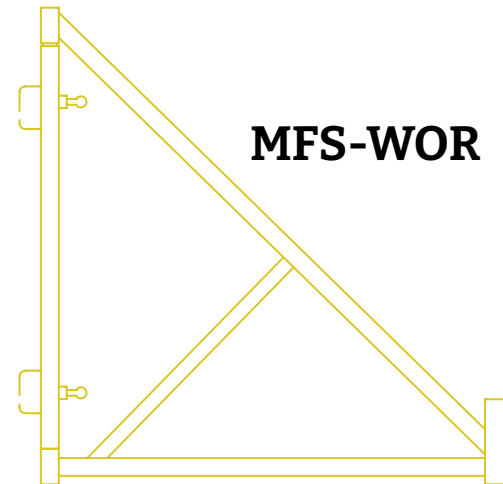
**MFS**



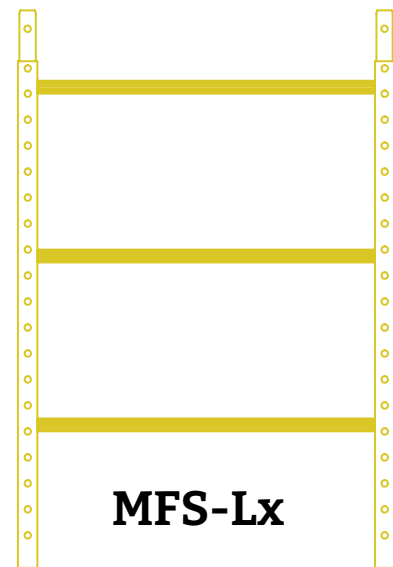
**MFS-GRS6**



**MFS-NOR**



**MFS-WOR**



**MFS-Lx**

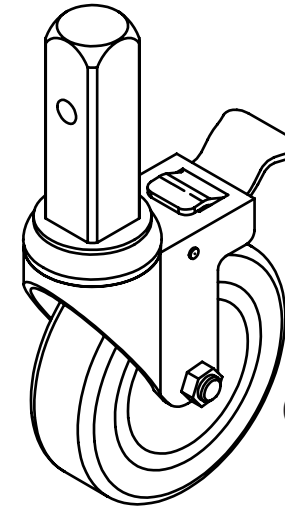
Continued on next page

# MULTIFUNCTION SCAFFOLDING (CONT'D)

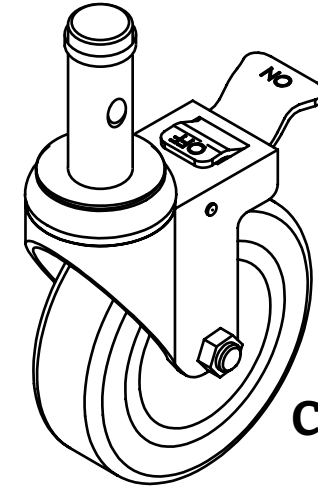
STEPUP - FRAME & BRACE



**MFS-T6**



**C5R-S**



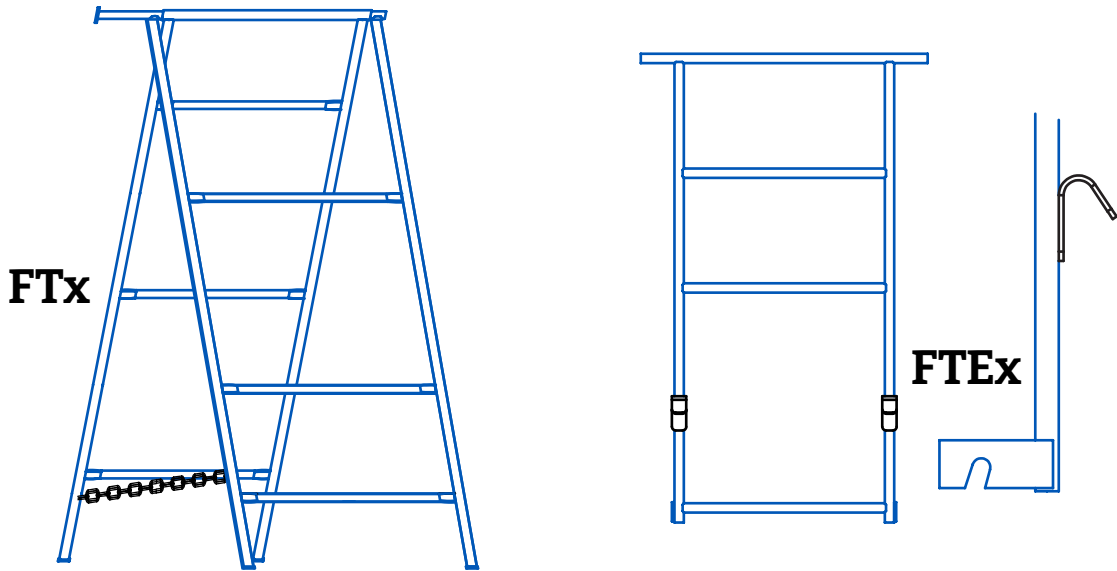
**C5R-HJ**

Item Number	Description	Height		Width		Length		Weight	
		in	mm	in	mm	in	mm	Lbs	Kg
<b>MFS</b>	Multifunction Scaffold Set	65	1,651	27 1/2	698	72	1,829	145.5	66.0
<b>MFS-GRS6</b>	Guard Rail Set for Multifunction Scaffold	44 3/4	1,137	24	610	68 3/4	1,746	79.2	35.9
<b>MFS-NOR</b>	Narrow Outrigger for Multifunction Scaffold	18	457	18 3/4	476	-	-	6.1	2.8
<b>MFS-WOR</b>	Wide Outrigger for Multifunction Scaffold	33 1/2	852	32 3/4	832	-	-	19.1	8.7
<b>MFS-L39</b>	Extension Frame for Multifunction Scaffold	39	991	27 1/2	698	-	-	15.0	6.8
<b>MFS-L65</b>	Extension Frame for Multifunction Scaffold	65	1,651	27 1/2	698	-	-	24.3	11.0
<b>MFS-T6</b>	Platform Truss for Multifunction Scaffold	18	457	-	-	73 7/8	1,876	21.0	9.5
<b>MFS-P6</b>	Plywood Board for Multifunction Scaffold	-	-	28 5/8	727	66 7/8	1,700	31.0	14.1
<b>MFS-BP</b>	Base Plate for MFS	5	128	4 3/4	120	-	-	1.5	0.7
<b>MFS-TD</b>	Wood Platform for MFS with Trap Door	3/4	18 4/8	28 5/8	727	67	1,700	38.8	17.6
<b>MFS-T6-17</b>	"L" Shape Pin to Connect Truss with Frame	-	-	17/8	48	61/4	158	0.2	0.1
<b>MFS-T6-PIN</b>	"L" Shape Pin to Connect truss with Platform	-	-	13/4	46	5 3/4	147	0.2	0.1
<b>C5R-S</b>	Rubber Caster with Lock - 5" Wheel	5	127	-	-	-	-	4.2	1.9
<b>C5R-HJ</b>	Hard Rubber Scaffold Caster with 1" Round Stem & Grip Ring - 5" Wheel	5	128	-	-	-	-	3.4	1.5

# FOLDING TRESTLE

## AND FOLDING TRESTLE EXTENSION

STEPUP - RINGLOCK



Item Number	Description	Height		Width		Weight	
		in	mm	In	mm	Lbs	Kg
FT2	Folding Trestle - 2'	24	610	36	914	15.3	7.0
FT3	Folding Trestle - 3'	36	914	36	914	20.0	9.1
FT4	Folding Trestle - 4'	48	1,219	36 1/4	921	25.5	11.6
FT6	Folding Trestle - 6'	72	1,829	37 3/8	950	41.3	18.8
FTE2*	Folding Trestle Extension - 2'	36 1/2	927	30	762	11.02	5.0
FTE3	Folding Trestle Extension - 3'	48 1/2	1,233	30	762	14.34	6.5

\* Special order size. Contact your STEPUP Agent.

Atlanta: 770.577.4222  
Houston: 713.678.8877

Updated February 2024

www.stepupscaffold.com

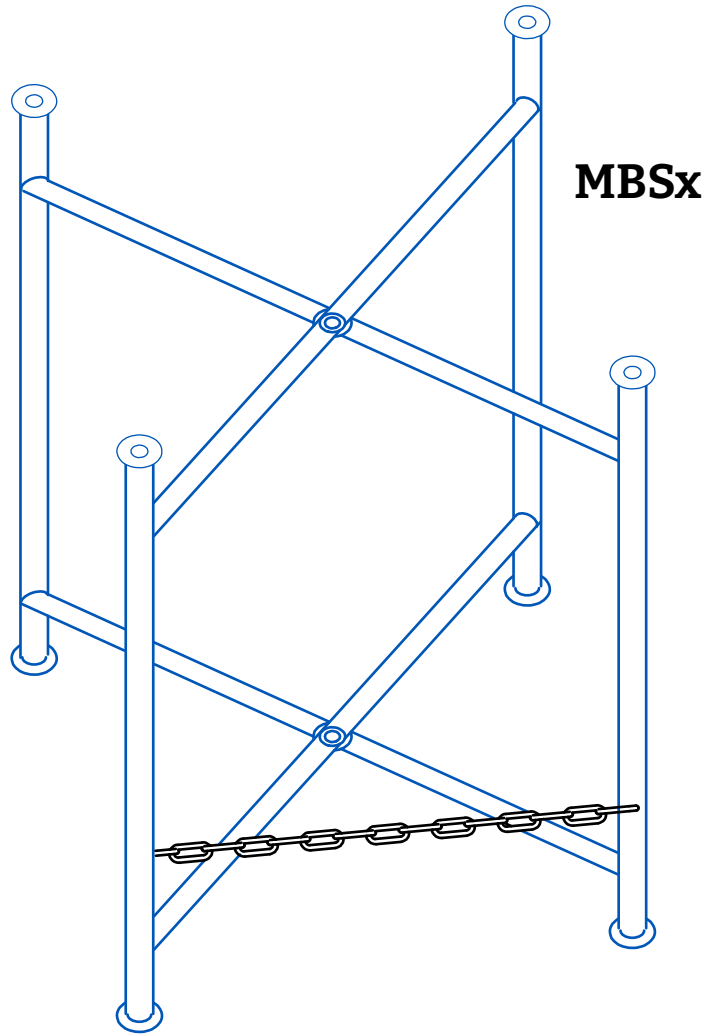
Los Angeles: 562.907.7837  
New York: 718.456.3218





# MORTAR BOARD STAND

STEPUP - RINGLOCK



Item Number	Description	Width		Height		Weight	
		in	mm	in	mm	Lbs	Kg
<b>MBS20-30</b>	Mortar Board Stand - 20"x30"	20	508	30 3/8	770	17.0	7.7
<b>MBS36-30</b>	Mortar Board Stand - 36"x30"	36	914	30 3/8	770	23.6	10.7
<b>MBS48-30</b>	Mortar Board Stand - 48"x30"	48	1,219	30 3/8	770	34.5	15.6
<b>MBS60-30</b>	Mortar Board Stand - 60"x30"	60	1,524	30 3/8	770	40.4	18.3
<b>MBS72-30</b>	Mortar Board Stand - 72"x30"	72	1,829	30 3/8	770	46.4	21.1

Atlanta: 770.577.4222  
Houston: 713.678.8877

Updated February 2024

[www.stepupscaffold.com](http://www.stepupscaffold.com)

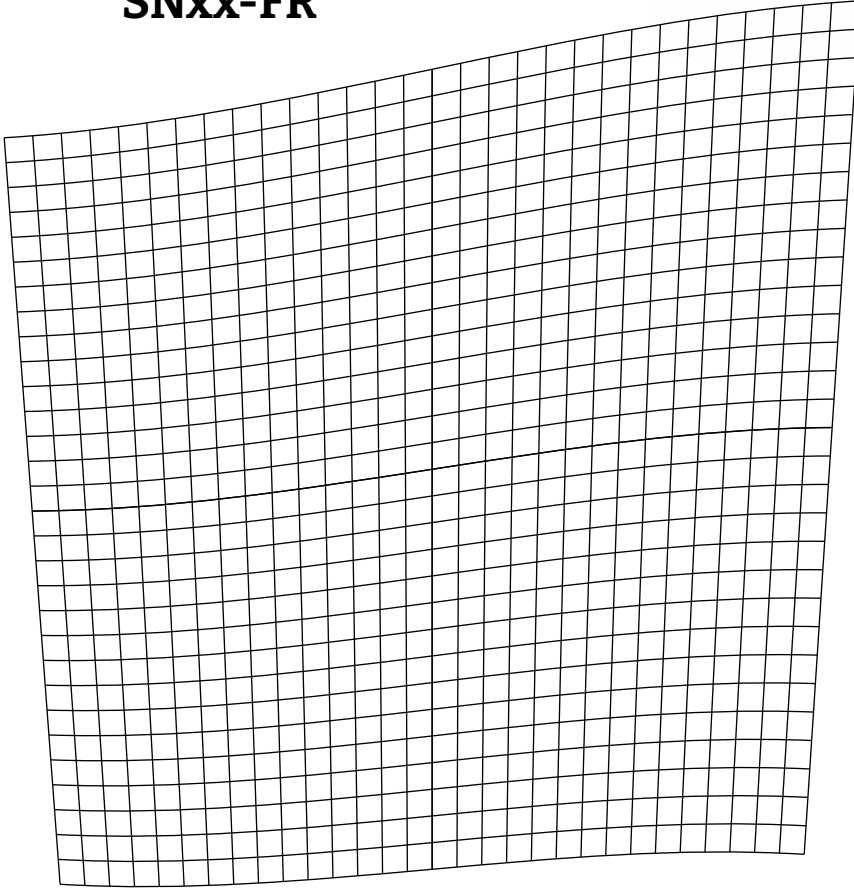
Los Angeles: 562.907.7837  
New York: 718.456.3218



# SCAFFOLD NETTING & TARP

STEPUP - FRAME & BRACE

SNxx-FR



Item Number	Description	Width		Length		Weight		Stocking Location
		in	mm	Ft	M	Lbs	Kg	
SN8150-FR	8 ½'x150' Heavy Duty, Fire Retardant, Debris Netting	102	2,591	150	46	50.2	22.8	NY
SN8150-FR-B	8 ½'x150' Safety Debris Netting Flame-Retardant with 1/4" hole	102	2,591	150	46	26.1	11.8	NY
SN2050-FR	20'x50' Black, Fire Retardant, Debris Netting	240	6,096	50	15	43.0	19.5	LA

Atlanta: 770.577.4222  
Houston: 713.678.8877

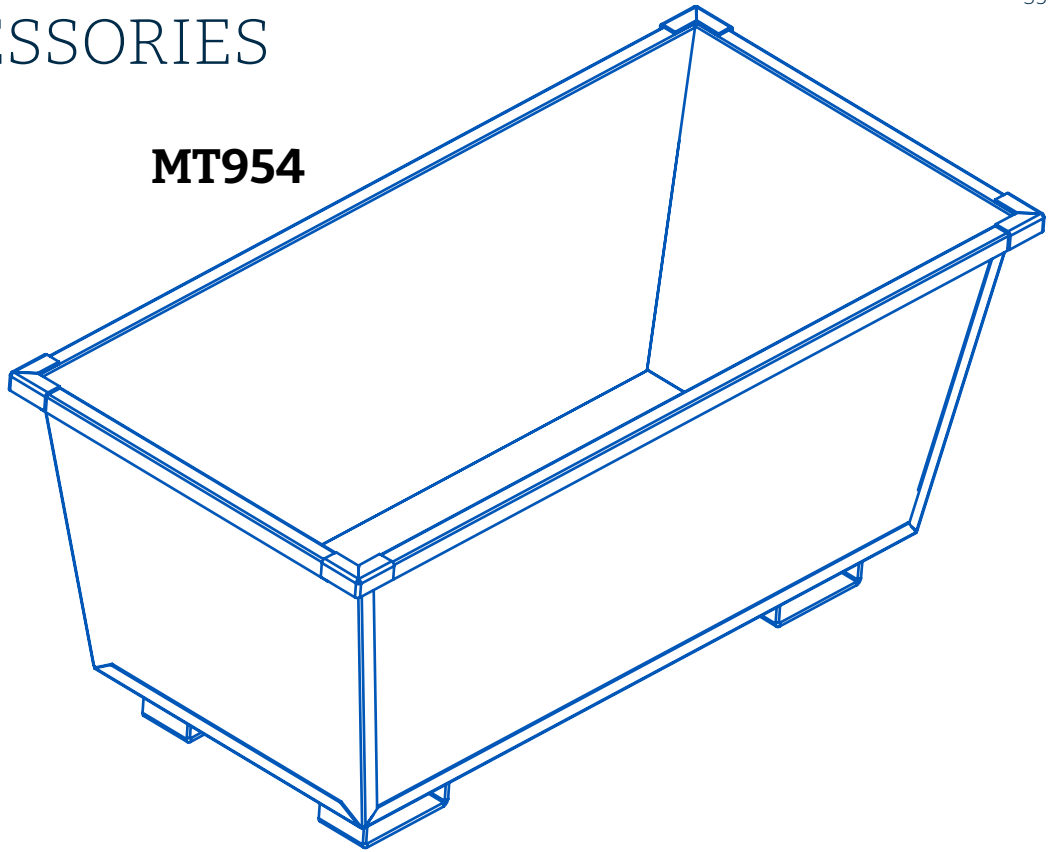
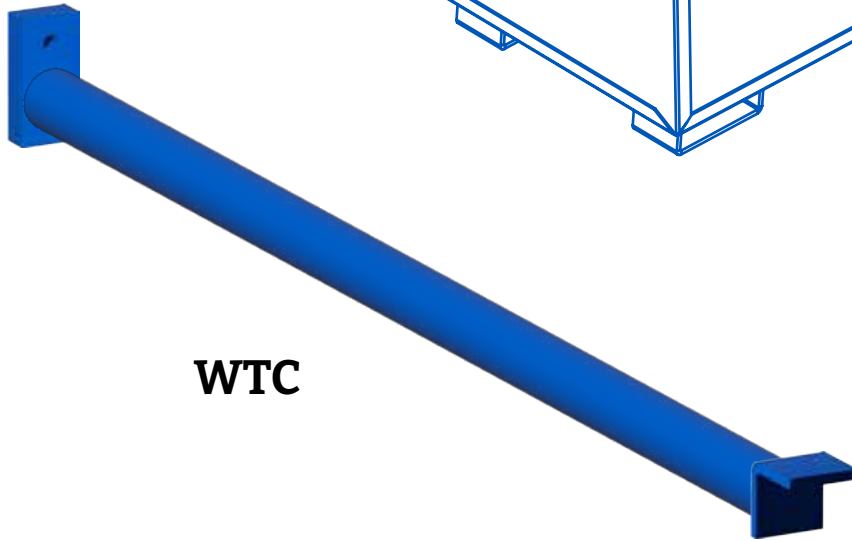
Los Angeles: 562.907.7837  
New York: 718.456.3218

Updated February 2024

www.stepupscaffold.com



## OTHER ACCESSORIES

**MT954****WTC**

STEPUP - RINGLOCK

Item Number	Description	Height		Width		Length		Weight	
		in	mm	in	mm	Ft	M	Lbs	Kg
<b>MT954</b>	10 Gauge Mortar Tub, 10 Cubic Ft (0.28 Cu. M)	21	533	23 5/8	599	4	1.22	85.5	38.8
<b>PJ27-48</b>	Pallet Jack; 5,500 lb. Capacity	48	1,219	27	686	-	-	183.0	83.0
<b>STW-12</b>	12 Gauge Black Annealed Steel Tie Wire	-	-	0.1	3	3,400	1,036	100.0	45.4
<b>WTC</b>	Wall Tying Component	50	1,270	-	-	-	-	8.1	3.7
<b>WTC-36</b>	Wall Tying Component - 36" Length	36	914	-	-	-	-	6.2	2.8

Atlanta: 770.577.4222  
Houston: 713.678.8877

Updated February 2024

[www.stepupscaffold.com](http://www.stepupscaffold.com)

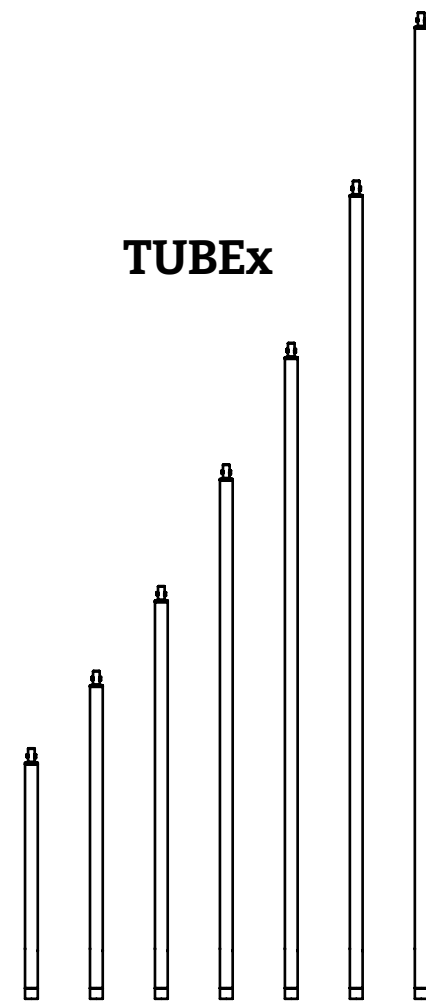
Los Angeles: 562.907.7837  
New York: 718.456.3218



# TUBE & CLAMP

## TUBES

STEPUP - FRAME & BRACE



Item Number	Description	Weight	
		Lbs	Kg
TUBE2*	Tube with End Fitting - 2'	6.0	2.7
TUBE4	Tube with End Fitting - 4'	9.7	4.4
TUBE6	Tube with End Fitting - 6'	13.2	6.0
TUBE8	Tube with End Fitting - 8'	17.0	7.7
TUBE10	Tube with End Fitting - 10'	20.5	9.3
TUBE13	Tube with End Fitting - 13'	26.0	11.8
TUBE16	Tube with End Fitting - 16'	31.3	14.2
TUBE20*	Tube with End Fitting - 20'	38.9	17.6
TUBE24*	Tube with End Fitting - 24'	46.2	21.0

Item Number	Description	Weight	
		Lbs	Kg
TUBEM0250*	Tube with End Fitting - 0.25M (10")	3.9	1.8
TUBEM0500*	Tube with End Fitting - 0.50M (1' 8")	5.4	2.4
TUBEM1000*	Tube with End Fitting - 1.00M (3' 3")	8.4	3.8
TUBEM1500*	Tube with End Fitting - 1.50M (4' 11")	11.4	5.2
TUBEM2000*	Tube with End Fitting - 2.00M (6' 7")	14.4	6.5
TUBEM2500*	Tube with End Fitting - 2.50M (8' 2")	17.4	7.9
TUBEM3000*	Tube with End Fitting - 3.00M (9' 10")	20.3	9.2
TUBEM4000*	Tube with End Fitting - 4.00M (13' 1")	26.3	11.9

\* Special order item. Contact your STEPUP Agent.

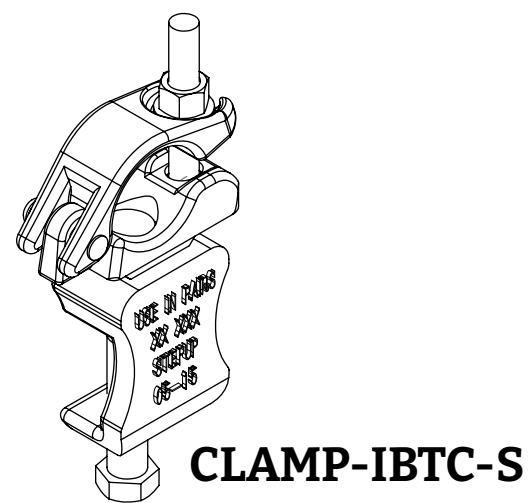
Continued on next page

Continued from previous page

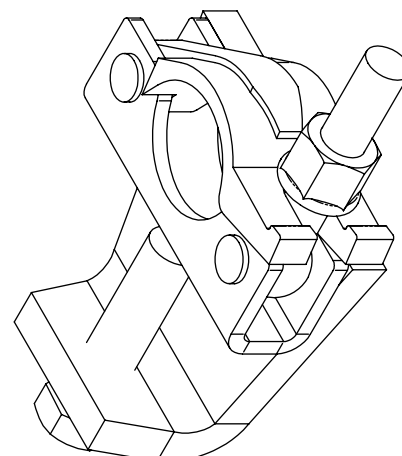
# TUBE & CLAMP (CONTINUED)

## CLAMPS

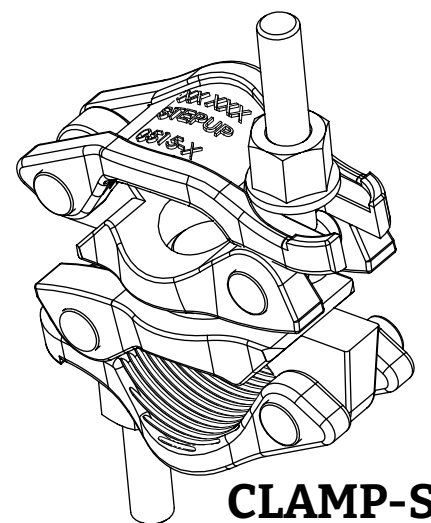
STEPUP - FRAME & BRACE



CLAMP-IBTC-S



CLAMP-IBTC



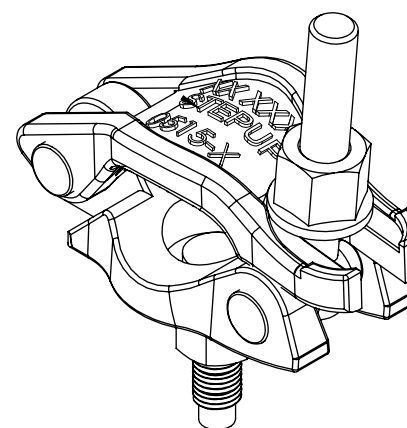
CLAMP-S



CLAMP-JP-P



S-CLAMPR



CLAMP-HN

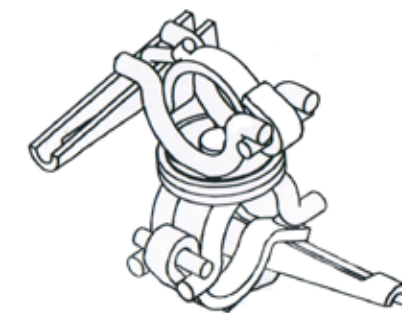
Continued on next page

Continued from previous page

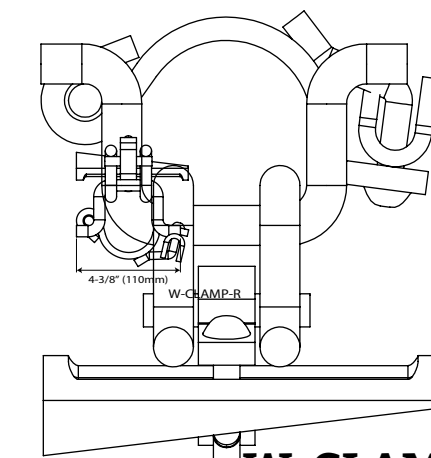
# TUBE & CLAMP (CONTINUED)

## CLAMPS

STEPUP - RINGLOCK



W-CLAMP-S

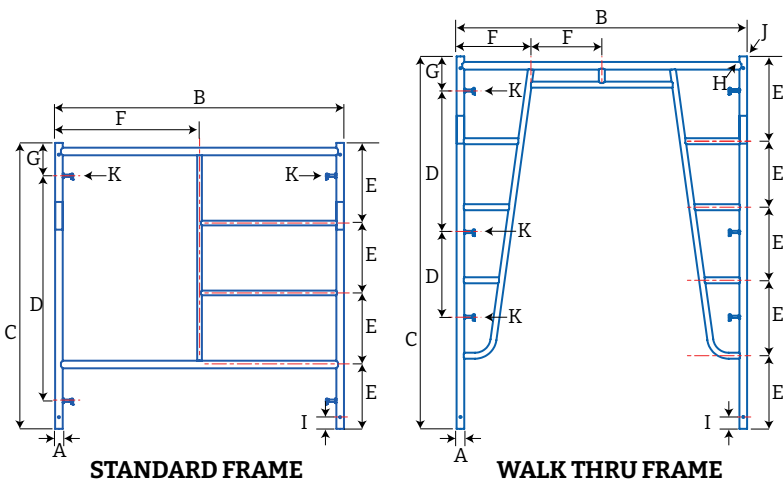


W-CLAMP-R

Item Number	Description	Weight	
		Lbs	Kg
CLAMP-IBTC-S	Swivel Beam Clamp	3.3	1.5
CLAMP-IBTC	I-Beam Tube Clamp	3.6	1.6
CLAMP-R	Right Angle Clamp Forged-UK Style	3.4	1.6
CLAMP-S	Drop Forged Swivel Coupler-UK Style	3.8	1.7
CLAMP-JP-P	Pressed Steel Joint Pin	1.6	0.7
CLAMP-HN	Half Clamp with Hexagonal Nut	2.0	0.9
W-CLAMP-S	Swivel Wedge Clamp	3.6	1.6
W-CLAMP-R	Right Angle Wedge Clamp	3.2	1.5

# SPECIAL ORDERS

**NEED SOMETHING SPECIFIC? WE CAN MAKE IT!**

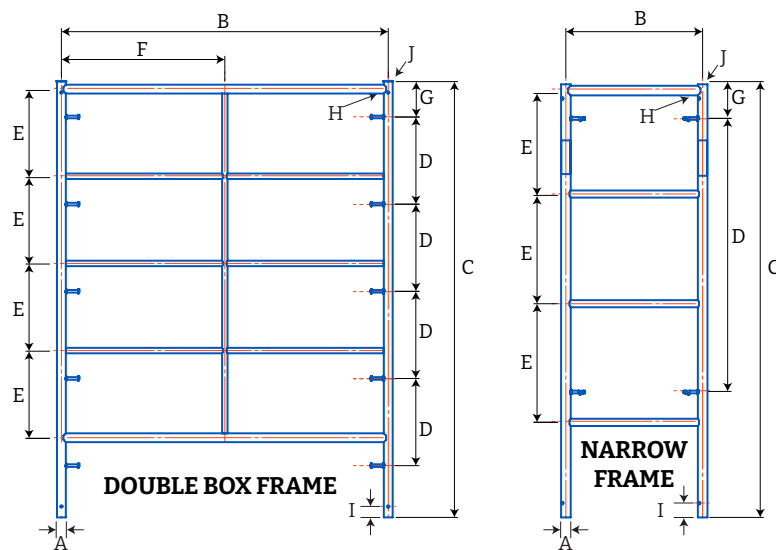


A	Diameter of Tubing (1-1/2", 1/5/8", 1-11/16")
B	Width of Frame - Outside to Outside
C	Height of Leg - Top to Bottom
D	Exact Lock Spacing Between Locks
E	Bottom to Center, Center to All Steps and Horizontal Tubing
F	Side of Frame to Center of Vertical Tubing
G	Top of Leg to Center of First Lock
H	Top of Leg to Top of Horizontal
I	Bottom of Leg to Center of Hole
J	Angle of Hole
K	Lock Type

**STEPUP - RINGLOCK**

## TELL US WHAT YOU WANT

**Pick & Choose the Customization You Need**



	Number
A	
B	
C	
D	
E	
F	
G	
H	
I	
J	
K	



**L1**  
W Lock



**L2**  
Flip Lock



**L3**  
Drop Lock



**L4**  
Snap-On Lock



**L5**  
V-Lock



**L6**  
BJ Lock



**L7**  
Canadian Lock



**RL3**  
Replaceable Drop Lock

Atlanta: 770.577.4222  
Houston: 713.678.8877

Los Angeles: 562.907.7837  
New York: 718.456.3218

Updated February 2024

www.stepupscaffold.com





**Glasgow, Scotland**  
**Copenhagen, Denmark**

**Atlanta, Houston,**  
**Los Angeles, New York,**  
**and Memphis, USA**

**Barranquilla, Colombia**

**LET STEPUP HELP YOU GROW YOUR BUSINESS**

STEPUP Scaffold, a division of Sunshine Enterprises, started in 1998 and quickly became one of the largest importers, and manufacturers of scaffolding and access equipment in the North American market. Throughout the years, STEPUP Scaffold has continued to diversify our product lines and

capabilities to meet the needs of our customers and the industries we serve. We have focused our business structure to best serve scaffolding companies and contractors, helping them to grow their businesses.



**STEPUP**