

STEPUP CUPLOCK CATALOG



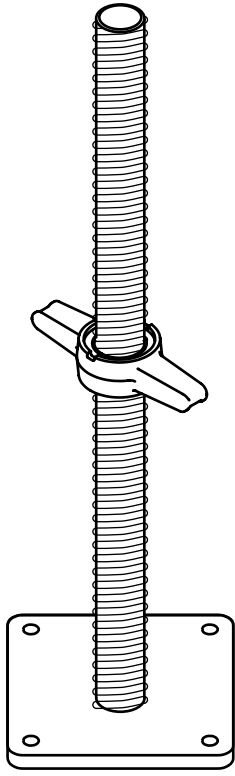
STEPUP

CUPLOCK SCAFFOLD

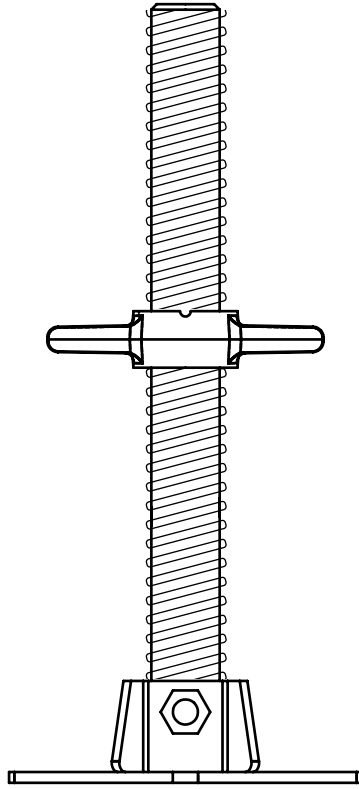
BASE PRODUCTS	3
VERTICALS.....	4
HORIZONTALS.....	5
CUPLOCK TRUSS BEAMS.....	6
SWIVEL FACE BAY BRACES	7
9" WIDE, HIGH DECK, STEEL PLANKS.....	9
9" WIDE, DOG EAR PLANKS.....	10
ADJUSTABLE TOE BOARDS.....	11
BOARD BRACKETS.....	12
LADDERS & BRACKETS.....	13
STORAGE RACKS & BASKETS	16
STAIR STRINGERS & TREADS.....	17
OTHER ACCESSORIES	18
TUBE & CLAMP.....	19

BASE PRODUCTS

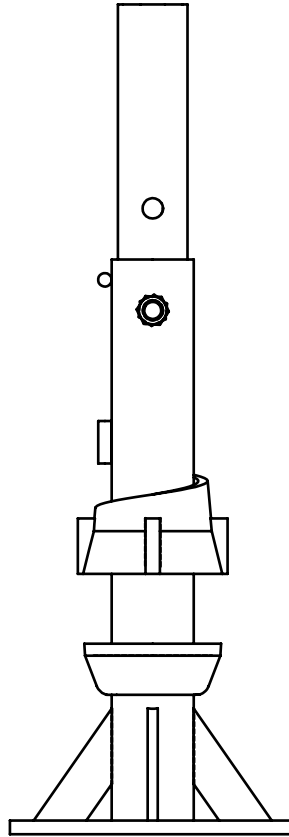
STEPUP - CUPLOCK



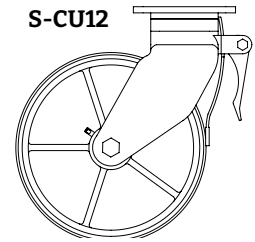
S-SJB



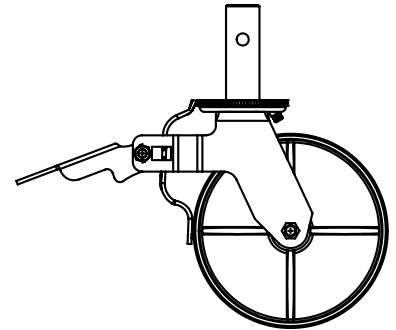
S-SJS



S-CCA



S-CU12



C8P

Item Number	Description	Weight	
		Lb.	Kg
S-SJB	System crew Jack	8.5	3.9
S-SJS	System Swivel Screw Jack	11.2	5.1
S-CCA	Cuplock Caster Adapter	9.4	4.3
S-CU12	12" Scaffold Caster	39.7	18.0
C8P	8" Scaffold Caster	13.4	6.1

Atlanta: 770.577.4222
Houston: 713.678.8877

Updated: February 2024

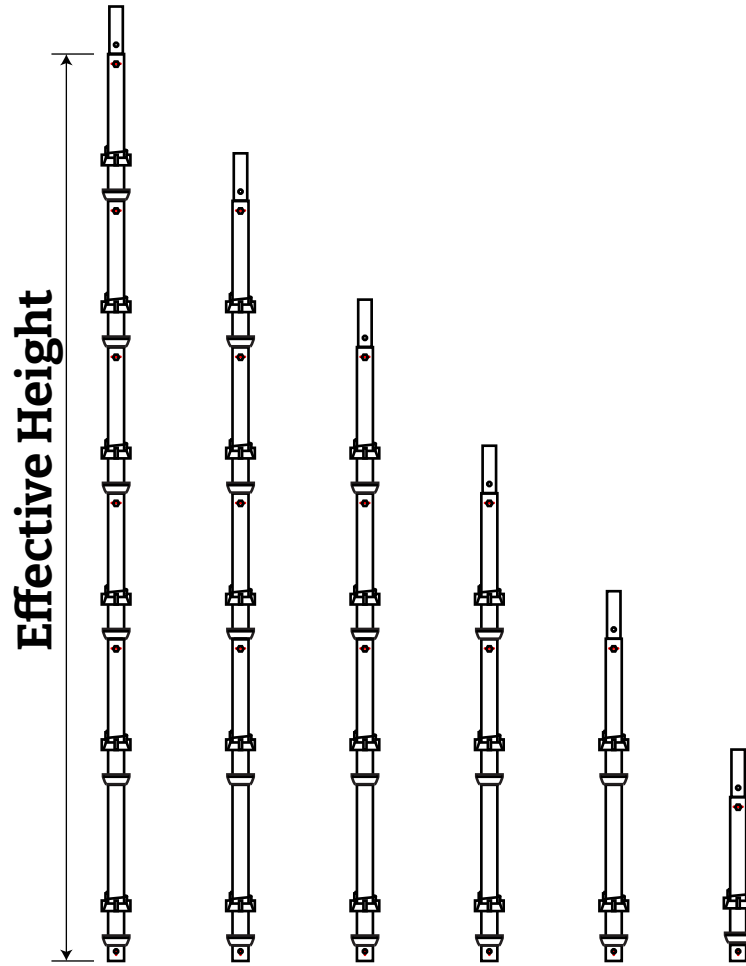
www.stepupscaffold.com

Los Angeles: 562.907.7837
New York: 718.456.3218



VERTICALS

STEPUP - CUPLOCK



Item Number	Description	Effective Height		Weight	
		In.	M	Lbs	Kg
S-CV10	1 Cup Leg (0.5M)	19 5/8	0.50	7.4	3.4
S-CV33	2 Cup Leg (1M)	39 3/8	1.00	13.0	5.9
S-CV411	3 Cup Leg (1.5M)	59	1.50	18.6	8.5
S-CV66	4 Cup Leg (2M)	78 6/8	2.00	24.2	11.0
S-CV82	5 Cup Leg (2.5M)	98 3/8	2.50	29.8	13.5
S-CV910	6 Cup Leg (3M)	118 1/8	3.00	35.4	16.1

Atlanta: 770.577.4222
Houston: 713.678.8877

Updated: February 2024

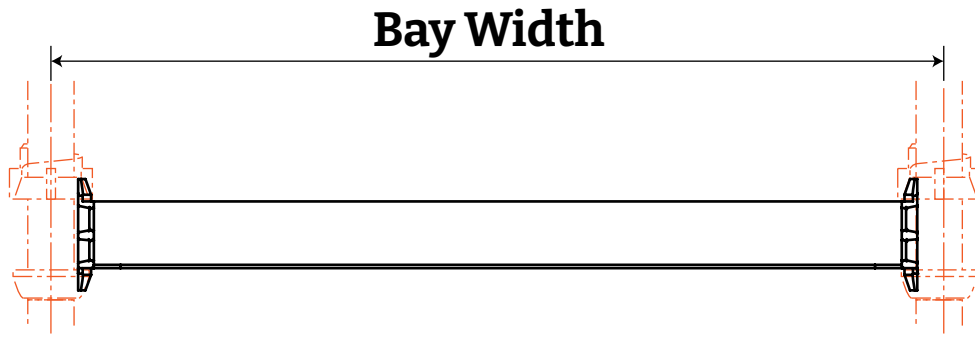
www.stepupsccaffold.com

Los Angeles: 562.907.7837
New York: 718.456.3218



HORIZONTALS

STEPUP - CUPLOCK



Item Number	Description	L - Effective Length		Weight	
		In.	mm	Lbs	Kg
S-CH10	Horizontal - 1'	12	305	3.2	1.44
S-CH110	Horizontal - 1'10"	22	560	5.2	2.34
S-CH27	Horizontal - 2'7"	31	788	7.0	3.16
S-CH211*	Horizontal - 2'11"	35	900	7.8	3.55
S-CH30	Horizontal - 3'	36	914	7.9	3.6
S-CH36	Horizontal - 3'6"	42	1,067	9.1	4.15
S-CH40	Horizontal - 4'	48	1,219	10.3	4.69
S-CH41	Horizontal - 4'1"	49 1/4	1,250	10.6	4.8
S-CH50	Horizontal - 5'	60	1,524	12.7	5.77
S-CH60	Horizontal - 6'	72	1,829	15.1	6.86
S-CH70	Horizontal - 7'	84	2,134	17.5	7.94
S-CH80	Horizontal - 8'	96	2,438	19.9	9.03
S-CH90	Horizontal - 9'	108	2,743	22.3	10.11
S-CH100	Horizontal - 10'	120	3,048	24.7	11.19
S-CHM1300*	Horizontal - 1.3M	51 1/8	1,300	11.0	4.98
S-CHM1800*	Horizontal - 1.8M	70 7/8	1,800	14.9	6.76
S-CHM2500*	Horizontal - 2.5M	98 3/8	2,500	20.4	9.25

* Special order item. Contact your STEPUP Agent.

Atlanta: 770.577.4222
Houston: 713.678.8877

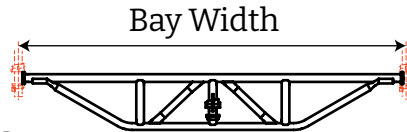
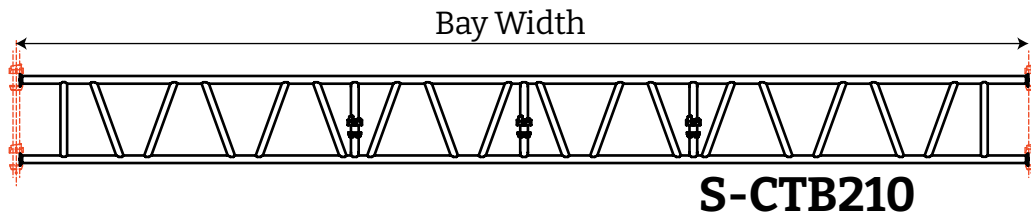
Updated: February 2024

www.stepupscaffold.com

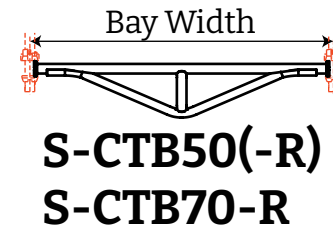
Los Angeles: 562.907.7837
New York: 718.456.3218



CUPLOCK TRUSS BEAMS



S-CTB80-R
S-CTB100-R
S-CTB120(-R)
S-CTB140(-R)
S-CTB160-R
S-CTB180(-R)



Item Number	Description	Effective Length		Weight	
		Ft	M	Lbs	Kg
S-CTB50	Cuplock Truss Beam - 5'	5	1.524	25.3	11.5
S-CTB50-R	Cuplock Truss Beam - 5'	5	1.524	23.8	10.8
S-CTB70-R	Cuplock Truss Beam - 7'	7	2.134	29.2	13.2
S-CTB80-R	Cuplock Truss Beam - 8'	8	2.438	44.9	20.4
S-CTB90-R*	Cuplock Truss Beam - 9'	9	2.743	50.9	23.1
S-CTB100-R	Cuplock Truss Beam - 10'	10	3.048	55.5	25.2
S-CTB120	Cuplock Truss Beam - 12'	12	3.658	66.1	30.0
S-CTB120-R	Cuplock Truss Beam - 12'	12	3.658	70.7	32.1
S-CTB140	Cuplock Truss Beam - 14'	14	4.267	75.3	34.1
S-CTB140-R	Cuplock Truss Beam - 14'	14	4.267	80.5	36.5
S-CTB160-R	Cuplock Truss Beam - 16'	16	4.877	89.9	40.8
S-CTB180	Cuplock Truss Beam - 18'	18	5.486	96.1	43.6
S-CTB180-R	Cuplock Truss Beam - 18'	18	5.486	96.1	43.6
S-CTB210	Cuplock Truss Beam - 21'	21	6.401	167.1	75.8

* Special order item. Contact your STEPUP Agent.

Atlanta: 770.577.4222
 Houston: 713.678.8877

Updated: February 2024

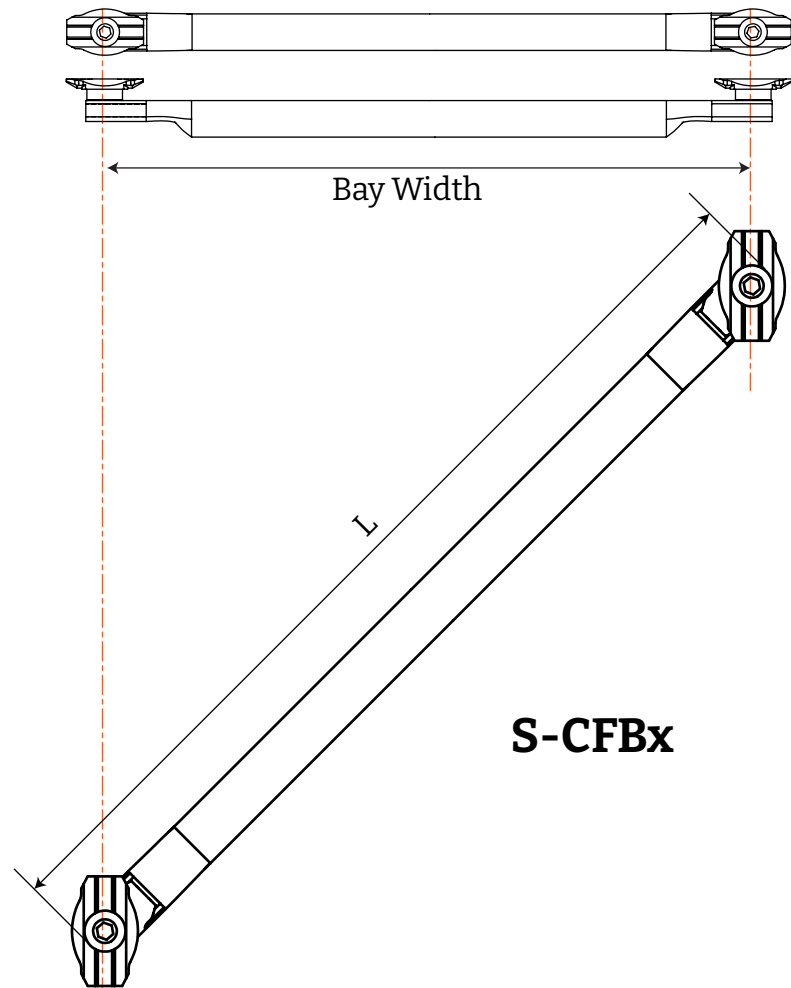
www.stepupscaffold.com

Los Angeles: 562.907.7837
 New York: 718.456.3218



STEPUP - CUPLOCK

SWIVEL FACE BAY BRACES



S-CFBx

Item Number	Description	Bay Width		L		Weight	
		Ft	M	In.	mm	Lbs	Kg
S-CFB50	Swivel Face Brace - 5'	5	1.52	101	2,565	22.3	10.1
S-CFB70	Swivel Face Brace - 7'	7	2.13	117 1/8	2,975	25.6	11.6
S-CFB80	Swivel Face Brace - 8'	8	2.44	126 1/8	3,204	26.5	12.0
S-CFB100	Swivel Face Brace - 10'	10	3.05	145 1/2	3,696	31.2	14.2

Item Number	Description	W - Bay Width		L		Weight	
		In	M	In.	mm	Lbs	Kg
S-CFBM1800*	Swivel Face Brace - 1.8M	70 7/8	1.8	107 7/8	2,741	23.7	10.8
S-CFBM2500*	Swivel Face Brace - 2.5M	98 3/8	2.5	128	3,252	27.3	12.4

* Special order item. Contact your STEPUP Agent.

Continued on next page

Atlanta: 770.577.4222
Houston: 713.678.8877

Updated: February 2024

www.stepupsccaffold.com

Los Angeles: 562.907.7837
New York: 718.456.3218



Atlanta: 770.577.4222
Houston: 713.678.8877

Updated: February 2024

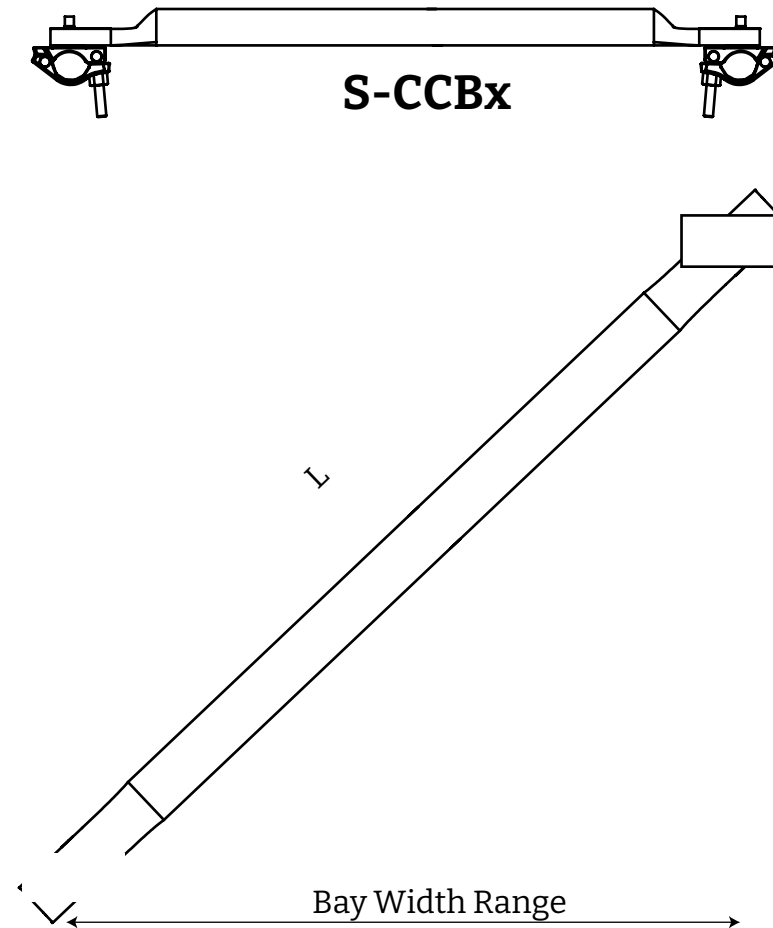
www.stepupsccaffold.com

Los Angeles: 562.907.7837
New York: 718.456.3218



Continued from previous page

SWIVEL CLAMP BAY BRACES



S-CCBx

Item Number	Description	Bay Width Range		L		Weight	
		Ft	M	In.	mm	Lbs	Kg
S-CCB50	Swivel Clamp Bay Brace - 6'6"	3 - 5	0.9 - 1.5	78	1,981	16.1	7.3
S-CCB70	Swivel Clamp Bay Brace - 9'7"	5 - 7	1.6 - 2.1	115 1/8	2,925	21.8	9.9
S-CCB80*	Swivel Clamp Bay Brace - 10' 4 1/4"	6 - 8	1.9 - 2.4	124 1/8	3,154	23.1	10.5
S-CCB82	Swivel Clamp Bay Brace - 10'6"	6 - 8 1/2	1.9 - 2.5	126	3,202	23.4	10.6
S-CCB86	Swivel Clamp Bay Brace - 10' 8"	6 - 8 1/2	1.9 - 2.5	128	3,259	23.8	10.8
S-CCB100	Swivel Clamp Bay Brace - 12'	8 1/2 - 10	2.6 - 3.0	143 1/2	3,646	26.1	11.8

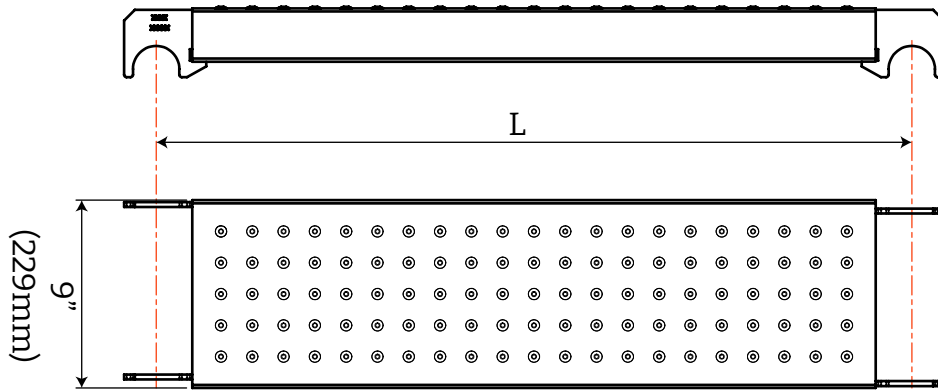
* Special order item. Contact your STEPUP Agent.

STEPUP - RINGLOCK

STEPUP - RINGLOCK

9" WIDE, HIGH DECK, STEEL PLANKS

STEPUP - CUPLOCK



S-SPx

Item Number	Description	L		Weight	
		In	mm	Lbs	Kg
S-SP2	Steel Plank - 2' (1.8mm thick)	24	610	10.3	4.7
S-SP27	Steel Plank - 2'7" (1.8mm thick)	31	787	12.5	5.7
S-SP3	Steel Plank - 3' (1.8mm thick)	36	914	14.1	6.4
S-SP36	Steel Plank - 3'6" (1.8mm thick)	42	1,067	16.0	7.27
S-SP4	Steel Plank - 4' (1.8mm thick)	48	1,219	17.9	8.13
S-SP5	Steel Plank - 5' (1.8mm thick)	60	1,524	21.7	9.86
S-SP6	Steel Plank - 6' (1.8mm thick)	72	1,829	25.6	11.59
S-SP7	Steel Plank - 7' (1.8mm thick)	84	2,134	29.4	13.32
S-SP8	Steel Plank - 8' (1.8mm thick)	96	2,438	33.2	15.05
S-SP9	Steel Plank - 9' (1.8mm thick)	108	2,743	37.0	16.78
S-SP10	Steel Plank - 10' (1.8mm thick)	120	3,048	40.8	18.51

* Special order item. Contact your STEPUP Agent.

Atlanta: 770.577.4222
Houston: 713.678.8877

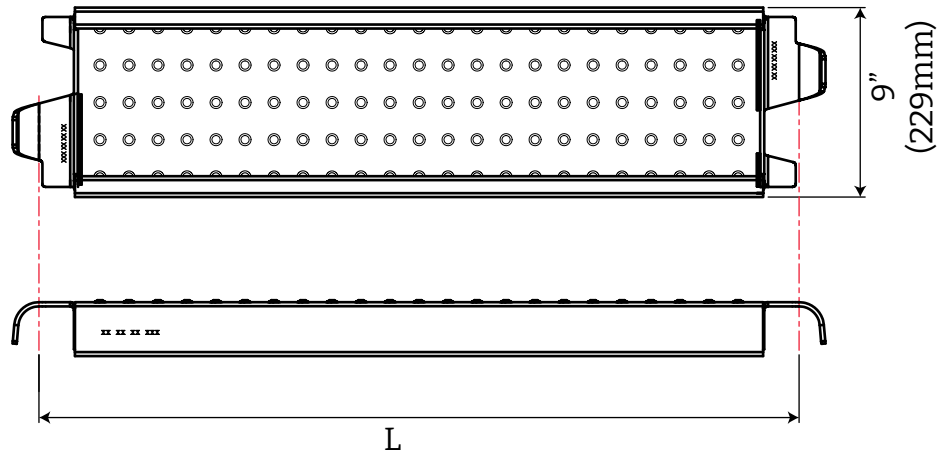
Los Angeles: 562.907.7837
New York: 718.456.3218

Updated: February 2024

www.stepupscaffold.com



9" WIDE, DOG EAR PLANKS



S-SPx-DE

Item Number	Description	L		Weight	
		In	mm	Lbs	Kg
S-SP27-DE	Dog Ear Steel Plank - 2'7"	31	787	13.1	5.9
S-SP3-DE*	Dog Ear Steel Plank - 3'	36	914	14.7	6.7
S-SP36-DE	Dog Ear Steel Plank - 3'6"	42	1,067	16.6	7.5
S-SP4-DE	Dog Ear Steel Plank - 4'	48	1,219	18.5	8.4
S-SP5-DE	Dog Ear Steel Plank - 5'	60	1,524	22.3	10.1
S-SP6-DE	Dog Ear Steel Plank - 6'	72	1,829	26.1	11.9
S-SP7-DE	Dog Ear Steel Plank - 7'	84	2,134	29.9	13.6
S-SP8-DE	Dog Ear Steel Plank - 8'	96	2,438	33.7	15.3
S-SP9-DE	Dog Ear Steel Plank - 9'	108	2,743	37.5	17.0
S-SP10-DE	Dog Ear Steel Plank - 10'	120	3,048	48.0	21.7
S-SPM0885-DE	Dog Ear Steel Plank - 0.88M (2' 11")	34 7/8	885	14.3	6.5
S-SPM1150-DE	Dog Ear Steel Plank - 1.15M (3' 9")	45 1/4	1150	17.6	8.0
S-SPM1572-DE	Dog Ear Steel Plank - 1.572M (5' 2")	61 7/8	1572	22.9	10.4
S-SPM2572-DE	Dog Ear Steel Plank - 2.572M (8' 6")	101 1/4	2572	35.4	16.1

* Special order item. Contact your STEPUP Agent.

Atlanta: 770.577.4222
Houston: 713.678.8877

Updated: February 2024

www.stepupsccaffold.com

Los Angeles: 562.907.7837
New York: 718.456.3218

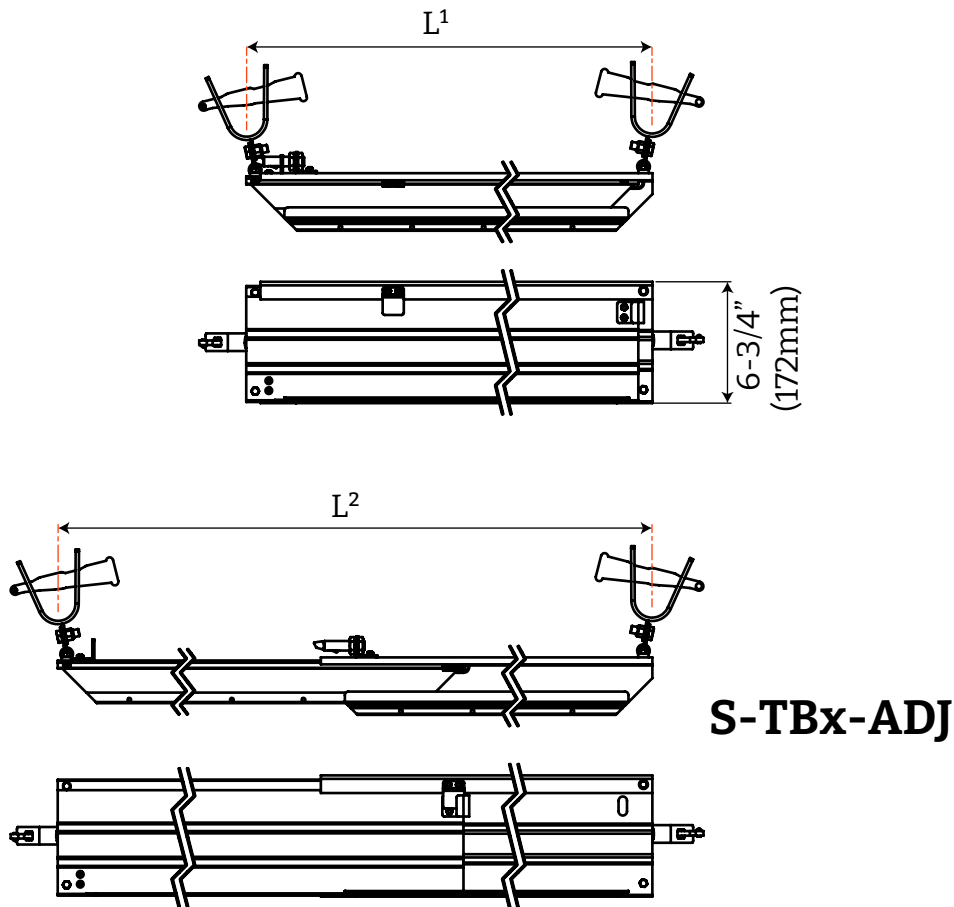


STEPUP

STEPUP - CUPLOCK

ADJUSTABLE TOE BOARDS

STEPUP - CUPLOCK

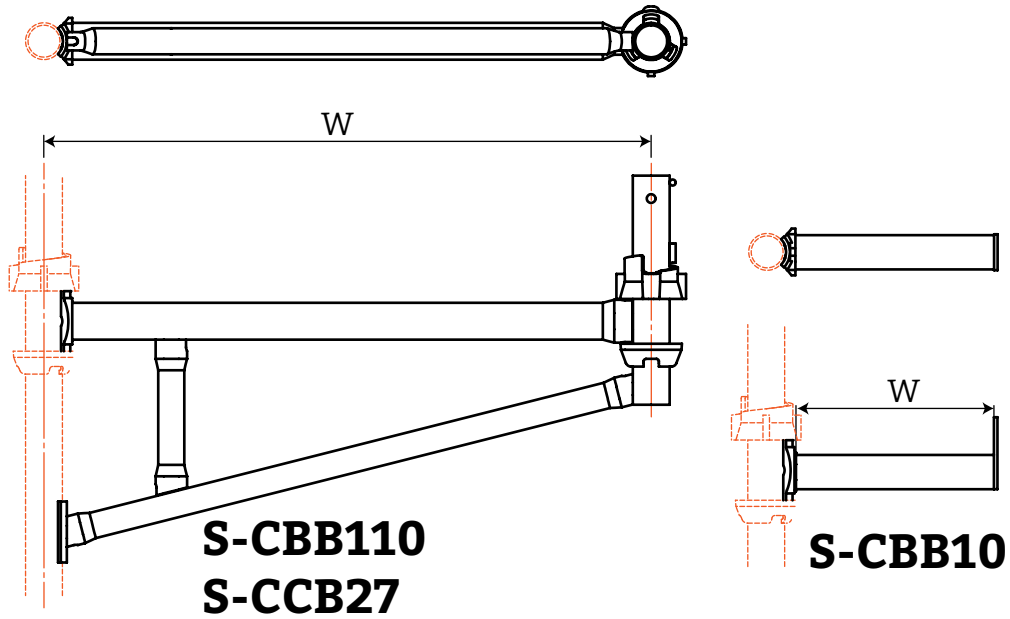


Item Number	Description	L ¹ - Min		L ² - Max		Weight	
		In	mm	In	mm	Lb.	Kg
S-TB25-38-ADJ	Adjustable Toe Board 25" to 38"	25 1/4	642.9	38 1/2	978	12.6	5.7
S-TB39-66-ADJ	Adjustable Toe Board 39" to 66"	39	992	65 1/2	1,664	17.7	8.1
S-TB67-120-ADJ	Adjustable Toe Board 67" to 120"	67 1/4	1,708	120 3/8	3,058	28.4	12.9



BOARD BRACKETS

STEPUP - CUPLOCK



Item Number	Description	W		Number of Boards	Weight	
		In.	mm		Lbs	Kg
S-CBB100	Board Bracket - 1' (1 Board)	11 3/8	290	1	3.3	1.5
S-CBB110	Board Bracket 1'10 -1/4" (2 Boards)	22 1/4	565	2	12.0	5.5
S-CBB27	Board Bracket 2'7-5/16" (3 Boards)	31 1/4	795	3	14.8	6.7

Atlanta: 770.577.4222
Houston: 713.678.8877

Updated: February 2024

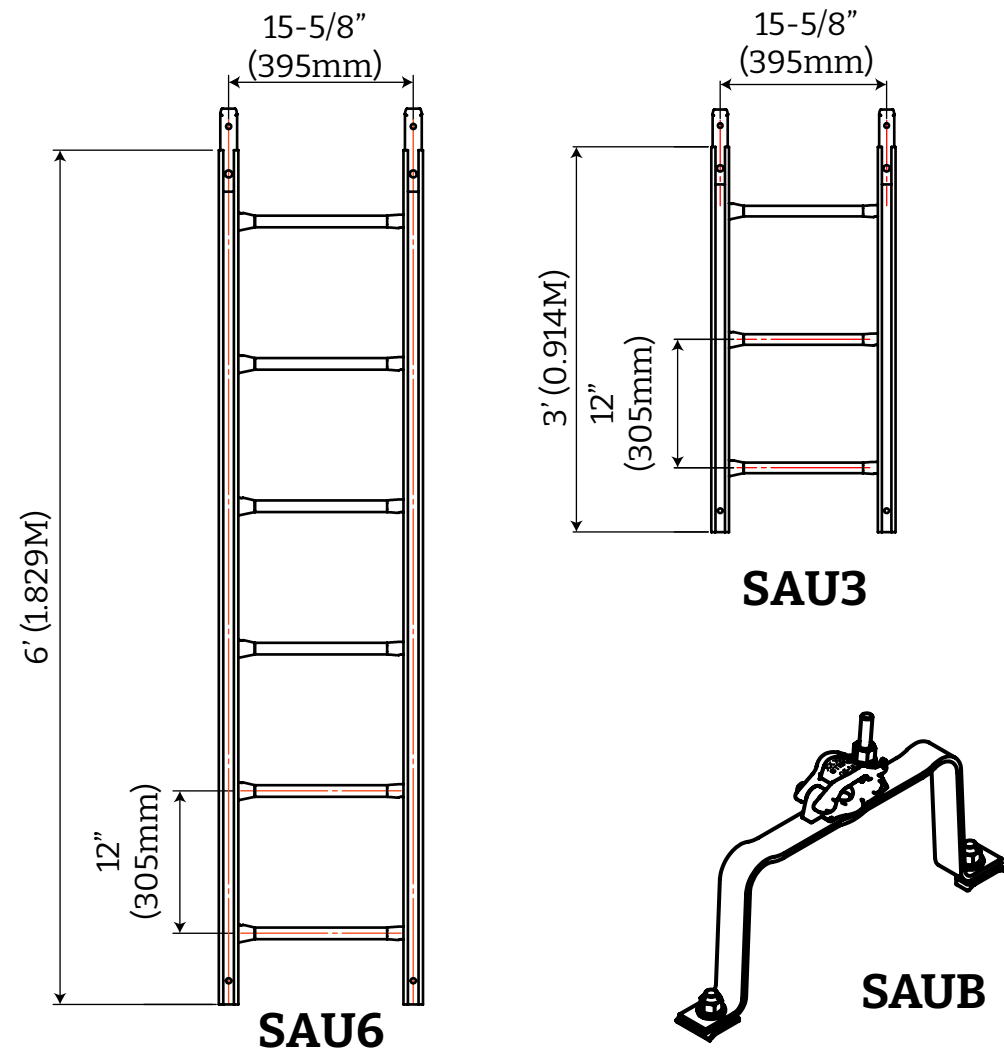
www.stepupscaffold.com

Los Angeles: 562.907.7837
New York: 718.456.3218



LADDERS & BRACKETS

STANDARD LADDER & BRACKET



Item Number	Description	Effective Height		Weight	
		Ft	M	Lbs	Kg
SAU3	3' Ladder	3	0.914	10.3	4.7
SAU6	6' Ladder	6	1.829	19.5	8.9
SAUB	Ladder Bracket	-	-	6.0	2.7

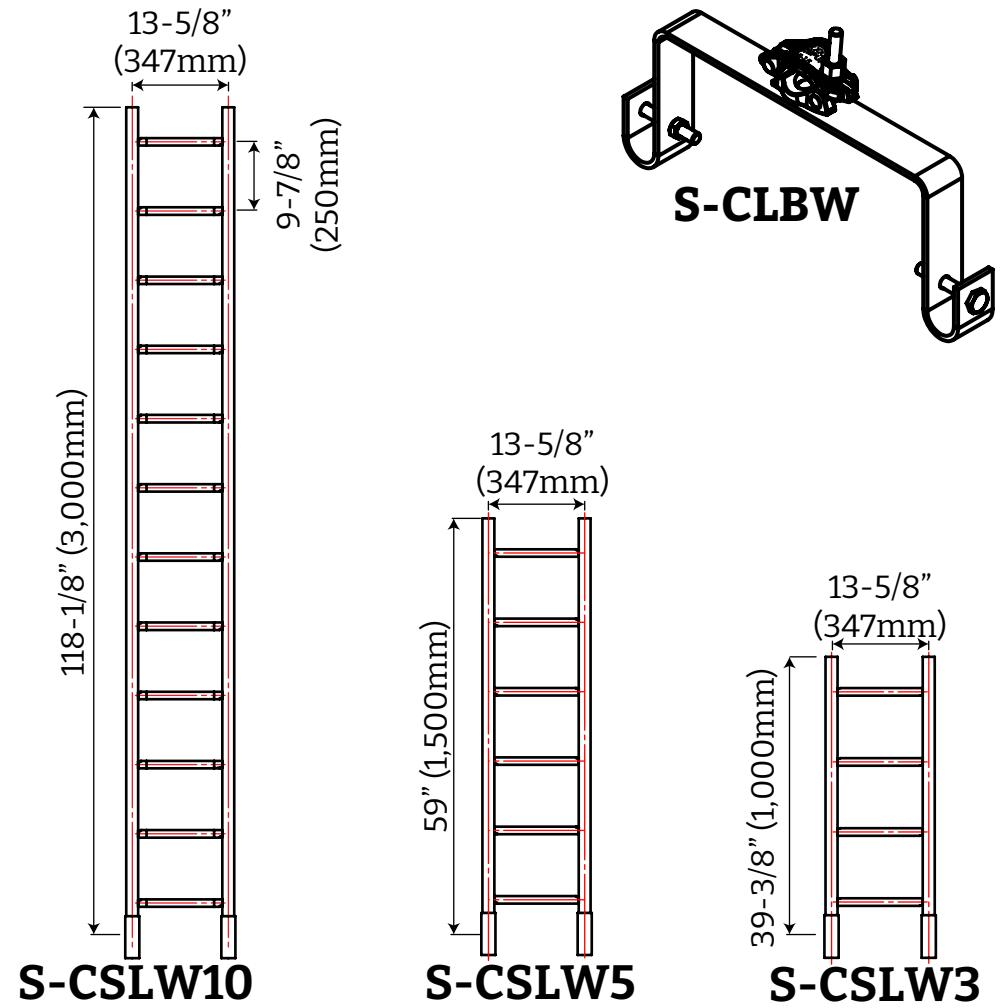
STEPUP - RINGLOCK

Continued from previous page

LADDERS & BRACKETS (CONTINUED)

TUBULAR LADDER & BRACKET

STEPUP - RINGLOCK



Item Number	Description	H		Weight	
		In.	mm	Lbs	Kg
S-CSLW3*	3' Universal System Ladder	39 3/8	1,000	16.1	7.3
S-CSLW5*	5' Universal System Ladder	59	1,500	23.3	10.6
S-CSLW10*	10' Universal System Ladder	118 1/8	3,000	45.0	20.4
S-CLBW	Universal System Ladder Bracket	-	-	6.7	3.1

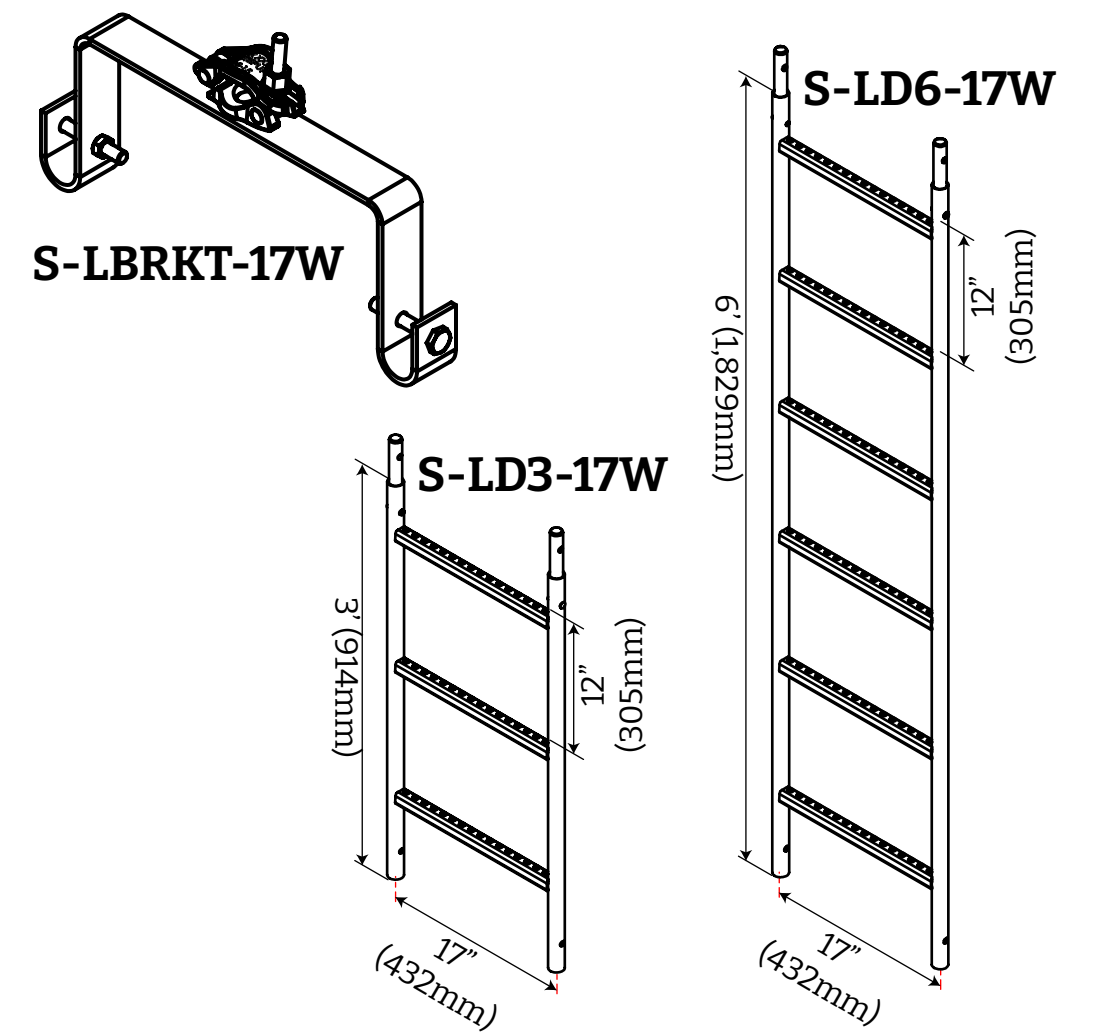
Continued on next page

Continued from previous page

LADDERS & BRACKETS (CONTINUED)

17" WIDE LADDER & BRACKET

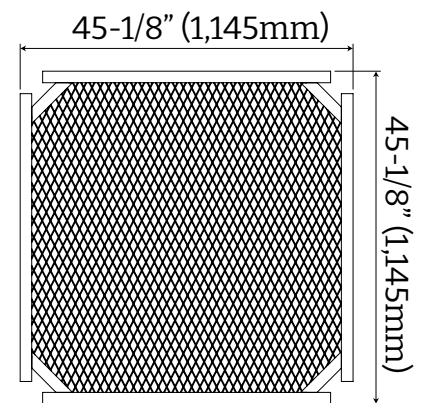
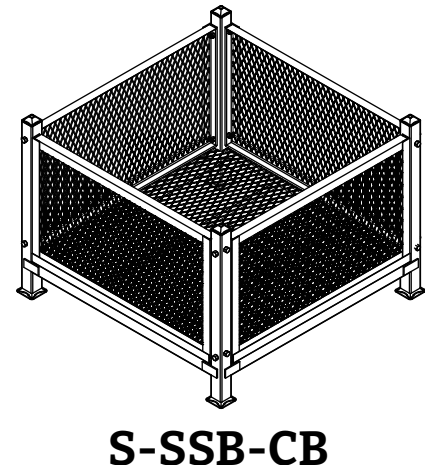
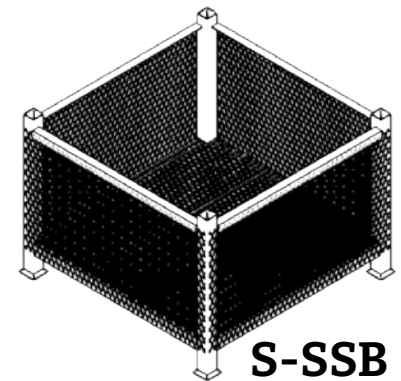
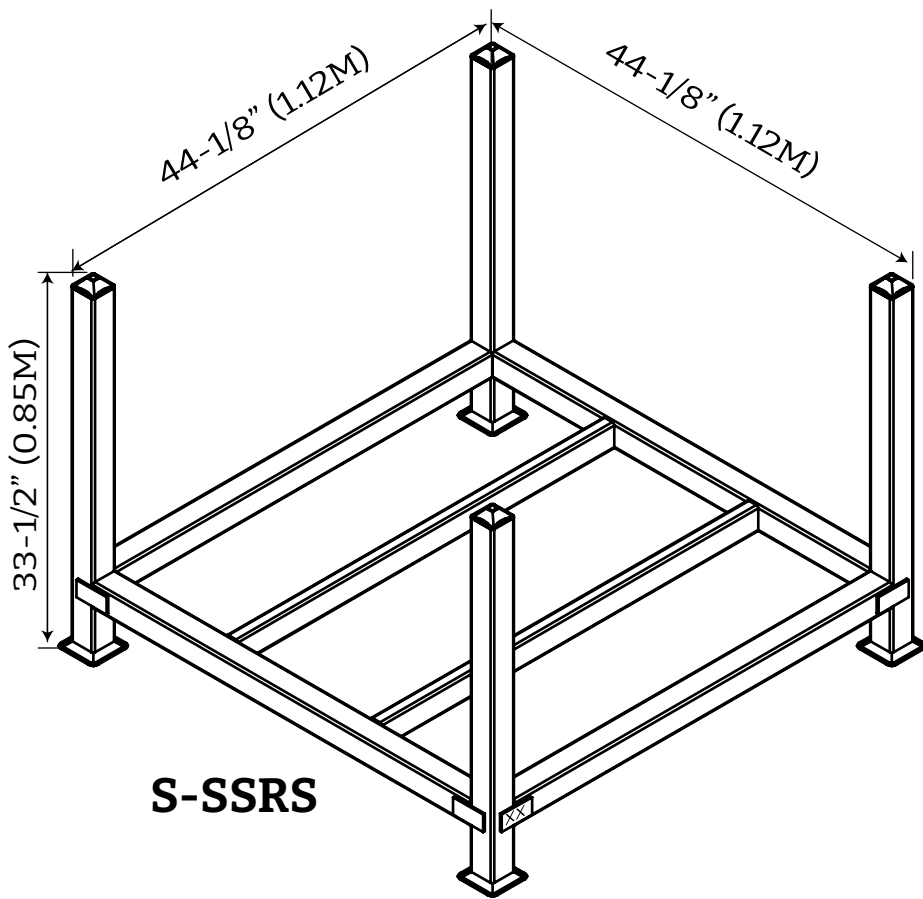
STEPUP - RINGLOCK



Item Number	Description	H		Weight	
		In.	mm	Lbs	Kg
S-LD3-17W	17" Wide Ladder - 3'	36	914	10.2	4.6
S-LD6-17W	17" Wide Ladder - 6'	72	1,829	19.3	8.7
S-LBRKT-17W	17" Wide Ladder Bracket - 7 1/4" Deep	-	-	7.1	3.2

STORAGE RACKS & BASKETS

STEPUP - CUPLOCK



Overall dimensions apply to all storage racks and bins.

Item Number	Description	Weight	
		Lbs	Kg
S-SSRS	System Scaffold Rack	102.8	46.6
S-SSB	System Scaffold Basket	173.5	78.7
S-SSB-CB	Convertible System Scaffold Basket with Hooked Side Panels	235.2	106.7
S-SSRS-MB	Mesh base for S-SSRS	37.1	16.8

Atlanta: 770.577.4222
Houston: 713.678.8877

Los Angeles: 562.907.7837
New York: 718.456.3218

Updated: February 2024

www.stepupscaffold.com

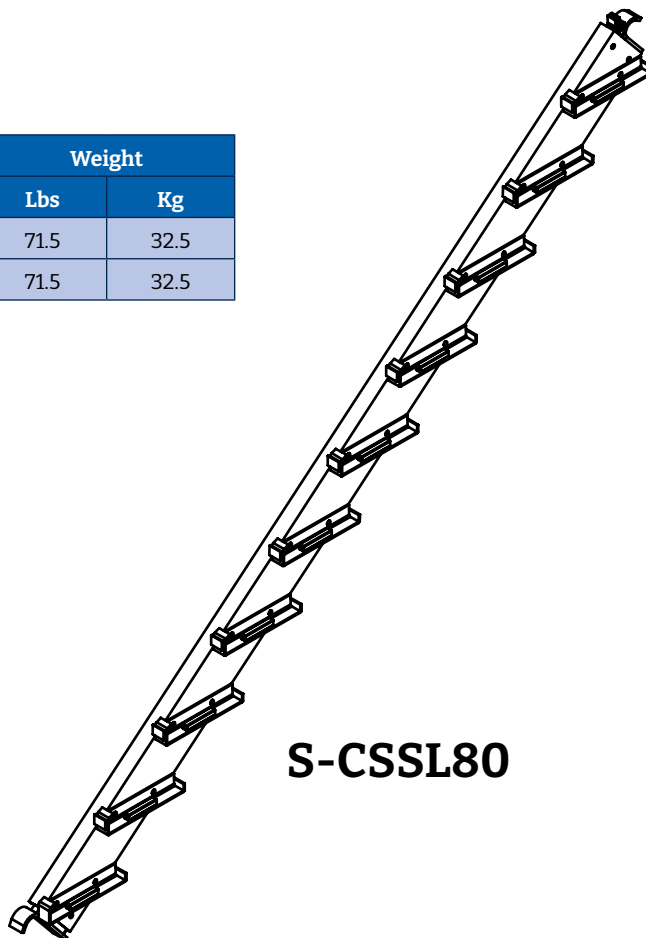


STEPUP

STAIR STRINGERS & TREADS

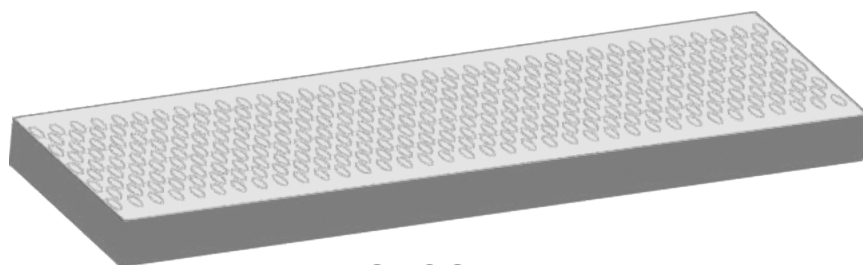
STAIR STRINGERS

Item Number	Description	Weight	
		Lbs	Kg
S-CSSL80	Aluminum Left Stair Stringer - 8'	71.5	32.5
S-CSSR80	Aluminum Right Stair Stringer - 8'	71.5	32.5



S-CSSL80

STAIR TREADS



S-CSTx

Item Number	Description	H		Weight	
		In.	mm	Lbs	Kg
S-CST36	Aluminum Stair Tread - 3'6"	33	838	14.6	6.6
S-CST40	Aluminum Stair Tread - 4'	39 3/8	1,001	17.2	7.8
S-CSTM600*	Aluminum Stair Tread - 0.6M	23 5/8	600	10.85	4.9

* Special order item. Contact your STEPUP Agent.

Atlanta: 770.577.4222
Houston: 713.678.8877

Updated: February 2024

www.stepupscaffold.com

Los Angeles: 562.907.7837
New York: 718.456.3218

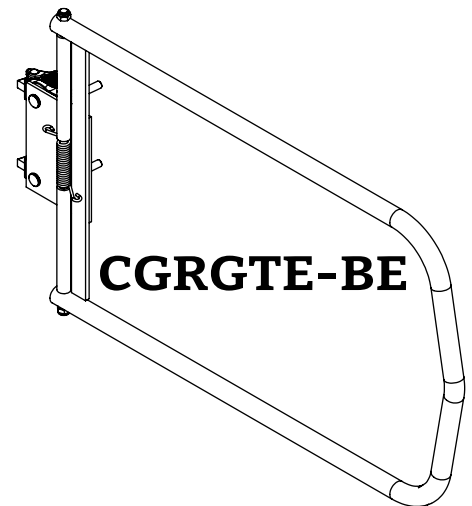
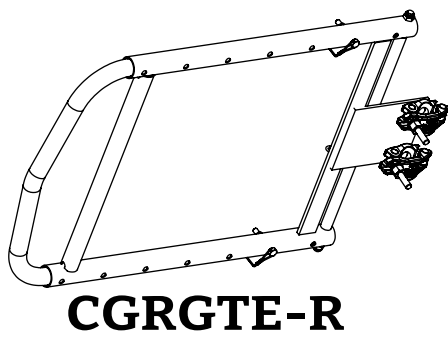
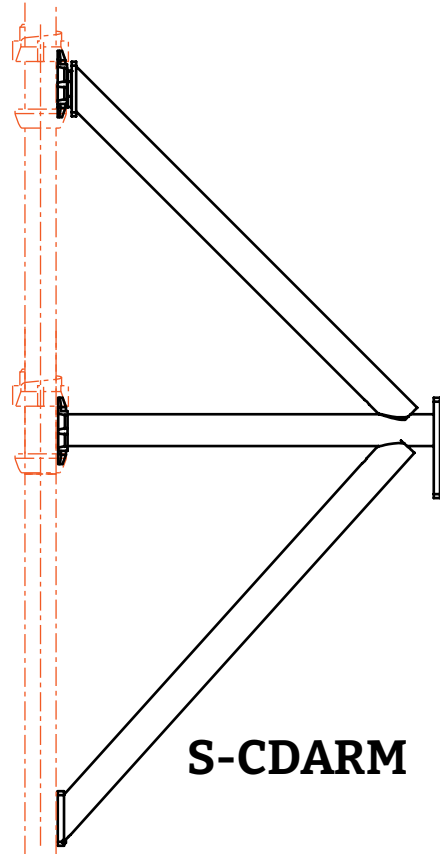
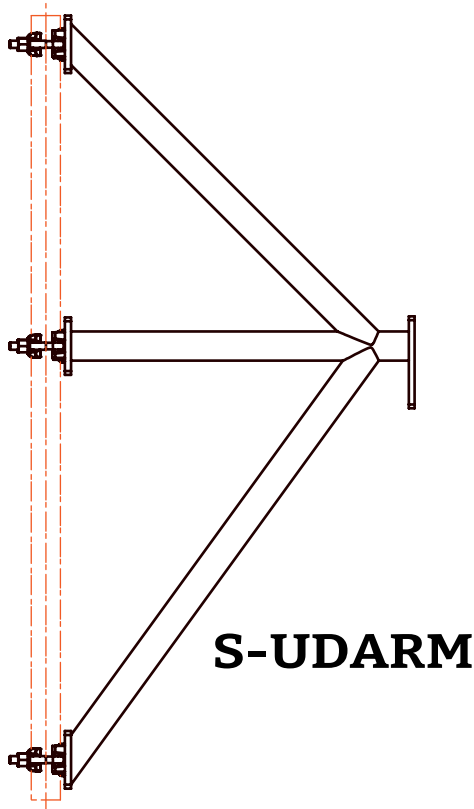


STEPUP

STEPUP - CUPLLOCK

OTHER ACCESSORIES

STEPUP - CUPLOCK



Item Number	Description	Weight	
		Lb.	Kg
S-CDARM	Cuplock Davit Arm	24.0	10.9
S-UDARM	Universal Davit Arm	24.7	11.2
CGRGTE-BE	Fixed Scaffold Swing Gate	18.0	8.2
CGRGTE-R	Adjustable Scaffold Swing Gate	29.1	13.2

Atlanta: 770.577.4222
Houston: 713.678.8877

Los Angeles: 562.907.7837
New York: 718.456.3218

Updated: February 2024

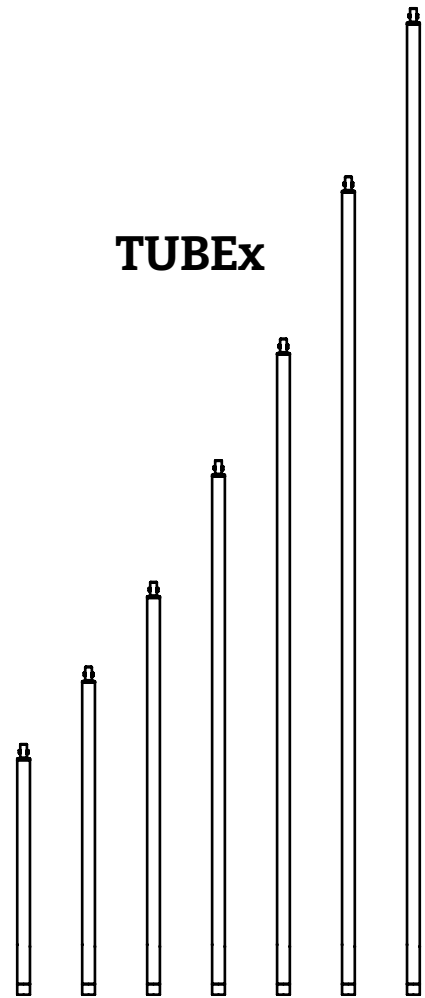
www.stepupscaffold.com



TUBE & CLAMP

TUBES

STEPUP - RINGLOCK



Item Number	Description	Weight	
		Lbs	Kg
TUBE2*	Tube with End Fitting - 2'	6.0	2.7
TUBE4	Tube with End Fitting - 4'	9.7	4.4
TUBE6	Tube with End Fitting - 6'	13.2	6.0
TUBE8	Tube with End Fitting - 8'	17.0	7.7
TUBE10	Tube with End Fitting - 10'	20.5	9.3
TUBE13	Tube with End Fitting - 13'	26.0	11.8
TUBE16	Tube with End Fitting - 16'	31.3	14.2
TUBE20*	Tube with End Fitting - 20'	38.9	17.6
TUBE24*	Tube with End Fitting - 24'	46.2	21.0

Item Number	Description	Weight	
		Lbs	Kg
TUBEM0250*	Tube with End Fitting - 0.25M (10")	3.9	1.8
TUBEM0500*	Tube with End Fitting - 0.50M (1' 8")	5.4	2.4
TUBEM1000*	Tube with End Fitting - 1.00M (3' 3")	8.4	3.8
TUBEM1500*	Tube with End Fitting - 1.50M (4' 11")	11.4	5.2
TUBEM2000*	Tube with End Fitting - 2.00M (6' 7")	14.4	6.5
TUBEM2500*	Tube with End Fitting - 2.50M (8' 2")	17.4	7.9
TUBEM3000*	Tube with End Fitting - 3.00M (9' 10")	20.3	9.2
TUBEM4000*	Tube with End Fitting - 4.00M (13' 1")	26.3	11.9

* Special order item. Contact your STEPUP Agent.

Continued on next page

Atlanta: 770.577.4222
Houston: 713.678.8877

Updated: February 2024

www.stepupscaffold.com

Los Angeles: 562.907.7837
New York: 718.456.3218

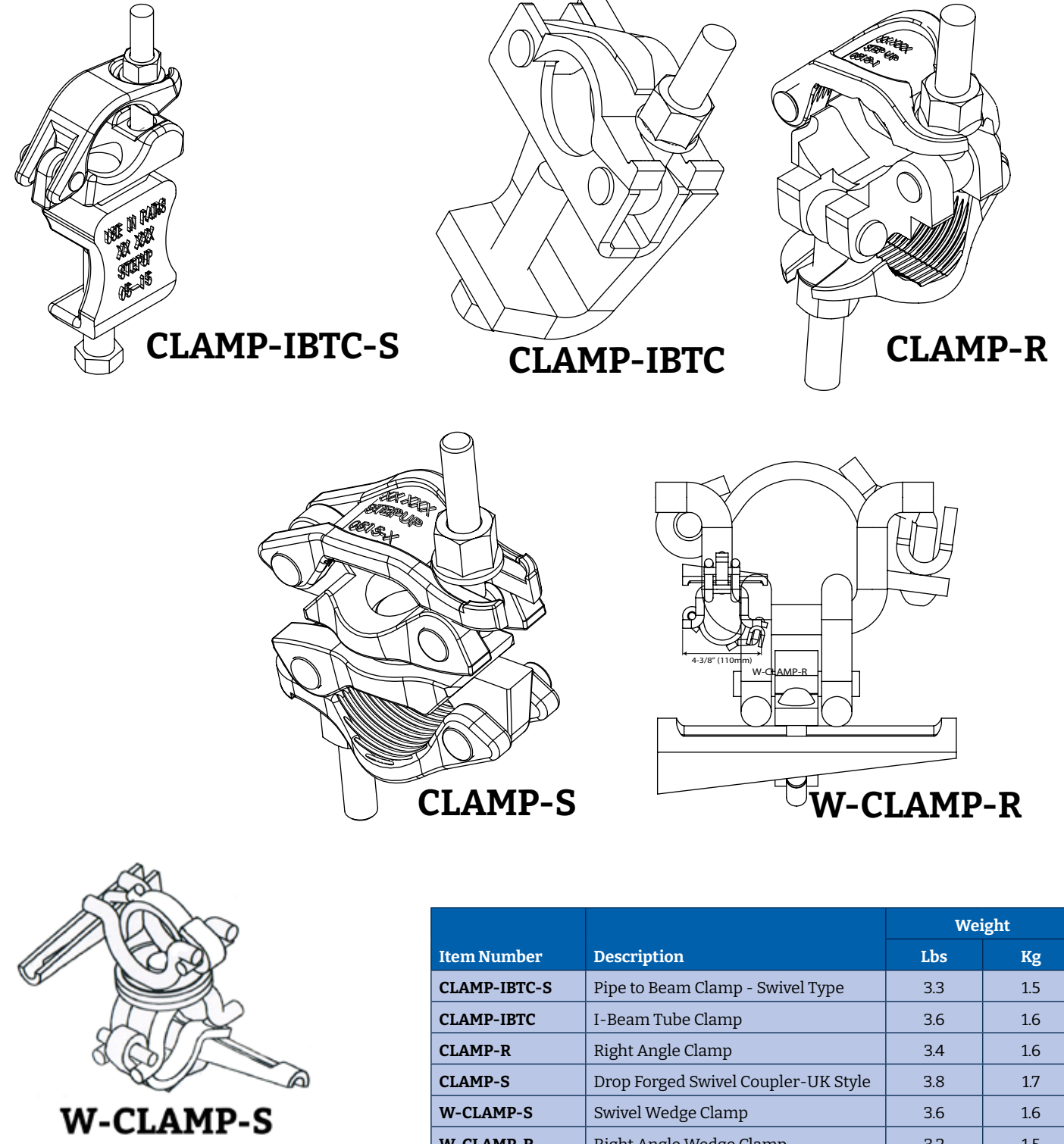


Continued from previous page

TUBE & CLAMP (CONTINUED)

CLAMPS

STEPUP - RINGLOCK



Item Number	Description	Weight	
		Lbs	Kg
CLAMP-IBTC-S	Pipe to Beam Clamp - Swivel Type	3.3	1.5
CLAMP-IBTC	I-Beam Tube Clamp	3.6	1.6
CLAMP-R	Right Angle Clamp	3.4	1.6
CLAMP-S	Drop Forged Swivel Coupler-UK Style	3.8	1.7
W-CLAMP-S	Swivel Wedge Clamp	3.6	1.6
W-CLAMP-R	Right Angle Wedge Clamp	3.2	1.5

Atlanta: 770.577.4222
Houston: 713.678.8877

Updated: February 2024

www.stepupscaffold.com

Los Angeles: 562.907.7837
New York: 718.456.3218





Glasgow, Scotland
Copenhagen, Denmark

Atlanta, Houston,
Los Angeles, New York,
and Memphis, USA

Barranquilla, Colombia

LET STEPUP HELP YOU GROW YOUR BUSINESS

STEPUP Scaffold, a division of Sunshine Enterprises, started in 1998 and quickly became one of the largest importers, and manufacturers of scaffolding and access equipment in the North American market. Throughout the years, STEPUP Scaffold has continued to diversify our product lines and

capabilities to meet the needs of our customers and the industries we serve. We have focused our business structure to best serve scaffolding companies and contractors, helping them to grow their businesses.



STEPUP