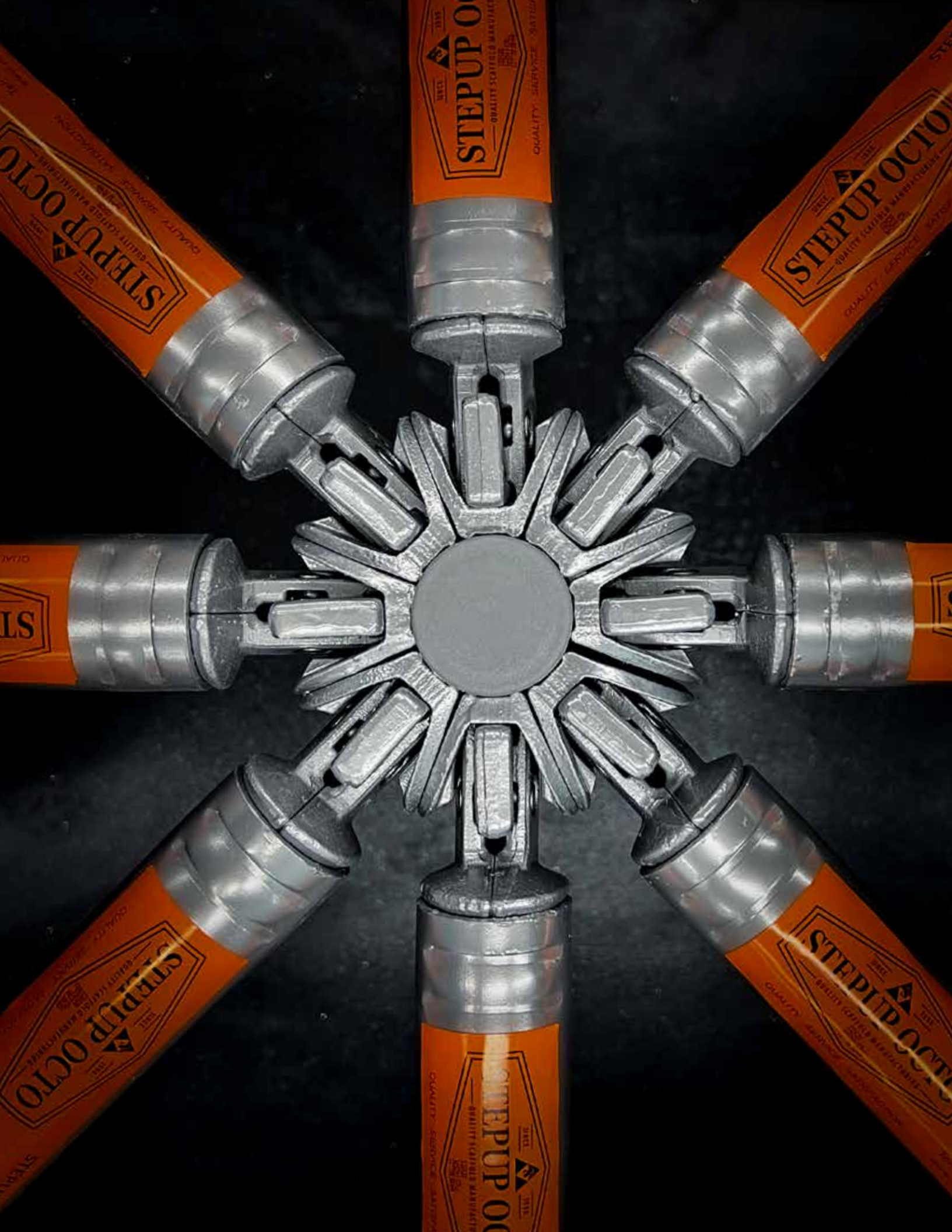


STEPUP OCTO[®]
SYSTEM
PRODUCT CATALOG



STEPUP



OCTO[®] SCAFFOLD

INTRODUCTION	4
ADJUSTABLE BASE JACK	5
STANDARD PIN & BASE JACK LOCK	6
SPIGOT ADAPTER & GUARDRAIL POST	7
STANDARDS/VERTICALS	8
STANDARDS · FLUSH TOP	9
FRAMES	10
BRACING GUARDRAILS	11
OFFSHORE BRACING GUARDRAILS	12
HORIZONTALS	13
HORIZONTAL BEAMS	14
CANTILEVER BRACKETS	15
DIAGONAL PLAN BRACING	16
DIAGONAL FACE BRACING	18
TOEBOARDS	19
ALUMINUM STAIRS & HANDRAILS	20
DECKS · ALUMINUM/PLYWOOD	23
LOOSE LADDER FOR DECKS WITH HATCH	26
DECK · ALUMINUM	27
Deck · Aluminum	28
DECK · ALUMINUM/STEEL MESH	29
INTERMEDIATE HORIZONTAL	30
DECK · STEEL	31
DECK · COMPOSITE	32
LOAD SHARING DEVICES	33
TRANSPORT PALLET	34
GUARDAID [®] ASSEMBLY TOOL	35

INTRODUCTION

Our ongoing commitment to provide the industry with safer and more efficient access product solutions is backed by a highly experienced research, product design and development team.

Greater Versatility

Greater versatility is achieved through design of key scaffold components ensuring a versatility that provides almost limitless possibilities in scaffold structure size and shape.

Improved Safety

Safety features are designed and manufactured into key STEPUP OCTO® scaffold components; everything from how the component is handled and fitted, to the system of work that prevents falls from height.

Increased Productivity

For the same scaffold area, STEPUP OCTO® uses fewer components and is less than half the weight of traditional Tube & Fittings and traditional system scaffolding. This means a reduction in erection and dismantling labour time, increased speed, and greater productivity.

Notices

The STEPUP OCTO® Product Catalog is subject to periodic revision and updating without further notice. Before designing scaffolds with STEPUP OCTO® system components, contact your STEPUP representative to make sure you have the latest information.

Always refer to appropriate scaffold assembly guide before using any component and always adhere to local, national standards and regulations. This document is intended for use by experienced scaffold engineers. Use by unqualified persons may result in death, serious personal injury or property damage.

All drawings in this document are for illustrative purposes only and are intended for general information purposes.

The STEPUP OCTO® System is designed and manufactured by STEPUP Scaffold. Steel STEPUP OCTO® joints and components have been tested at Oxford Brookes University, in compliance with BS-EN12811-1 to 3, to determine their elastic and elasto-plastic properties. The result

from these tests were incorporated in a series of analyses of the main structural components and assemblies to ensure compliance with the requirements of BS EN12811-1, BS EN12811-2, BS EN12810-1 and BS EN12810-2 to obtain working capacity ratings for the main structural components and assemblies.

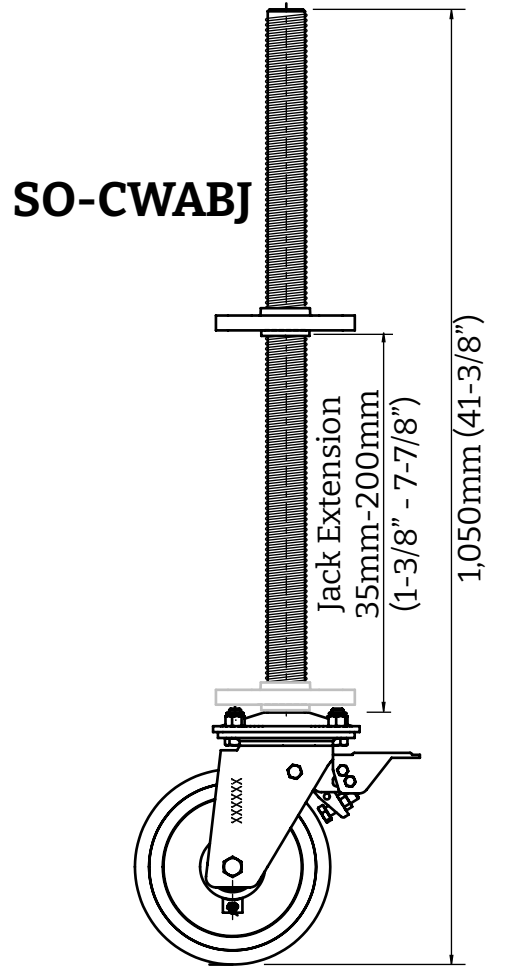
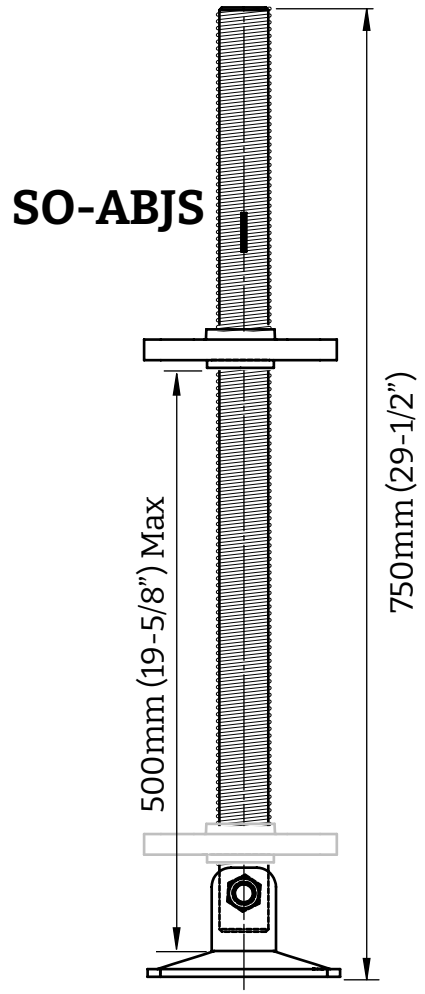
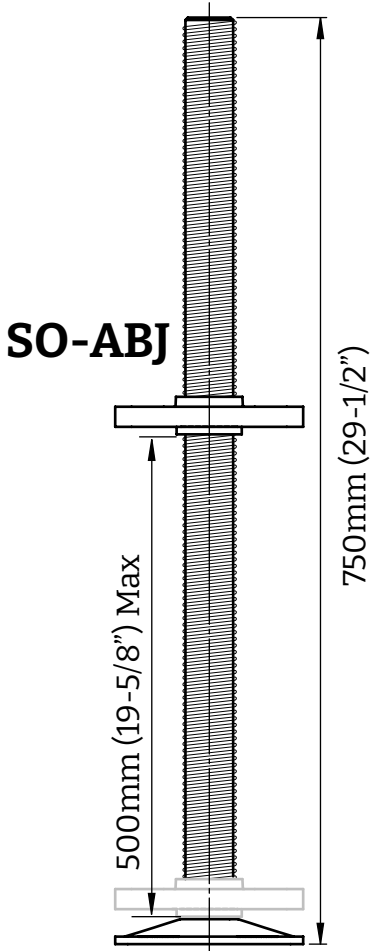
No part of this STEPUP OCTO® Product Catalogue may be re-produced, stored in a retrieval system, or transmitted in any form or by any means (electrical, mechanical, photocopying, recording or otherwise) without the prior permission of STEPUP Scaffold.

This catalogue shows availability of component sizes and combination sizes. The STEPUP warehouses around the globe maintain an inventory of the most commonly used items for the region they are located. Some infrequently used components may require an advance notice before order can be fulfilled.

ADJUSTABLE BASE JACK

Swivelled Base & Castor Wheel

STEPUP - OCTO[®]

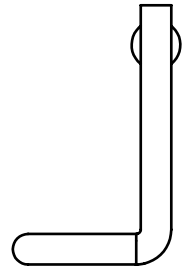
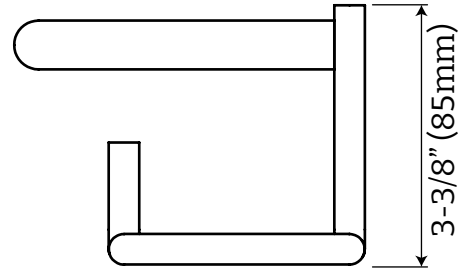
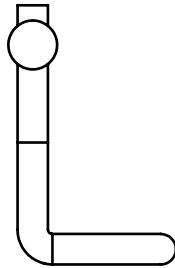
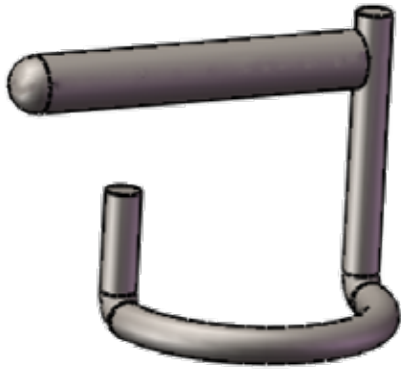


Item Number	Description	Weight	
		Lb.	Kg
SO-ABJ	Adjustable Base Jack	10.6	4.8
SO-ABJS	Adjustable Base Jack Swivelled Base Plate	11.5	5.2
SL-CWABJ	Castor Wheel with Adjustable Base Jack	26.2	11.9

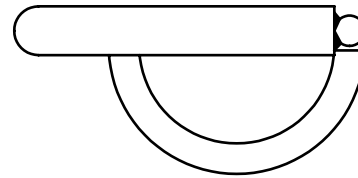
Atlanta: 770.577.4222
Houston: 713.678.8877

Los Angeles: 562.907.7837
New York: 718.456.3218

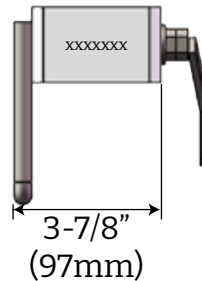
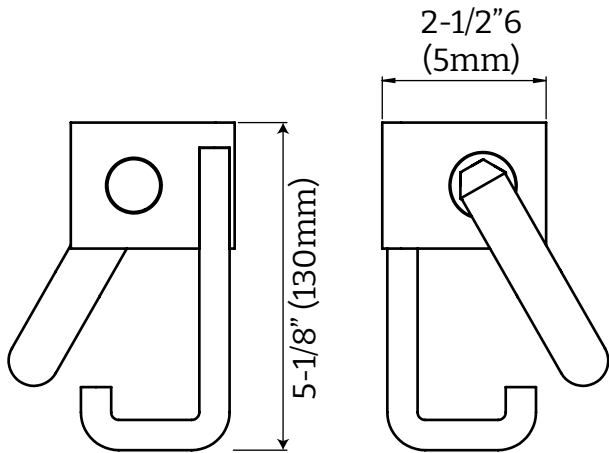
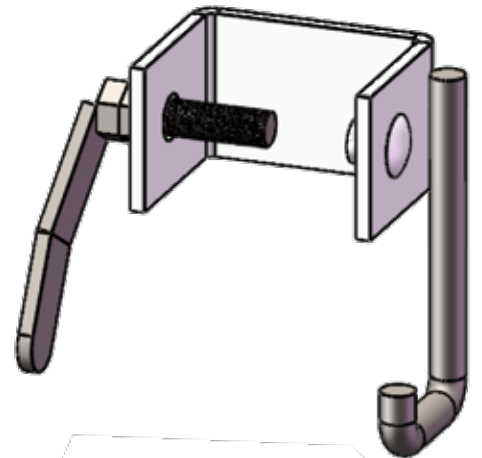
STANDARD PIN & BASE JACK LOCK



SO-SP



Item Number	Description	Weight	
		Lb.	Kg
SO-SP	Standard Pin	0.7	0.3
SO-BJL	Base Jack Lock	1.5	0.7



SO-BJL

Typically used with SO-CWABJ

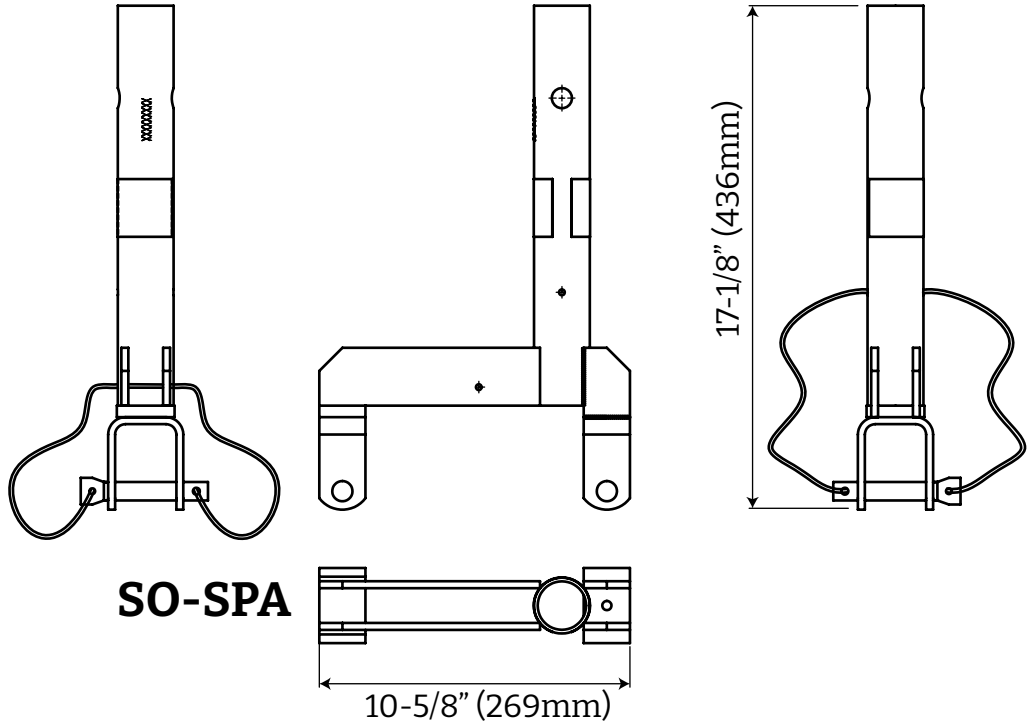
Atlanta: 770.577.4222
Houston: 713.678.8877

Los Angeles: 562.907.7837
New York: 718.456.3218

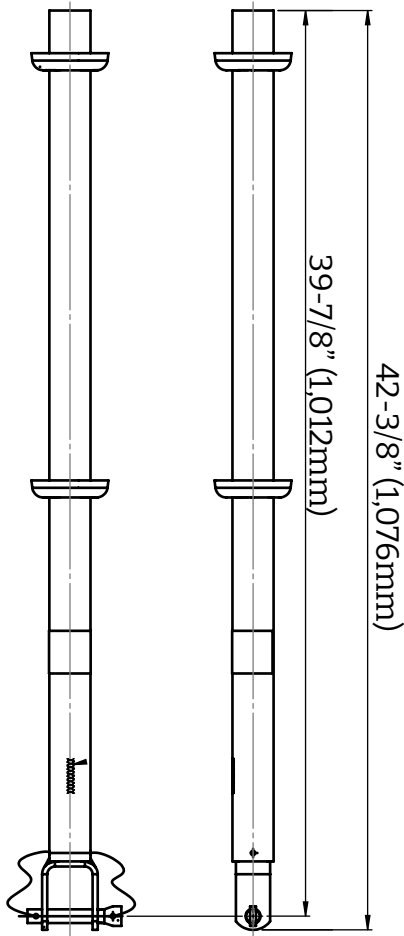
SPIGOT ADAPTER & GUARDRAIL POST

Attaches to Horizontal

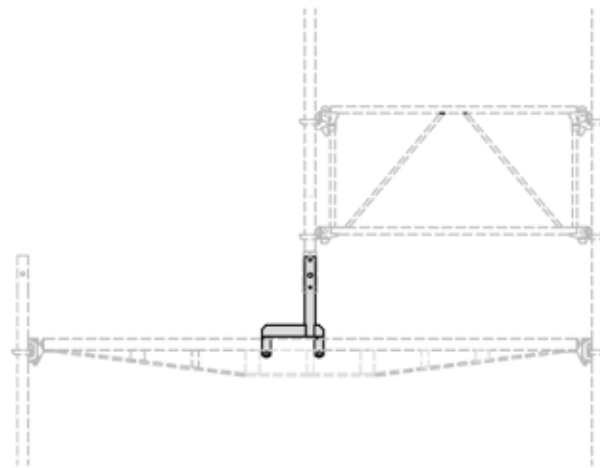
STEPUP - OCTO®



SO-SPA



SO-GPH100

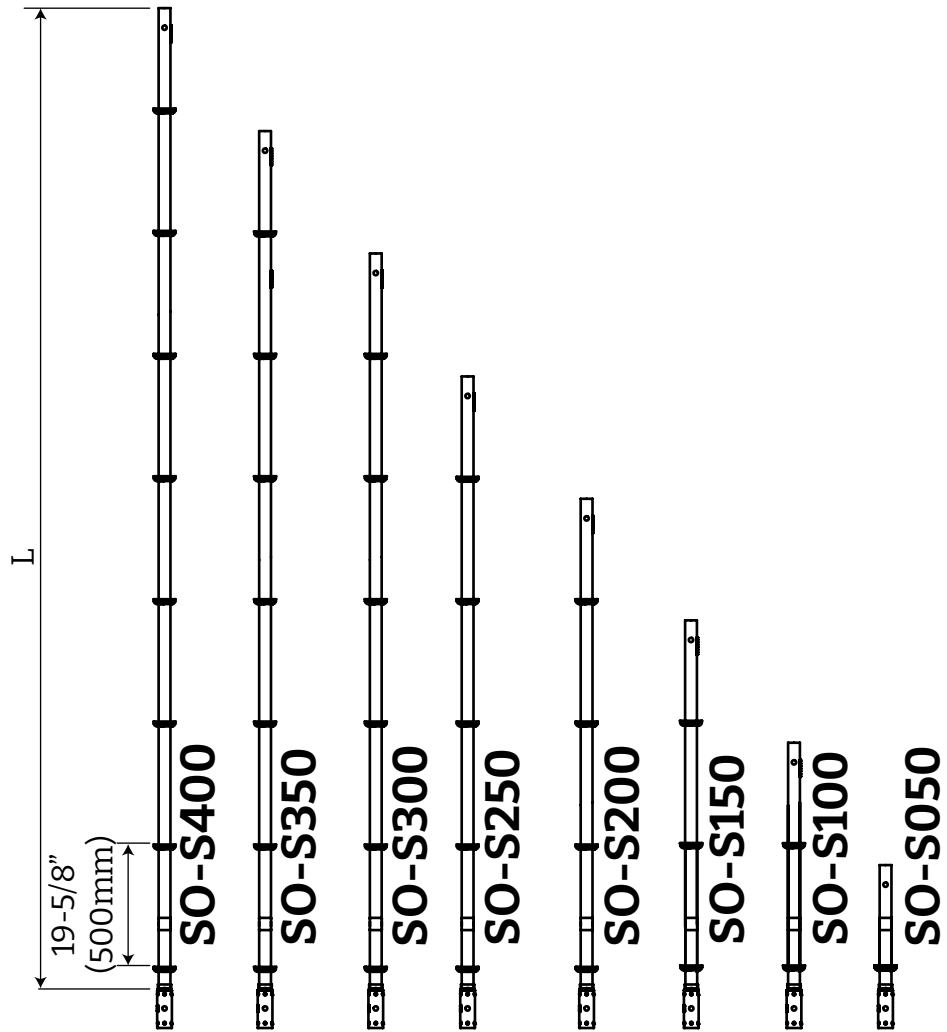


Item Number	Description	Weight	
		Lb.	Kg
SO-SPA	Spigot Adapter	7.9	3.6
SO-GPH100	Guardrail Post	10.1	4.6

Atlanta: 770.577.4222
Houston: 713.678.8877

Los Angeles: 562.907.7837
New York: 718.456.3218

STANDARDS/VERTICALS



Item Number	L		Weight	
	In	M	Kg	Lbs
SO-S050	19 5/8	0.50	2.7	6.0
SO-S100	39 3/8	1.00	4.8	10.6
SO-S200	78 3/4	2.00	9.0	19.8
SO-S300	118 1/8	3.00	13.0	28.7
SO-S400	157 1/2	4.00	17.2	37.9

Atlanta: 770.577.4222
Houston: 713.678.8877

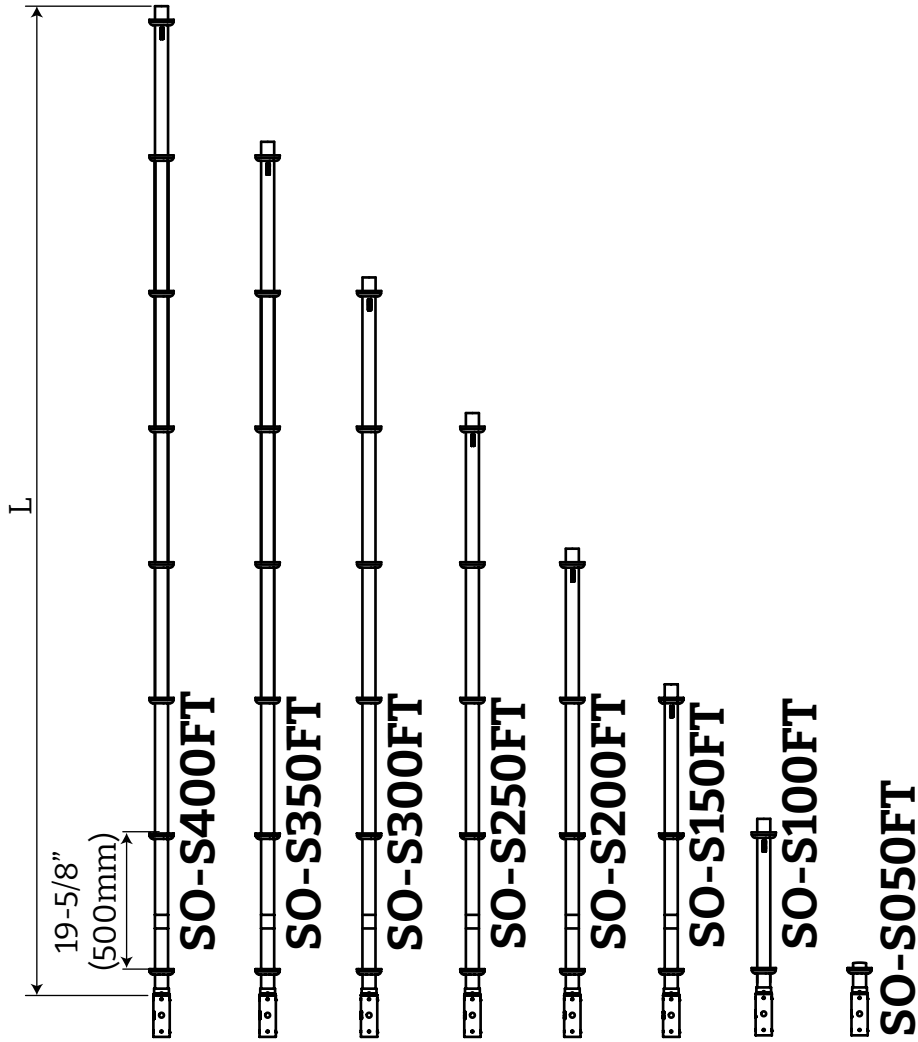
Los Angeles: 562.907.7837
New York: 718.456.3218



STEPUP

STANDARDS · FLUSH TOP

STEPUP - OCTO[®]

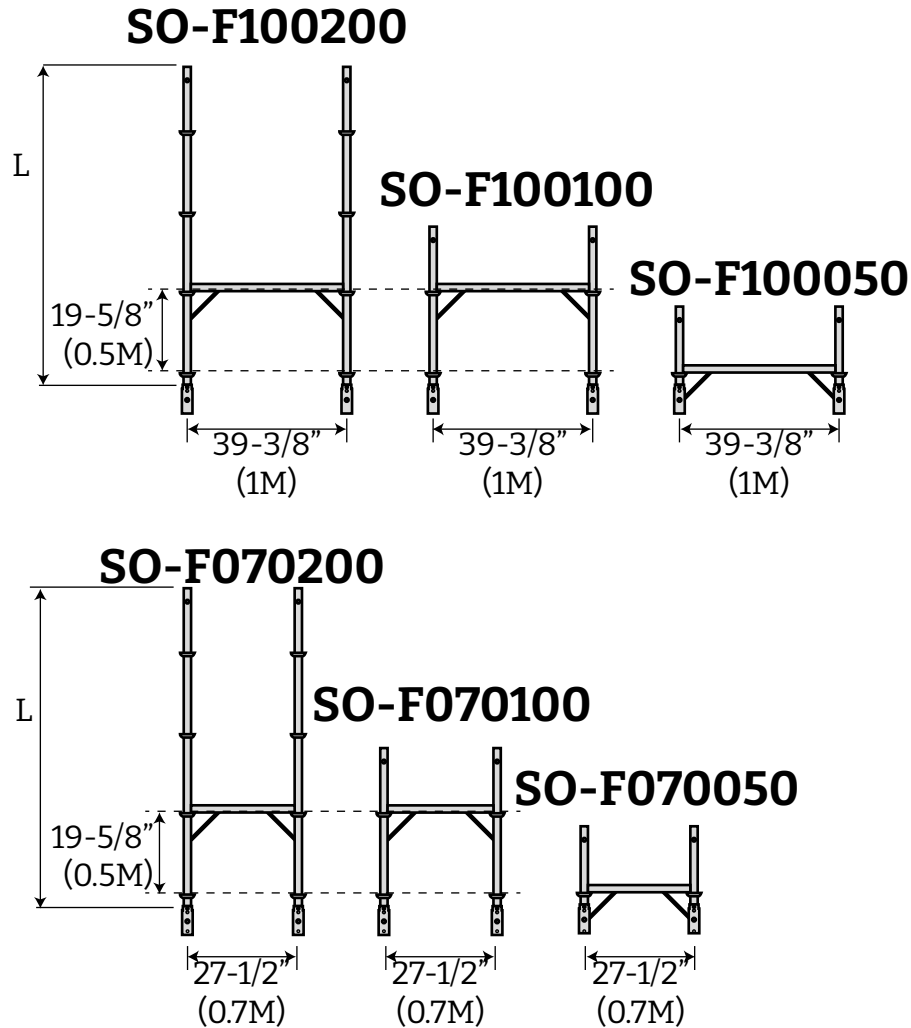


Item Number	L		Weight	
	In	mm	Lbs	Kg
SO-S050FT	5 1/2	140	3.5	1.6
SO-S100FT	25 1/4	640	7.7	3.5
SO-S150FT	44 7/8	1,140	12.3	5.6
SO-S200FT	64 5/8	1,640	16.8	7.6
SO-S250FT	84 1/4	2,140	21.4	9.7
SO-S300FT	103 7/8	2,640	25.8	11.7
SO-S350FT	123 5/8	3,140	29.8	13.5
SO-S400FT	143 1/4	3,640	33.7	15.3

Atlanta: 770.577.4222
Houston: 713.678.8877

Los Angeles: 562.907.7837
New York: 718.456.3218

FRAMES



Item Number	L		Weight	
	In	M	Lbs	Kg
SO-F070050	19 5/8	0.5	17.0	7.7
SO-F070100	39 3/8	1.0	25.1	11.4
SO-F070200	78 3/4	2.0	43.2	19.6
SO-F100050	19 5/8	0.5	17.9	8.1
SO-F100100	39 3/8	1.0	27.1	12.3
SO-F100200	78 3/4	2.0	44.8	20.3

Atlanta: 770.577.4222
Houston: 713.678.8877

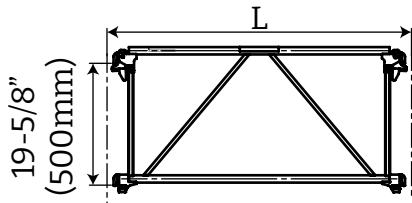
Los Angeles: 562.907.7837
New York: 718.456.3218



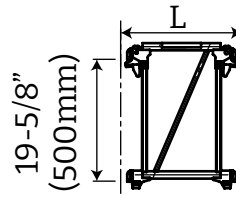
STEPUP

BRACING GUARDRAILS

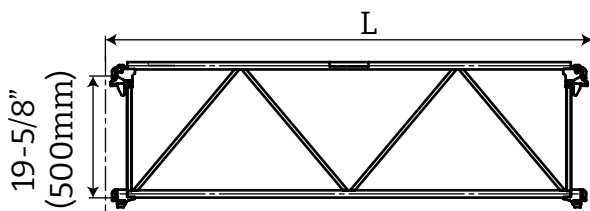
STEPUP - OCTO®



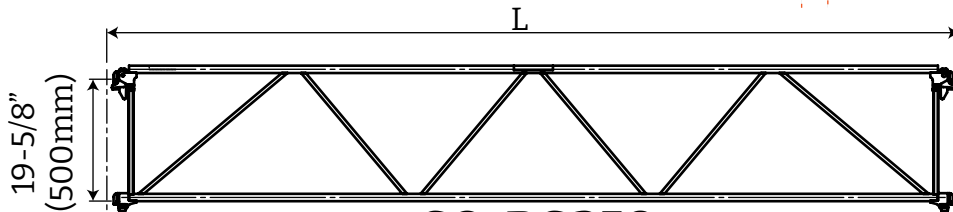
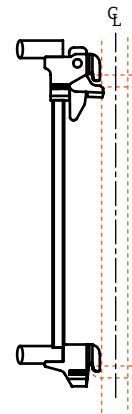
SO-BG150
SO-BG175



SO-BG050
SO-BG100



SO-BG200 - SO-BG300



SO-BG350

Item Number	L		Weight	
	In	mm	Lbs	Kg
SO-BG050	19 5/8	0.50	8.4	3.8
SO-BG070	27 1/2	0.70	9.7	4.4
SO-BG100	39 3/8	1.00	11.2	5.1
SO-BG125	49 1/4	1.25	13.4	6.1
SO-BG150	59 7/8	1.50	16.1	7.3
SO-BG175	68 7/8	1.75	16.5	7.5
SO-BG200	78 3/4	2.00	19.6	8.9
SO-BG250	98 3/8	2.50	22.7	10.3
SO-BG300	118 1/8	3.00	24.0	10.9
SO-BG350	137 3/4	3.50	28.9	13.1

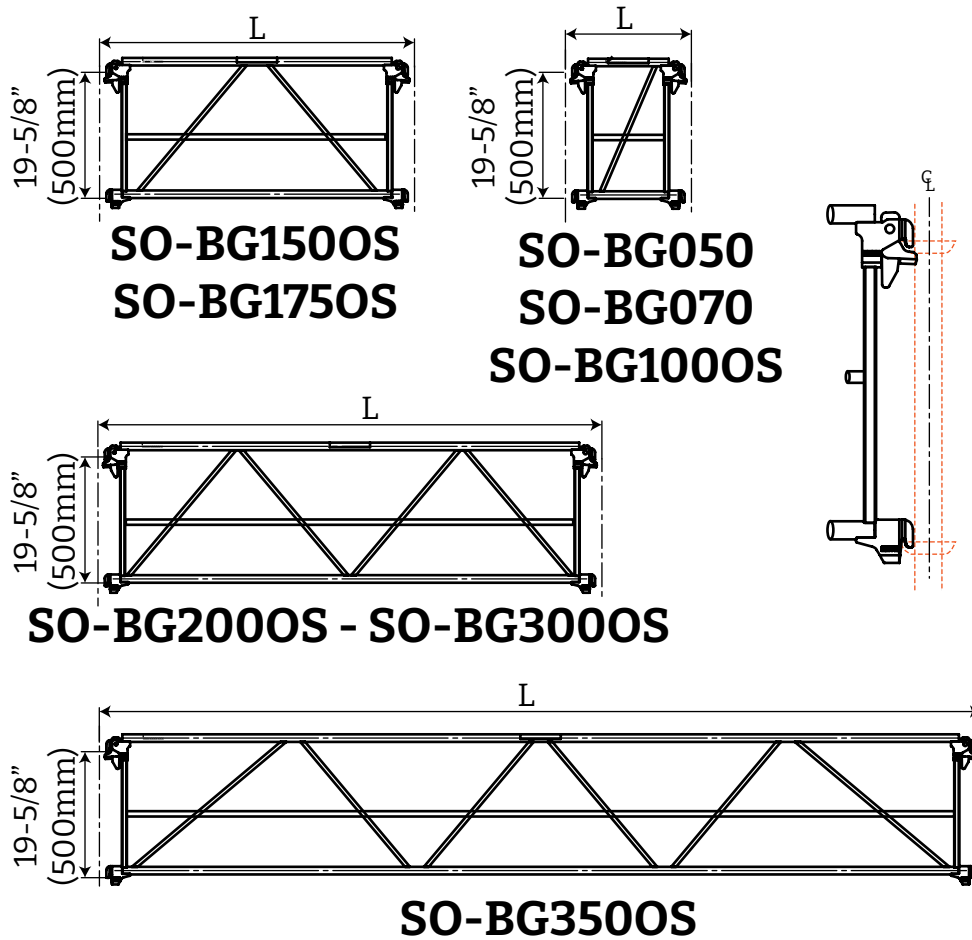
Atlanta: 770.577.4222
Houston: 713.678.8877

Los Angeles: 562.907.7837
New York: 718.456.3218



STEPUP

OFFSHORE BRACING GUARDRAILS

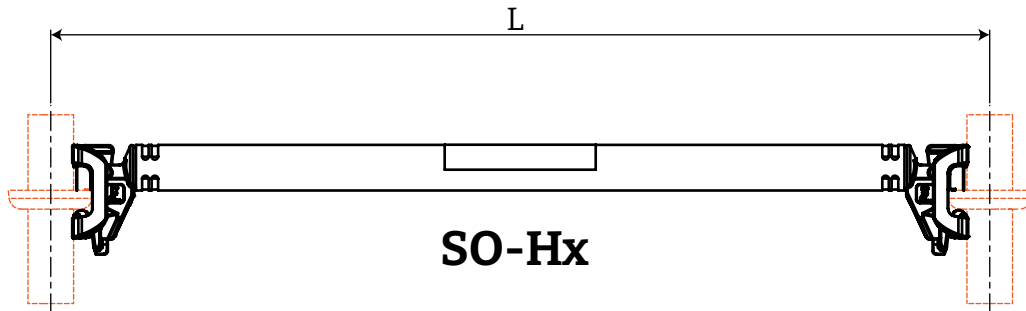


Item Number	L		Weight	
	In	M	Lbs	Kg
SO-BG0500S	19 5/8	0.50	8.8	4.0
SO-BG0700S	27 1/2	0.70	10.1	4.6
SO-BG1000S	39 3/8	1.00	12.1	5.5
SO-BG1250S	49 1/4	1.25	14.3	6.5
SO-BG1500S	59 7/8	1.50	16.8	7.6
SO-BG1750S	68 7/8	1.75	17.9	8.1
SO-BG2000S	78 3/4	2.00	21.2	9.6
SO-BG2500S	98 3/8	2.50	24.9	11.3
SO-BG3000S	118 1/8	3.00	28.0	12.7
SO-BG3500S	137 3/4	3.50	33.3	15.1

Atlanta: 770.577.4222
Houston: 713.678.8877

Los Angeles: 562.907.7837
New York: 718.456.3218

HORIZONTALS



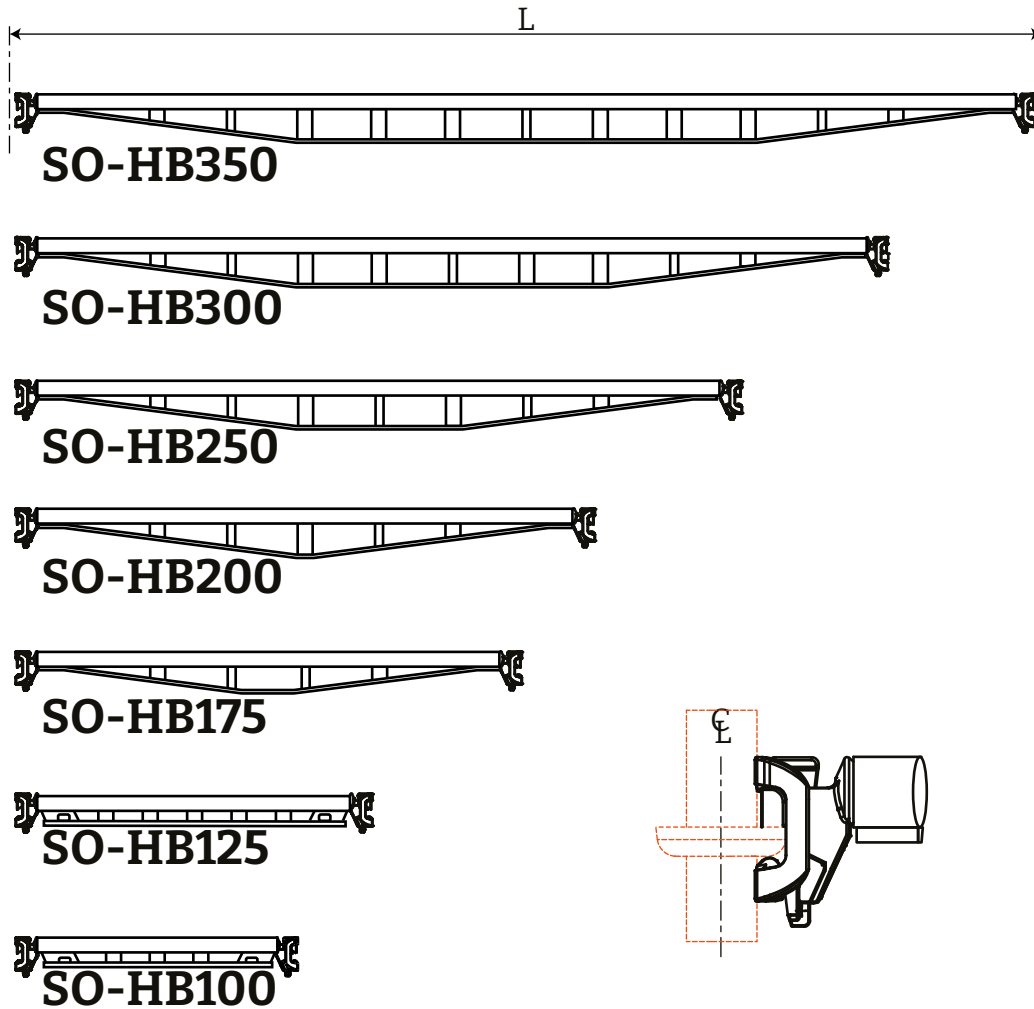
STEPUP - OCTO®

Item Number	L		Weight	
	In	mm	Lbs	Kg
SO-H025	9 7/8	0.25	4.9	2.2
SO-H030	11 3/4	0.30	5.3	2.4
SO-H035	13 3/4	0.35	5.7	2.6
SO-H045	17 3/4	0.45	6.2	2.8
SO-H050	19 5/8	0.50	6.6	3.0
SO-H055	21 5/8	0.55	6.8	3.1
SO-H060	23 5/8	0.60	7.1	3.2
SO-H065	25 5/8	0.65	7.5	3.4
SO-H070	27 1/2	0.70	8.2	3.7
SO-H075	29 1/2	0.75	8.6	3.9
SO-H100	39 3/8	1.00	10.4	4.7
SO-H110	43 1/4	1.10	11.0	5.0
SO-H125	49 1/4	1.25	12.6	5.7
SO-H150	59 8/8	1.50	13.9	6.3
SO-H170	66 7/8	1.70	15.2	6.9
SO-H175	68 7/8	1.75	16.1	7.3
SO-H200	78 6/8	2.00	17.2	7.8
SO-H225	88 5/8	2.25	19.2	8.7
SO-H250	98 3/8	2.50	20.7	9.4
SO-H300	118 1/8	3.00	24.5	11.1
SO-H350	137 3/4	3.50	28.0	12.7
SO-H400	157 1/2	4.00	32.2	14.6
SO-H500	196 7/8	5.00	39.0	17.7

Atlanta: 770.577.4222
Houston: 713.678.8877

Los Angeles: 562.907.7837
New York: 718.456.3218

HORIZONTAL BEAMS



Item Number	L		Weight	
	In	M	Lbs	Kg
SO-HB100	39 3/8	1.00	14.6	6.6
SO-HB125	49 1/4	1.25	17.6	8.0
SO-HB175	68 7/8	1.75	23.8	10.8
SO-HB200	78 3/4	2.00	26.5	12.0
SO-HB250	98 3/8	2.50	31.5	14.3
SO-HB300	118 1/8	3.00	40.3	18.3
SO-HB350	137 3/4	3.50	47.0	21.3

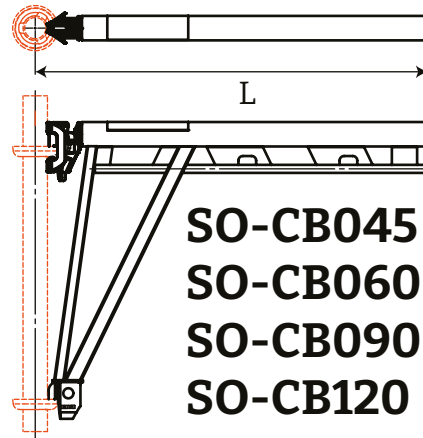
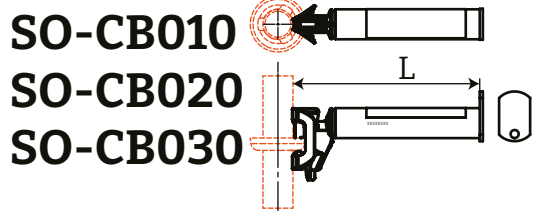
Atlanta: 770.577.4222
Houston: 713.678.8877

Los Angeles: 562.907.7837
New York: 718.456.3218

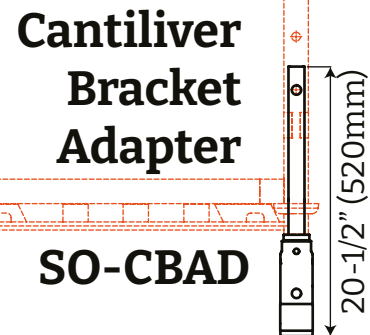
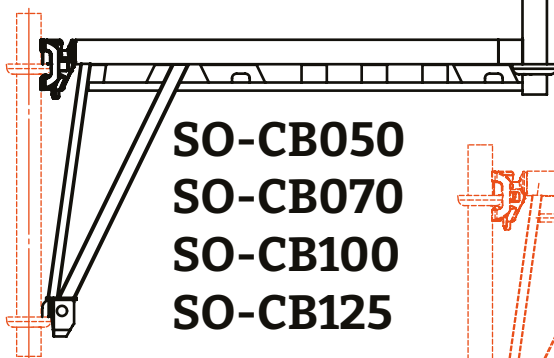
CANTILEVER BRACKETS

STEPUP - OCTO®

Cantilever Bracket with End Plate



Cantilever Bracket with Cup



Item Number	L		Weight	
	In	M	Lbs	Kg
SO-CB010	3 7/8	0.10	2.9	1.3
SO-CB020	7 7/8	0.20	3.7	1.7
SO-CB030	11 6/8	0.30	4.4	2.0
SO-CB045	17 3/4	0.45	12.1	5.5
SO-CB060	23 5/8	0.60	14.3	6.5
SO-CB090	35 3/8	0.90	17.0	7.7
SO-CB120	47 1/4	1.20	20.3	9.2

Item Number	L		Weight	
	In	M	Lbs	Kg
SO-CB050	19 5/8	0.50	15.2	6.9
SO-CB070	27 1/2	0.70	17.9	8.1
SO-CB100	39 3/8	1.00	20.9	9.5
SO-CB125	49 1/4	1.25	24.0	10.9

Item Number	Weight	
	Lbs	Kg
SO-CBAD	4.2	1.9

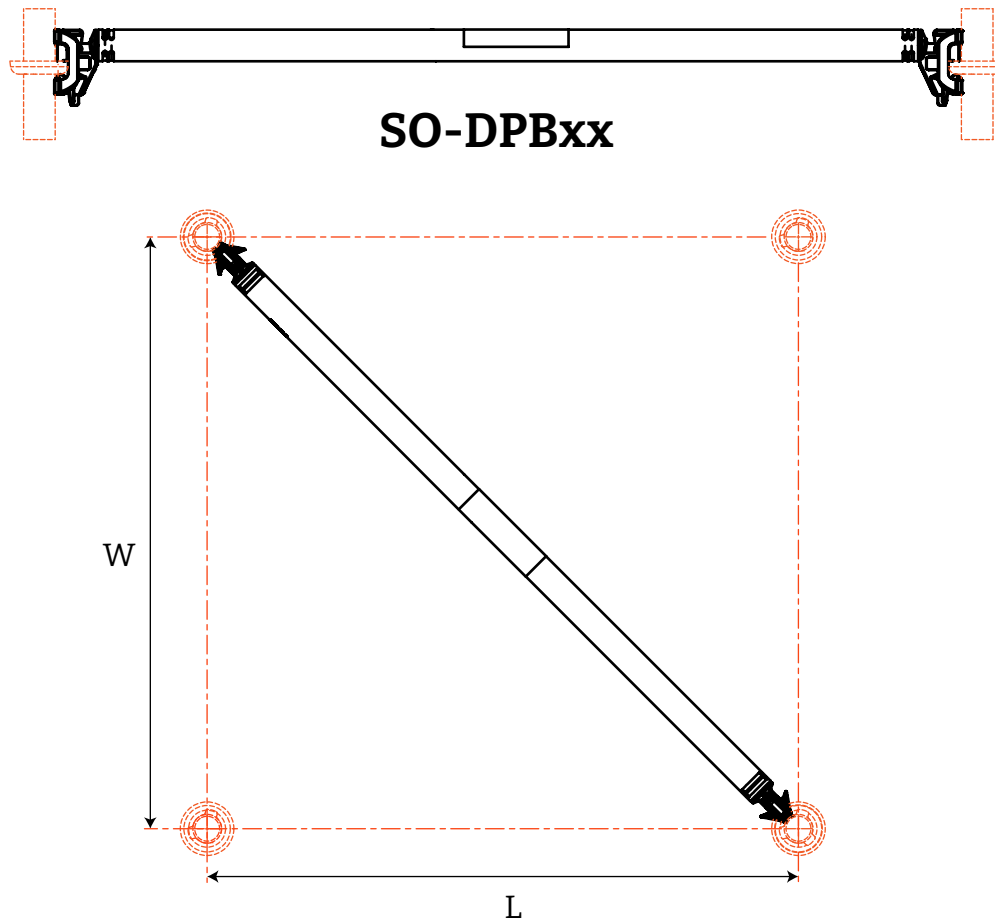
Note:

Use an M16 high tensile nut & bolt NOT a standard pin to attach Cantilever Bracket hanging device & Standards which are also hanging. Loading conditions are restricted to the allowable end point load of the Cantilever bracket which the Hanging Device is being used with. (Please see Cantilever Bracket point load data)

Atlanta: 770.577.4222
Houston: 713.678.8877

Los Angeles: 562.907.7837
New York: 718.456.3218

DIAGONAL PLAN BRACING



Item Number	L		W		Weight	
	In	M	In	M	Lbs	Kg
SO-DPB050050	19 5/8	0.50	19 5/8	0.50	8.4	3.8
SO-DPB070070	27 1/2	0.70	27 1/2	0.70	10.4	4.7
SO-DPB100070	39 3/8	1.00	27 1/2	0.70	11.8	5.3
SO-DPB100100	39 3/8	1.00	39 3/8	1.00	13.7	6.2
SO-DPB125070	49 1/4	1.25	27 1/2	0.70	13.3	6.0
SO-DPB125100	49 1/4	1.25	39 3/8	1.00	14.5	6.6
SO-DPB125125	49 1/4	1.25	49 1/4	1.25	15.9	7.2
SO-DPB150070	59 /8	1.50	27 1/2	0.70	14.9	6.7
SO-DPB150100	59 /8	1.50	39 3/8	1.00	15.9	7.2
SO-DPB150125	59 /8	1.50	49 1/4	1.25	17.0	7.7
SO-DPB150150	59 /8	1.50	59 /8	1.50	18.3	8.3

Atlanta: 770.577.4222
Houston: 713.678.8877

Los Angeles: 562.907.7837
New York: 718.456.3218

DIAGONAL PLAN BRACING

continued

STEPUP - OCTO®

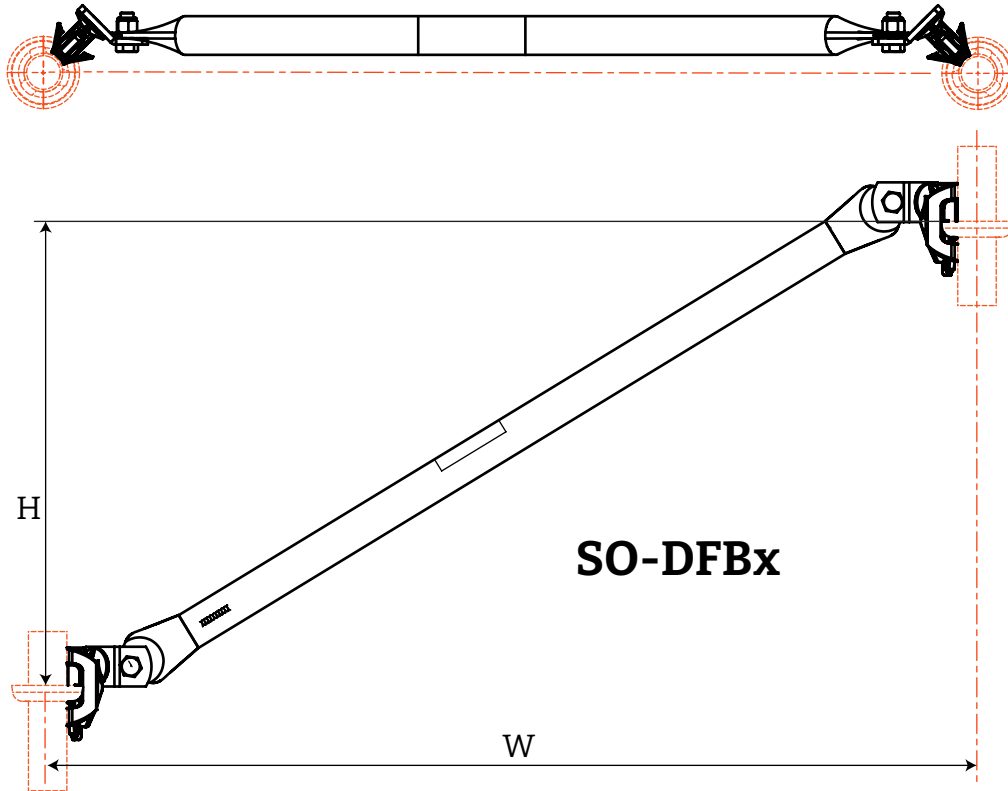
Item Number	W		H		Weight	
	In	M	In	M	Lbs	Kg
SO-DPB175070	68 7/8	1.75	27 1/2	0.70	16.5	7.5
SO-DPB175100	68 7/8	1.75	39 3/8	1.00	17.4	7.9
SO-DPB175125	68 7/8	1.75	49 1/4	1.25	18.4	8.4
SO-DPB175150	68 7/8	1.75	59 8	1.50	19.5	8.9
SO-DPB175175	68 7/8	1.75	68 7/8	1.75	21.6	9.8
SO-DPB200070	78 3/4	2.00	27 1/2	0.70	18.2	8.3
SO-DPB200100	78 3/4	2.00	39 3/8	1.00	19.0	8.6
SO-DPB200125	78 3/4	2.00	49 1/4	1.25	19.9	9.0
SO-DPB200150	78 3/4	2.00	59 8	1.50	20.9	9.5
SO-DPB200175	78 3/4	2.00	68 7/8	1.75	22.0	10.0
SO-DPB200200	78 3/4	2.00	78 3/4	2.00	24.5	11.1
SO-DPB250070	98 3/8	2.50	27 1/2	0.70	21.6	9.8
SO-DPB250100	98 3/8	2.50	39 3/8	1.00	22.3	10.1
SO-DPB250125	98 3/8	2.50	49 1/4	1.25	23.0	10.4
SO-DPB250150	98 3/8	2.50	59 8	1.50	23.9	10.8
SO-DPB250175	98 3/8	2.50	68 7/8	1.75	24.9	11.3
SO-DPB250200	98 3/8	2.50	78 3/4	2.00	25.9	11.8
SO-DPB250250	98 3/8	2.50	98 3/8	2.50	29.3	13.3
SO-DPB300070	118 1/8	3.00	27 1/2	0.70	25.1	11.4
SO-DPB300100	118 1/8	3.00	39 3/8	1.00	25.7	11.6
SO-DPB300125	118 1/8	3.00	49 1/4	1.25	26.3	11.9
SO-DPB300150	118 1/8	3.00	59 8	1.50	27.0	12.3
SO-DPB300175	118 1/8	3.00	68 7/8	1.75	27.9	12.7
SO-DPB300200	118 1/8	3.00	78 3/4	2.00	28.8	13.1
SO-DPB300250	118 1/8	3.00	98 3/8	2.50	31.0	14.1
SO-DPB300300	118 1/8	3.00	118 1/8	3.00	34.2	15.5
SO-DPB350070	137 3/4	3.50	27 1/2	0.70	28.6	13.0
SO-DPB350100	137 3/4	3.50	39 3/8	1.00	29.1	13.2
SO-DPB350125	137 3/4	3.50	49 1/4	1.25	29.6	13.4
SO-DPB350150	137 3/4	3.50	59 8	1.50	30.3	13.7
SO-DPB350175	137 3/4	3.50	68 7/8	1.75	31.0	14.1
SO-DPB350200	137 3/4	3.50	78 3/4	2.00	31.9	14.5
SO-DPB350250	137 3/4	3.50	98 3/8	2.50	33.8	15.3
SO-DPB350300	137 3/4	3.50	118 1/8	3.00	36.0	16.3
SO-DPB350350	137 3/4	3.50	137 3/4	3.50	38.4	17.4

Atlanta: 770.577.4222
Houston: 713.678.8877

Los Angeles: 562.907.7837
New York: 718.456.3218



DIAGONAL FACE BRACING



Item Number	W		H		Weight	
	In	M	In	M	Lbs	Kg
SO-DFB100100	39 3/8	1.00	39 3/8	1.00	14.7	6.7
SO-DFB125100	49 1/4	1.25	39 3/8	1.00	15.9	7.2
SO-DFB175100	68 7/8	1.75	39 3/8	1.00	18.7	8.5
SO-DFB100150	39 1/4	1.00	59 8	1.50	17.7	8.0
SO-DFB125150	49 1/4	1.25	59 8	1.50	18.6	8.5
SO-DFB150150	59 8	1.50	59 8	1.50	19.7	9.0
SO-DFB175150	68 7/8	1.75	59 8	1.50	20.9	9.5
SO-DFB200150	78 6/8	2.00	59 8	1.50	22.3	10.1
SO-DFB250150	98 3/8	2.50	59 8	1.50	25.2	11.4
SO-DFB300150	118 1/8	3.00	59 8	1.50	28.2	12.8
SO-DFB350150	137 3/4	3.50	59 8	1.50	31.4	14.3
SO-DFB100200	39 1/4	1.00	78 3/4	2.00	21.0	9.5
SO-DFB125200	49 1/4	1.25	78 3/4	2.00	21.7	9.9
SO-DFB150200	59 8	1.50	78 3/4	2.00	22.6	10.3
SO-DFB175200	68 7/8	1.75	78 3/4	2.00	23.6	10.7
SO-DFB200200	78 6/8	2.00	78 3/4	2.00	24.8	11.2
SO-DFB250200	98 3/8	2.50	78 3/4	2.00	27.3	12.4
SO-DFB300200	118 1/8	3.00	78 3/4	2.00	30.1	13.7
SO-DFB350200	137 3/4	3.50	78 3/4	2.00	33.1	15.0

Atlanta: 770.577.4222
Houston: 713.678.8877

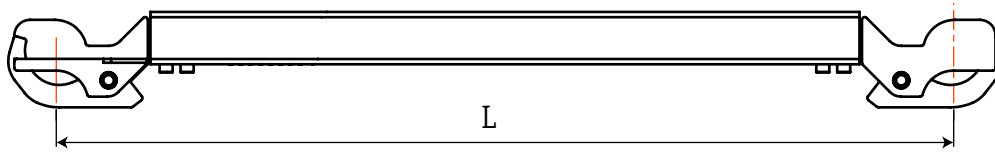
Los Angeles: 562.907.7837
New York: 718.456.3218



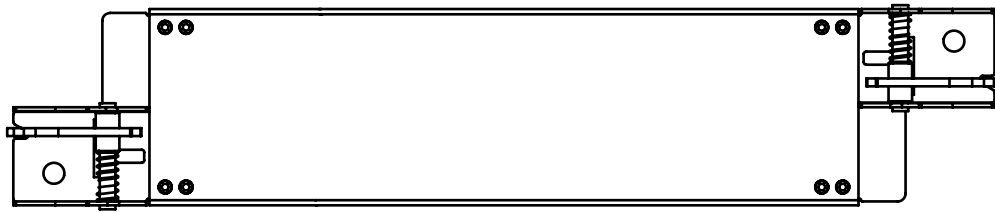
STEPUP

TOEBOARDS

STEPUP - OCTO®



SO-TBx

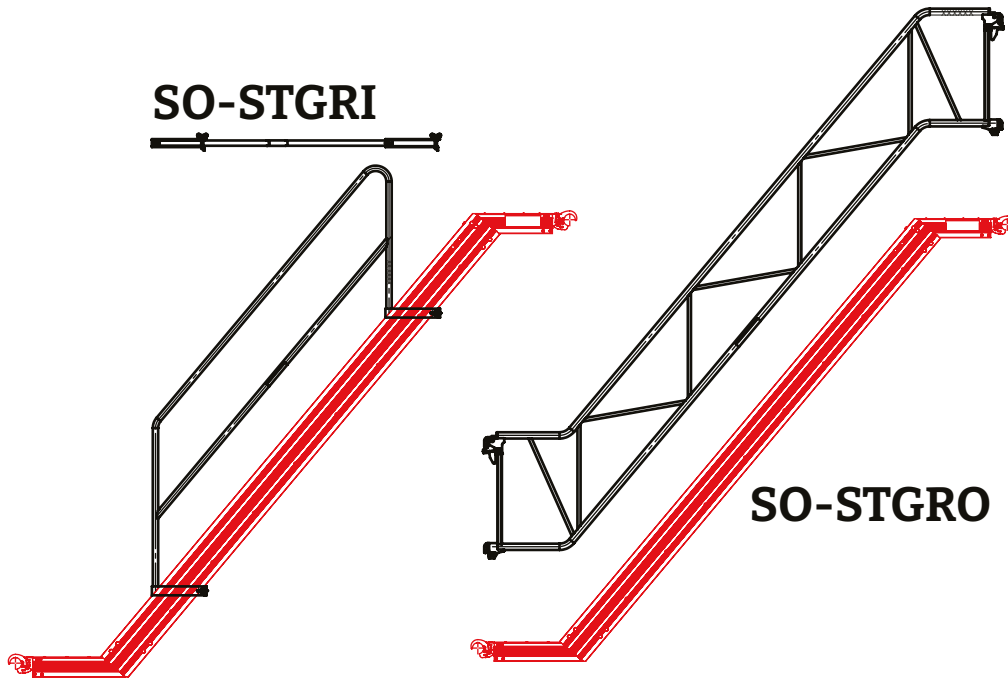
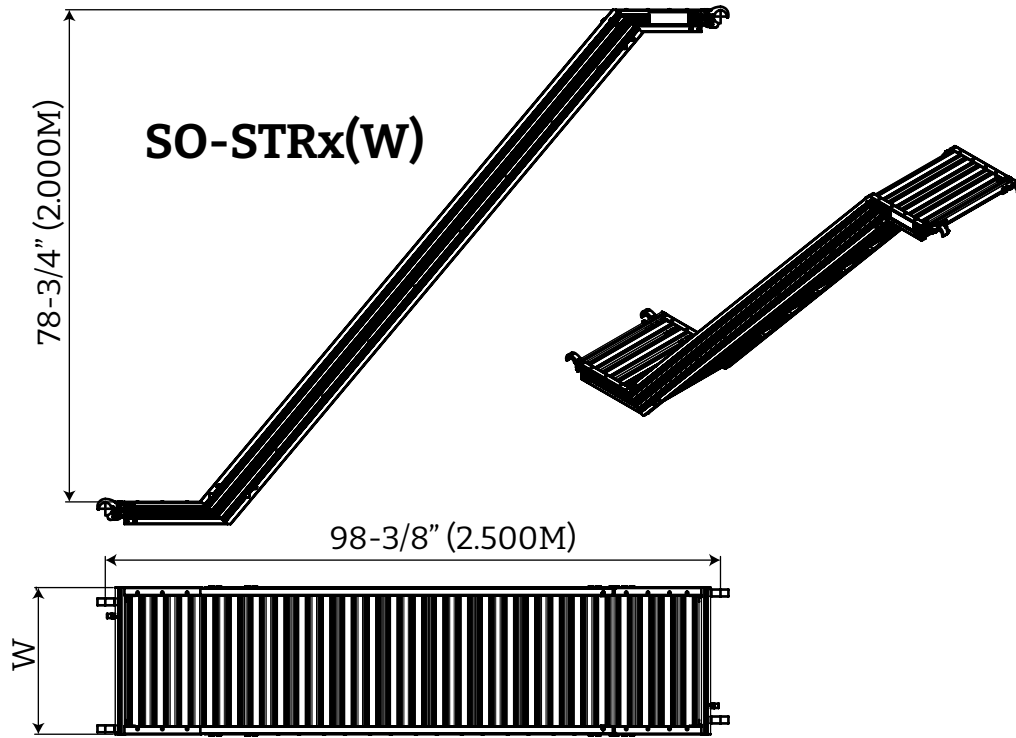


Item Number	L- Bay Width		Height		Weight	
	In	mm	In	M	Lbs	Kg
SO-TB070	27 4/8	700	5 7/8	0.15	7.5	3.4
SO-TB100	39 3/8	1000	5 7/8	0.15	9.0	4.1
SO-TB125	49 2/8	1250	5 7/8	0.15	10.2	4.6
SO-TB150	59 8/8	1500	5 7/8	0.15	11.4	5.2
SO-TB175	68 7/8	1750	5 7/8	0.15	12.6	5.7
SO-TB200	78 6/8	2000	5 7/8	0.15	13.8	6.3
SO-TB250	98 3/8	2500	5 7/8	0.15	16.3	7.4
SO-TB300	118 1/8	3000	5 7/8	0.15	18.7	8.5
SO-TB350	137 6/8	3500	5 7/8	0.15	19.6	8.9

Atlanta: 770.577.4222
Houston: 713.678.8877

Los Angeles: 562.907.7837
New York: 718.456.3218

ALUMINUM STAIR WITH HANDRAILS



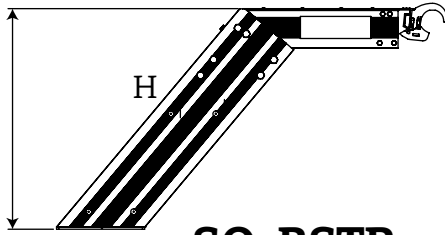
Item Number	Description	W- Width		Weight	
		In	mm	Lbs	Kg
SO-STR250	Aluminum Stairs	23 1/2	596	62.4	28.3
SO-STR250W	Wide Aluminum Stairs	35 1/4	896	83.8	38.0
SO-STGRI	Stair Inner Guardrail	-	-	9.4	20.7
SO-STGRO	Stair Outer Guardrail	-	-	13.2	29.1

Atlanta: 770.577.4222
Houston: 713.678.8877

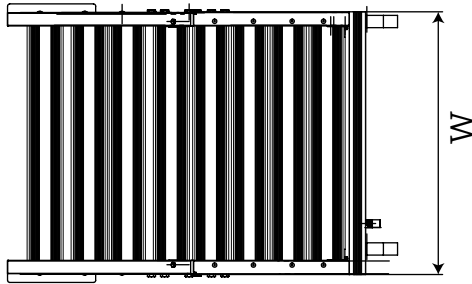
Los Angeles: 562.907.7837
New York: 718.456.3218

ALUMINUM BASE STAIRS

STEPUP - OCTO®



SO-BSTRx
SO-BSTRxW



Item Number	H		W		Weight	
	In	M	In	M	Lbs	Kg
SO-BSTR50	19 5/8	0.50	23 1/2	0.60	22.7	10.3
SO-BSTR60	23 5/8	0.60	23 1/2	0.60	23.1	10.5
SO-BSTR100	39 3/8	1.00	23 1/2	0.60	25.1	11.4
SO-BSTR150	59 /8	1.50	23 1/2	0.60	40.1	18.2
SO-BSTR50W	19 5/8	0.50	35 1/4	0.90	70.6	32.0
SO-BSTR60W	23 5/8	0.60	35 1/4	0.90	23.1	10.5

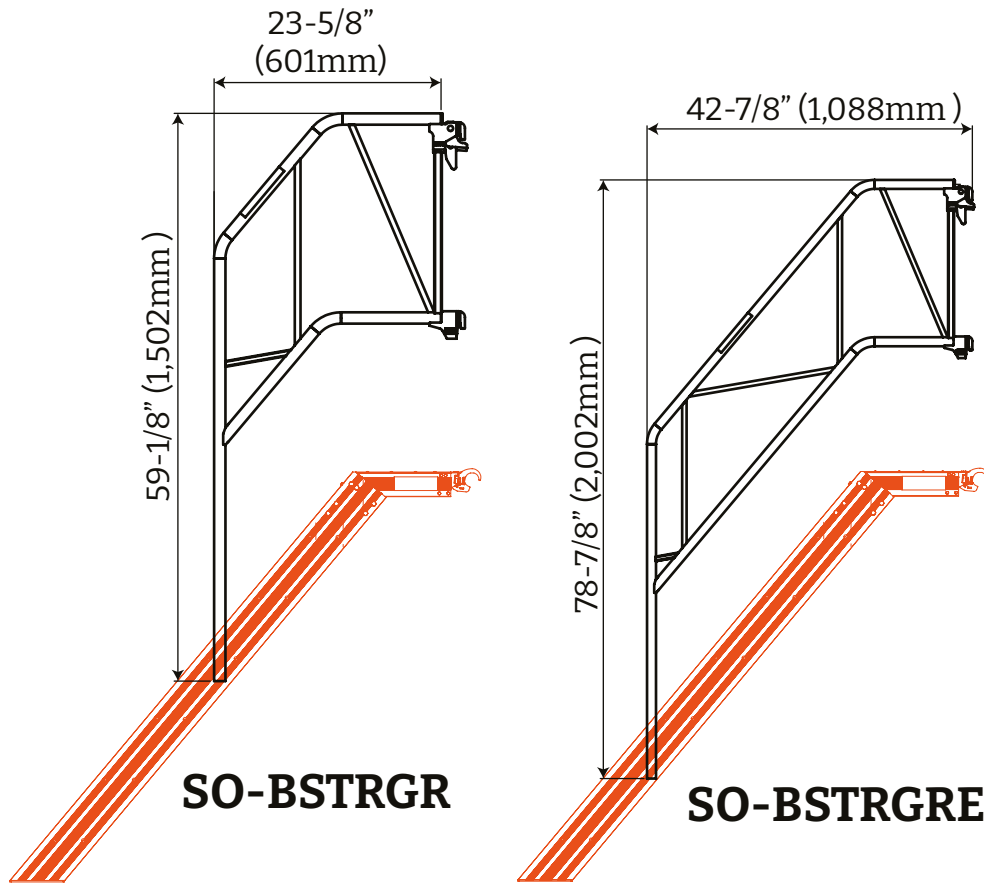
Atlanta: 770.577.4222
Houston: 713.678.8877

Los Angeles: 562.907.7837
New York: 718.456.3218



STEPUP

ALUMINUM BASE STAIR HANDRAILS



Item Number	Description	Weight	
		Lbs	Kg
SO-BSTRGR	Base Stair Guardrail	11.0	5
SO-BSTRGRE	Base Stair Guardrail Extended	15.2	6.9

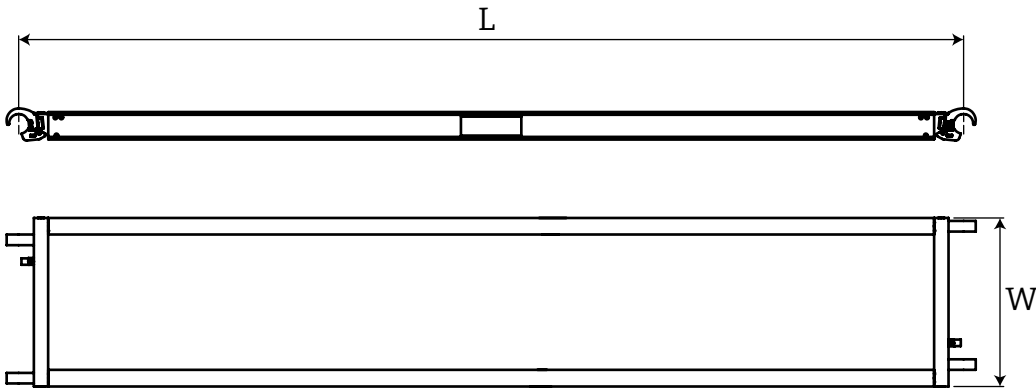
Atlanta: 770.577.4222
Houston: 713.678.8877

Los Angeles: 562.907.7837
New York: 718.456.3218



STEPUP

DECKS · ALUMINUM/PLYWOOD



SO-DxN
SO-DxM
SO-DxW

STEPUP - OCTO®

Medium Width						
Item Number	L		W		Weight	
	In	M	In	M	Kg	Lbs
SO-D050M	19 5/8	0.50	17 1/2	0.45	9.5	4.3
SO-D070M	27 1/2	0.70	17 1/2	0.45	11.9	5.4
SO-D100M	39 3/8	1.00	17 1/2	0.45	16.3	7.4
SO-D125M	49 1/4	1.25	17 1/2	0.45	19.0	8.6
SO-D150M	59 8	1.50	17 1/2	0.45	21.2	9.6
SO-D175M	68 7/8	1.75	17 1/2	0.45	24.3	11.0
SO-D200M	78 3/4	2.00	17 1/2	0.45	28.0	12.7
SO-D250M	98 3/8	2.50	17 1/2	0.45	34.0	15.4
SO-D300M	118 1/8	3.00	17 1/2	0.45	40.1	18.2
SO-D350M	137 3/4	3.50	17 1/2	0.45	52.2	23.7

Wide						
Item Number	L		W		Weight	
	In	M	In	M	Lbs	Kg
SO-D050W	19 5/8	0.50	23 1/2	0.60	11.5	5.2
SO-D070W	27 1/2	0.70	23 1/2	0.60	14.6	6.6
SO-D100W	39 3/8	1.00	23 1/2	0.60	19.4	8.8
SO-D125W	49 1/4	1.25	23 1/2	0.60	21.8	9.9
SO-D150W	59 8	1.50	23 1/2	0.60	24.7	11.2
SO-D175W	68 7/8	1.75	23 1/2	0.60	29.8	13.5
SO-D200W	78 3/4	2.00	23 1/2	0.60	32.2	14.6
SO-D250W	98 3/8	2.50	23 1/2	0.60	39.0	17.7
SO-D300W	118 1/8	3.00	23 1/2	0.60	47.6	21.6
SO-D350W	137 3/4	3.50	23 1/2	0.60	58.9	26.7

Narrow						
Item Number	L		W		Weight	
	In	M	In	M	Lbs	Kg
SO-D050N	19 5/8	0.50	11 5/8	0.30	9.3	4.2
SO-D070N	27 1/2	0.70	11 5/8	0.30	10.6	4.8
SO-D100N	39 3/8	1.00	11 5/8	0.30	13.2	6.0
SO-D125N	49 1/4	1.25	11 5/8	0.30	15.7	7.1
SO-D150N	59 8	1.50	11 5/8	0.30	18.5	8.4
SO-D175N	68 7/8	1.75	11 5/8	0.30	20.9	9.5
SO-D200N	78 3/4	2.00	11 5/8	0.30	23.4	10.6
SO-D250N	98 3/8	2.50	11 5/8	0.30	28.0	12.7
SO-D300N	118 1/8	3.00	11 5/8	0.30	35.1	15.9
SO-D350N	137 3/4	3.50	11 5/8	0.30	42.5	19.3

Atlanta: 770.577.4222
 Houston: 713.678.8877

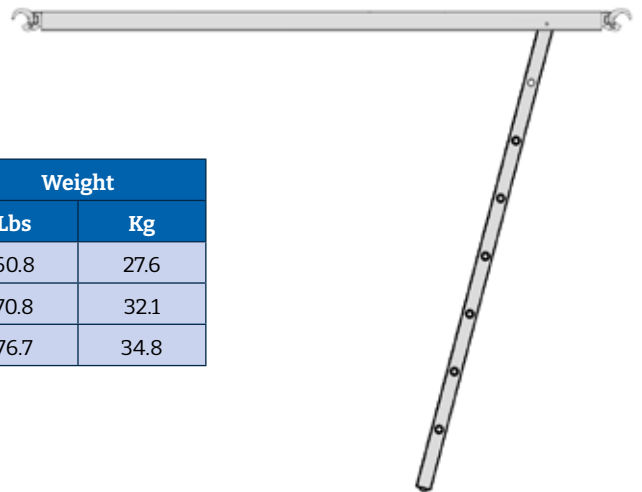
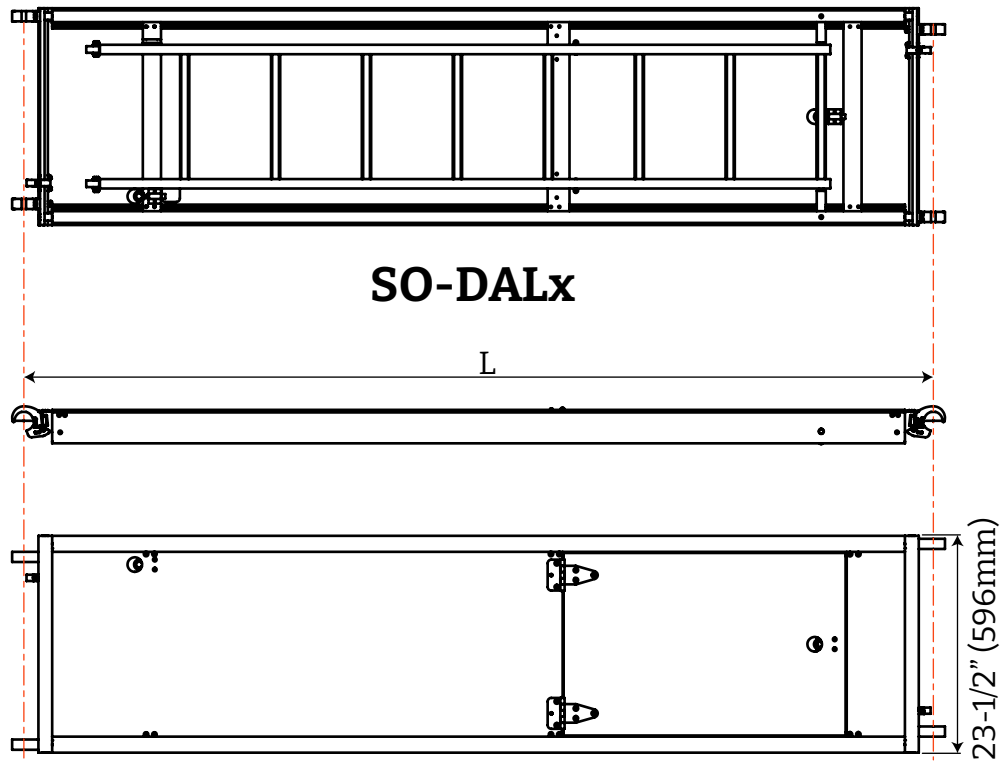
Los Angeles: 562.907.7837
 New York: 718.456.3218



STEPUP

DECK WITH HATCH & LADDER

Aluminum/Plywood



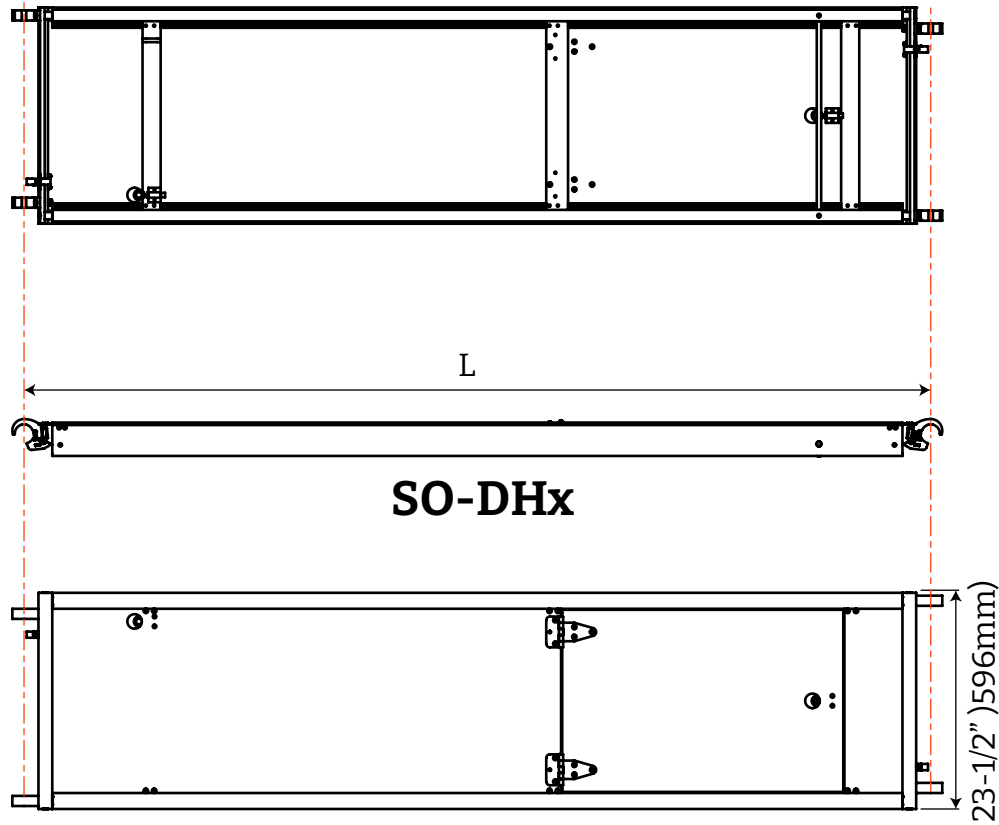
Item Number	L		Weight	
	In	M	Lbs	Kg
SO-DAL250	98 3/8	2.50	60.8	27.6
SO-DAL300	118 1/8	3.00	70.8	32.1
SO-DAL350	137 3/4	3.50	76.7	34.8

Atlanta: 770.577.4222
Houston: 713.678.8877

Los Angeles: 562.907.7837
New York: 718.456.3218

DECK WITH HATCH - ALUMINUM/PLYWOOD

Designed to be used with the Loose Ladder, Item SO-DHLL. See next page



STEPUP - OCTO®

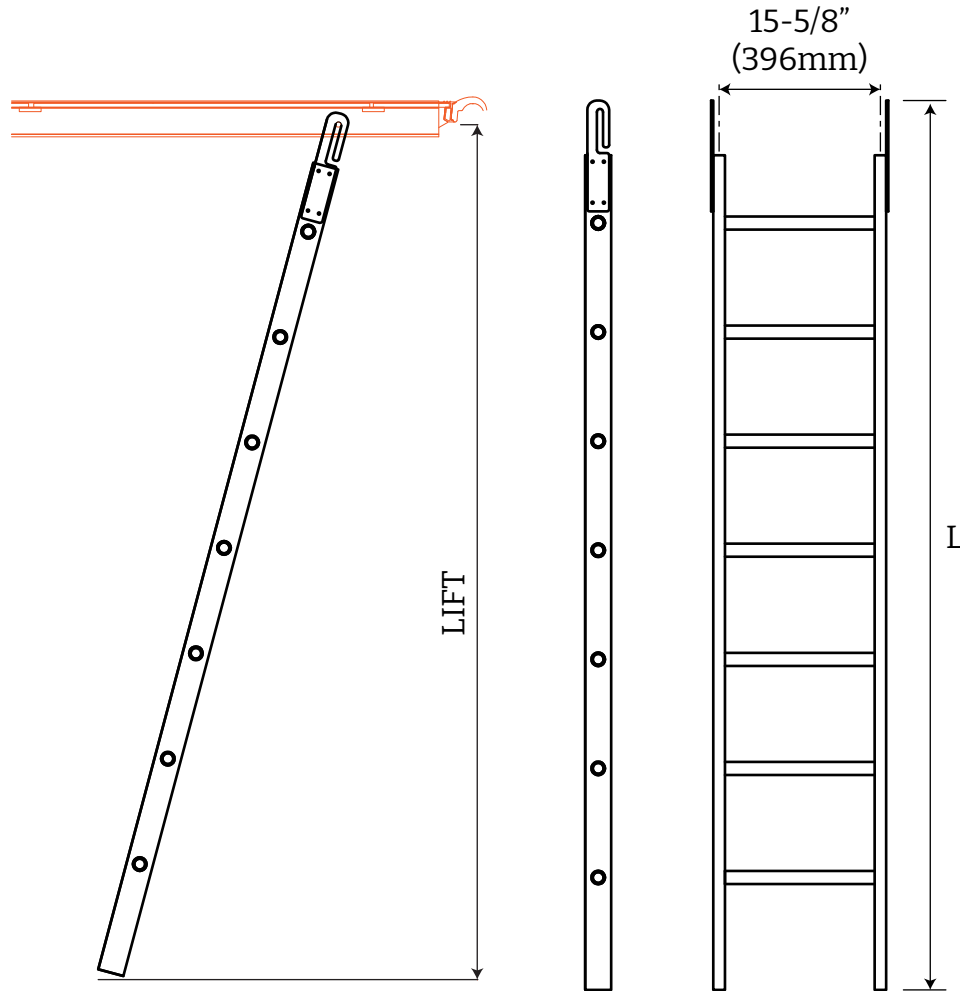
Item Number	L		Weight	
	In	M	Lbs	Kg
SO-DH125	49 1/4	1.25	18.5	8.4
SO-DH150	59 7/8	1.50	21.8	9.9
SO-DH175	68 7/8	1.75	25.4	11.5
SO-DH200	78 3/4	2.00	41.9	19.0
SO-DH250	98 3/8	2.50	35.5	16.1
SO-DH300	118 1/8	3.00	59.3	26.9
SO-DH350	137 3/4	3.50	67.9	30.8

Atlanta: 770.577.4222
Houston: 713.678.8877

Los Angeles: 562.907.7837
New York: 718.456.3218

LOOSE LADDER FOR DECKS WITH HATCH

Designed to be used with the Deck with Hatch, Item SO-DHx. See previous page



Item Number	L-Length		Lift		Number of Rungs	Weight	
	In	M	In	M		Lbs	Kg
SO-DHLL150	59 7/8	1.52	59 7/8	1.50	5	7.7	3.5
SO-DHLL200	80 1/4	2.04	78 3/4	2.00	7	10.1	4.6
SO-DHLL210	89 1/2	2.27	82 5/8	2.10	8	10.8	4.9
SO-DHLL250	100 5/8	2.56	98 3/8	2.50	9	12.1	5.5
SO-DHLL300	120 8/8	3.07	118 1/8	3.00	11	13.9	6.3

Atlanta: 770.577.4222
Houston: 713.678.8877

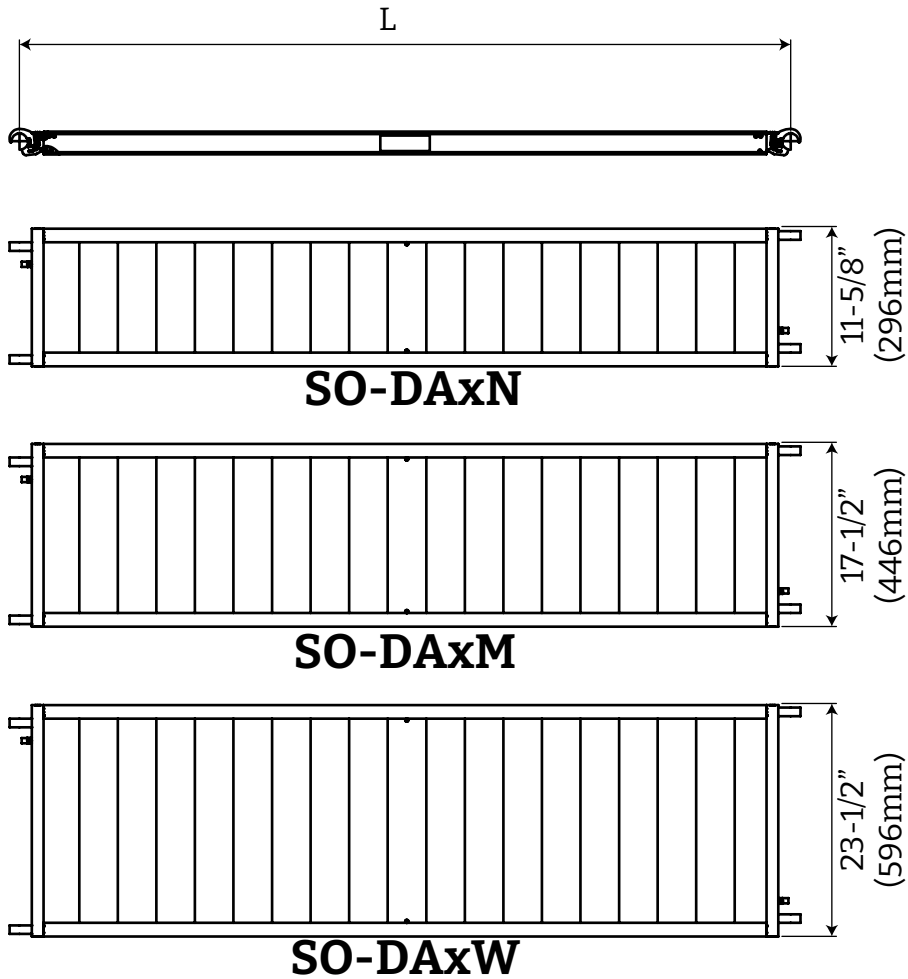
Los Angeles: 562.907.7837
New York: 718.456.3218



STEPUP

DECK · ALUMINUM

STEPUP - OCTO®



See dimensions on next page.

Atlanta: 770.577.4222
Houston: 713.678.8877

Los Angeles: 562.907.7837
New York: 718.456.3218

DECK · ALUMINUM

continued

Standard Width Decks				
Item Number	L		Weight	
	In	M	Lbs	Kg
SO-DA050M	19 5/8	0.50	13.4	6.1
SO-DA070M	27 1/2	0.70	14.8	6.7
SO-DA100M	39 3/8	1.00	17.0	7.7
SO-DA125M	49 1/4	1.25	20.5	9.3
SO-DA150M	59 8	1.50	24.0	10.9
SO-DA175M	68 7/8	1.75	27.6	12.5
SO-DA200M	78 3/4	2.00	30.9	14.0
SO-DA250M	98 3/8	2.50	37.3	16.9
SO-DA300M	118 1/8	3.00	46.5	21.1
SO-DA350M	137 3/4	3.50	56.2	25.5

Narrow Decks				
Item Number	L		Weight	
	In	M	Lbs	Kg
SO-DA050N	19 5/8	0.50	10.6	4.8
SO-DA070N	27 1/2	0.70	11.7	5.3
SO-DA100N	39 3/8	1.00	15.9	7.2
SO-DA125N	49 1/4	1.25	16.8	7.6
SO-DA150N	59 8	1.50	19.0	8.6
SO-DA175N	68 7/8	1.75	22.3	10.1
SO-DA200N	78 3/4	2.00	24.5	11.1
SO-DA250N	98 3/8	2.50	30.2	13.7
SO-DA300N	118 1/8	3.00	37.3	16.9
SO-DA350N	137 3/4	3.50	43.2	19.6

Wide Decks				
Item Number	L		Weight	
	In	M	Lbs	Kg
SO-DA050W	19 5/8	0.50	16.3	7.4
SO-DA070W	27 1/2	0.70	17.9	8.1
SO-DA100W	39 3/8	1.00	18.1	8.2
SO-DA125W	49 1/4	1.25	24.9	11.3
SO-DA150W	59 8	1.50	28.9	13.1
SO-DA175W	68 7/8	1.75	33.1	15.0
SO-DA200W	78 3/4	2.00	37.3	16.9
SO-DA250W	98 3/8	2.50	45.4	20.6
SO-DA300W	118 1/8	3.00	56.7	25.7
SO-DA350W	137 3/4	3.50	66.1	30.0

Atlanta: 770.577.4222
Houston: 713.678.8877

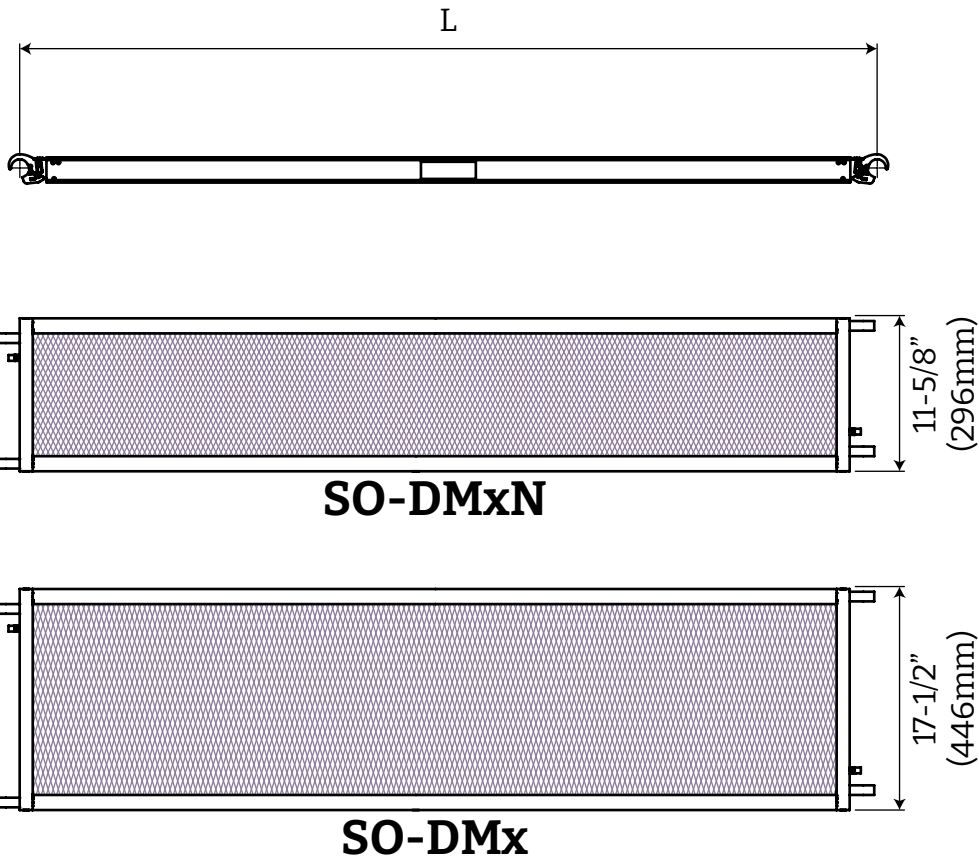
Los Angeles: 562.907.7837
New York: 718.456.3218



STEPUP

DECK · ALUMINUM/STEEL MESH

STEPUP - OCTO[®]



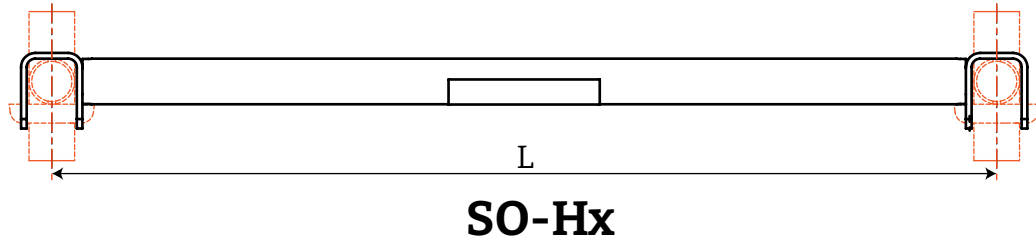
Aluminum Deck with Steel Mesh				
Item Number	L		Weight	
	In	M	Lbs	Kg
SO-DM050	19 5/8	0.50	15.4	7.0
SO-DM070	27 1/2	0.70	15.7	7.1
SO-DM100	39 3/8	1.00	20.7	9.4
SO-DM125	49 1/4	1.25	25.1	11.4
SO-DM150	59 7/8	1.50	31.5	14.3
SO-DM175	68 7/8	1.75	35.9	16.3
SO-DM200	78 3/4	2.00	40.3	18.3
SO-DM250	98 3/8	2.50	48.9	22.2
SO-DM300	118 1/8	3.00	57.3	26.0
SO-DM350	137 3/4	3.50	71.7	32.5

Narrow Aluminum Deck with Steel Mesh				
Item Number	L		Weight	
	In	M	Lbs	Kg
SO-DM050N	19 5/8	0.50	11.9	5.4
SO-DM070N	27 1/2	0.70	12.6	5.7
SO-DM100N	39 3/8	1.00	15.9	7.2
SO-DM125N	49 1/4	1.25	19.8	9.0
SO-DM150N	59 7/8	1.50	24.3	11.0
SO-DM175N	68 7/8	1.75	27.6	12.5
SO-DM200N	78 3/4	2.00	30.9	14.0
SO-DM250N	98 3/8	2.50	36.4	16.5
SO-DM300N	118 1/8	3.00	46.3	21.0
SO-DM350N	137 3/4	3.50	54.9	24.9

Atlanta: 770.577.4222
Houston: 713.678.8877

Los Angeles: 562.907.7837
New York: 718.456.3218

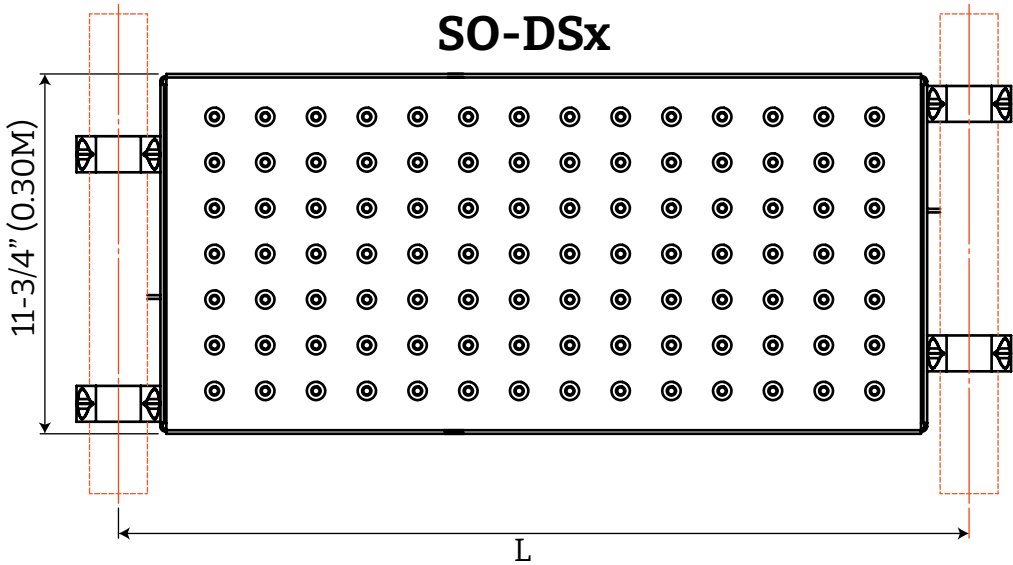
INTERMEDIATE HORIZONTAL



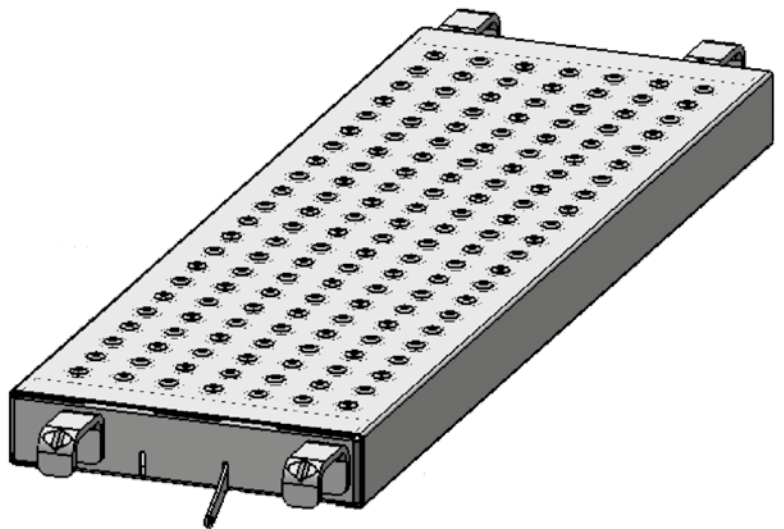
Item Number	L		Weight	
	In	mm	Lbs	Kg
SO-IH050	19 5/8	500	4.7	2.1
SO-IH070	27 4/8	700	6.1	2.8
SO-IH100	39 3/8	1,000	8.2	3.7
SO-IH125	49 2/8	1,250	10.0	4.6
SO-IH150	59 /8	1,500	11.8	5.4
SO-IH175	68 7/8	1,750	13.6	6.2
SO-IH200	78 6/8	2,000	15.4	7.0
SO-IH250	98 3/8	2,500	19.0	8.6
SO-IH300	118 1/8	3,000	22.6	10.2
SO-IH350	137 6/8	3,500	26.1	11.9

DECK · STEEL

STEPUP - OCTO®



Item Number	L		Weight	
	In	M	Lbs	Kg
SO-DS050	19 5/8	0.50	9.9	4.5
SO-DS070	27 1/2	0.70	10.6	4.8
SO-DS100	39 3/8	1.00	15.2	6.9
SO-DS125	49 1/4	1.25	19.6	8.9
SO-DS150	59 7/8	1.50	20.9	9.5
SO-DS175	68 7/8	1.75	25.1	11.4
SO-DS200	78 3/4	2.00	28.0	12.7
SO-DS250	98 3/8	2.50	31.7	14.4
SO-DS300	118 1/8	3.00	38.4	17.4
SO-DS350	137 3/4	3.50	46.7	21.2

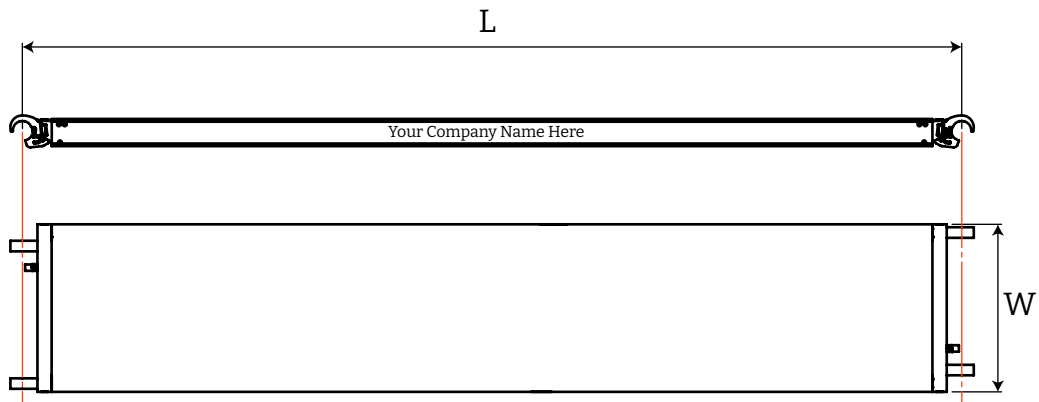


Atlanta: 770.577.4222
Houston: 713.678.8877

Los Angeles: 562.907.7837
New York: 718.456.3218



DECK · COMPOSITE



SO-CDx

COMPOSITE DECK							
Item Number	W		L		Weight Class	Weight	
	In	M	In	M		Lbs	Kg
SO-CD300050	11 3/4	0.30	19 5/8	0.50	Heavy	0.0	0.0
SO-CD300070	11 3/4	0.30	27 1/2	0.70	Heavy	13.2	6.0
SO-CD300100	11 3/4	0.30	39 3/8	1.00	Heavy	14.1	6.4
SO-CD300125	11 3/4	0.30	49 1/4	1.25	Heavy	15.9	7.2
SO-CD300150	11 3/4	0.30	59 7/8	1.50	Heavy	19.0	8.6
SO-CD300175	11 3/4	0.30	68 7/8	1.75	Heavy	20.7	9.4
SO-CD300200	11 3/4	0.30	78 3/4	2.00	Heavy	23.1	10.5
SO-CD300225	11 3/4	0.30	88 5/8	2.25	Heavy	25.1	11.4
SO-CD300250	11 3/4	0.30	98 3/8	2.50	Heavy	26.9	12.2
SO-CD300300	11 3/4	0.30	118 1/8	3.00	Heavy	32.2	14.6

NARROW COMPOSITE DECK							
SO-CD225050	8 7/8	0.225	19 5/8	0.50	Heavy	7.540	3.42
SO-CD225070N	8 7/8	0.225	27 1/2	0.70	Heavy	8.752	3.97
SO-CD225100N	8 7/8	0.225	39 3/8	1.00	Heavy	10.604	4.81
SO-CD225125N	8 7/8	0.225	49 1/4	1.25	Heavy	12.147	5.51
SO-CD225150N	8 7/8	0.225	59 7/8	1.50	Heavy	13.691	6.21
SO-CD225175N	8 7/8	0.225	68 7/8	1.75	Heavy	15.212	6.9
SO-CD225200N	8 7/8	0.225	78 3/4	2.00	Heavy	16.755	7.6
SO-CD225225N	8 7/8	0.225	88 5/8	2.25	Heavy	24.295	11.02
SO-CD225250N	8 7/8	0.225	98 3/8	2.50	Heavy	62.060	28.15
SO-CD225225N	8 7/8	0.225	118 1/8	3.00	Medium	70.658	32.05

Atlanta: 770.577.4222
Houston: 713.678.8877

Los Angeles: 562.907.7837
New York: 718.456.3218

LOAD SHARING DEVICES

For Aluminum Decks

STEPUP - OCTO[®]

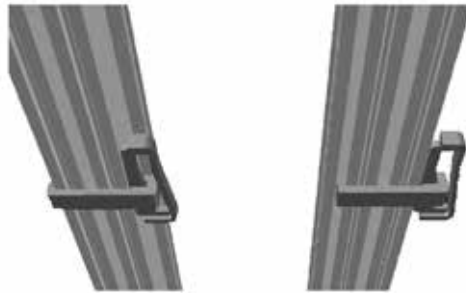
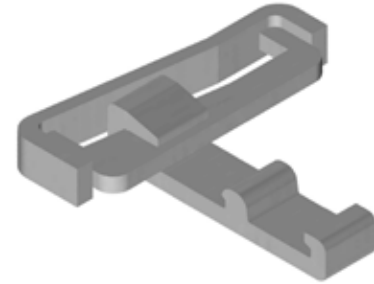
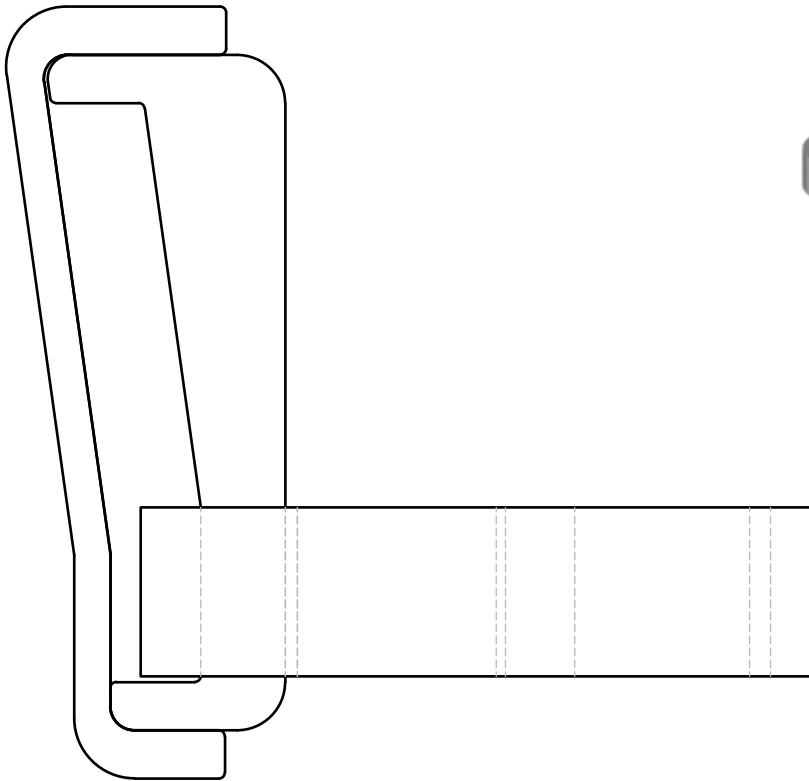


Image shows TOIDS fitted to underside of SO-D250N

Note:

The OCTO Intermediate Deck Support can only be fixed to the underside of the aluminum platforms that use Stile types 'A', 'B' & 'C'

Item Number	Description	Weight	
		Lb.	Kg
SO-IDS	Load Sharing Device for Aluminum Decks	0.4	0.2

Atlanta: 770.577.4222
Houston: 713.678.8877

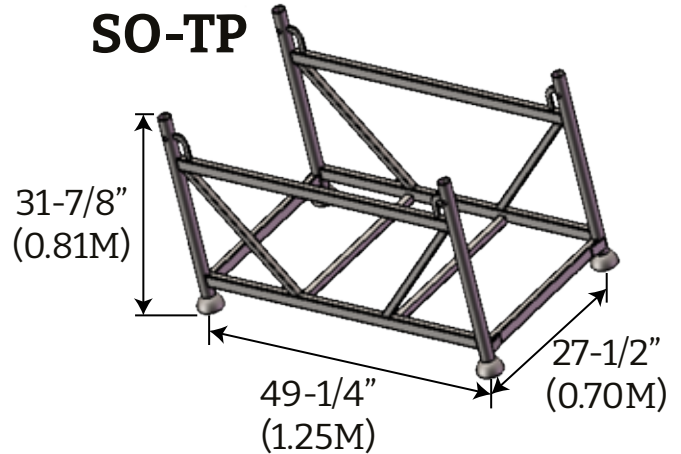
Los Angeles: 562.907.7837
New York: 718.456.3218



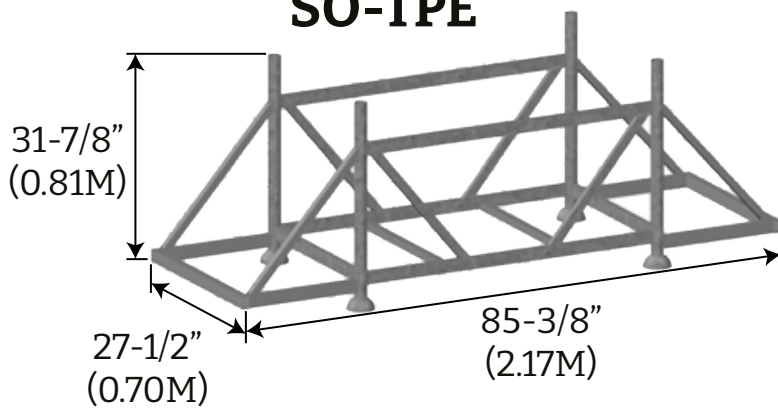
STEPUP

TRANSPORT PALLET

SO-TP



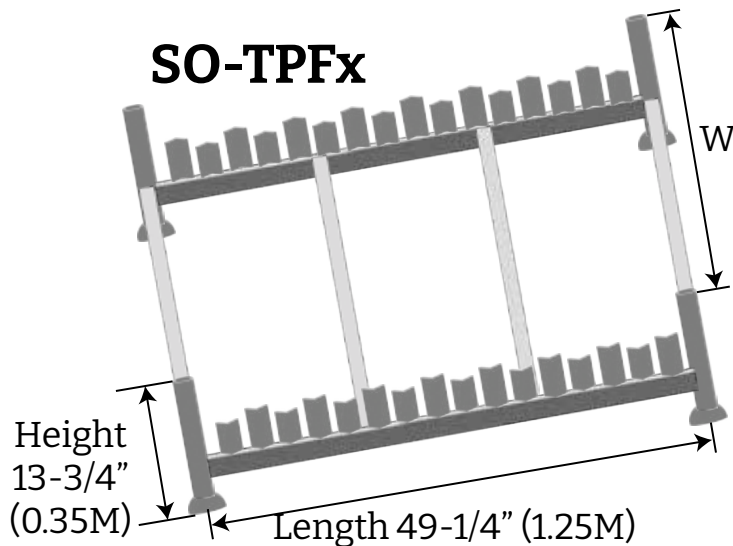
SO-TPE



Item Number	Description	W		Weight	
		In	M	Lbs	Kg
SO-TP	Transport Pallet	27 1/2	0.70	87.1	39.5
SO-TPE	Extended Transport Pallet	27 1/2	0.70	99.2	45.0
SO-TPF070	Transport Pallet Frame	27 1/2	0.70	63.9	29.0
SO-TPF100	Wide Transporter Pallet Frame	39 3/8	1.00	55.1	25.0

TP	
Component	Qty
SO-S050	225
SO-S100 and SO-S100FT	150
SO-S125 to SO-S400	75
SO-BG050	75
SO-BG070 to SOBG100	50
SO-BG125 to SO-BG350	25
SO-H070 to SO-H100	200
SO-H125 to SO-H350	100
SO-HB100 to SO-HB125	90
SO-HB150 to SO-HB350	64

SO-TPFx



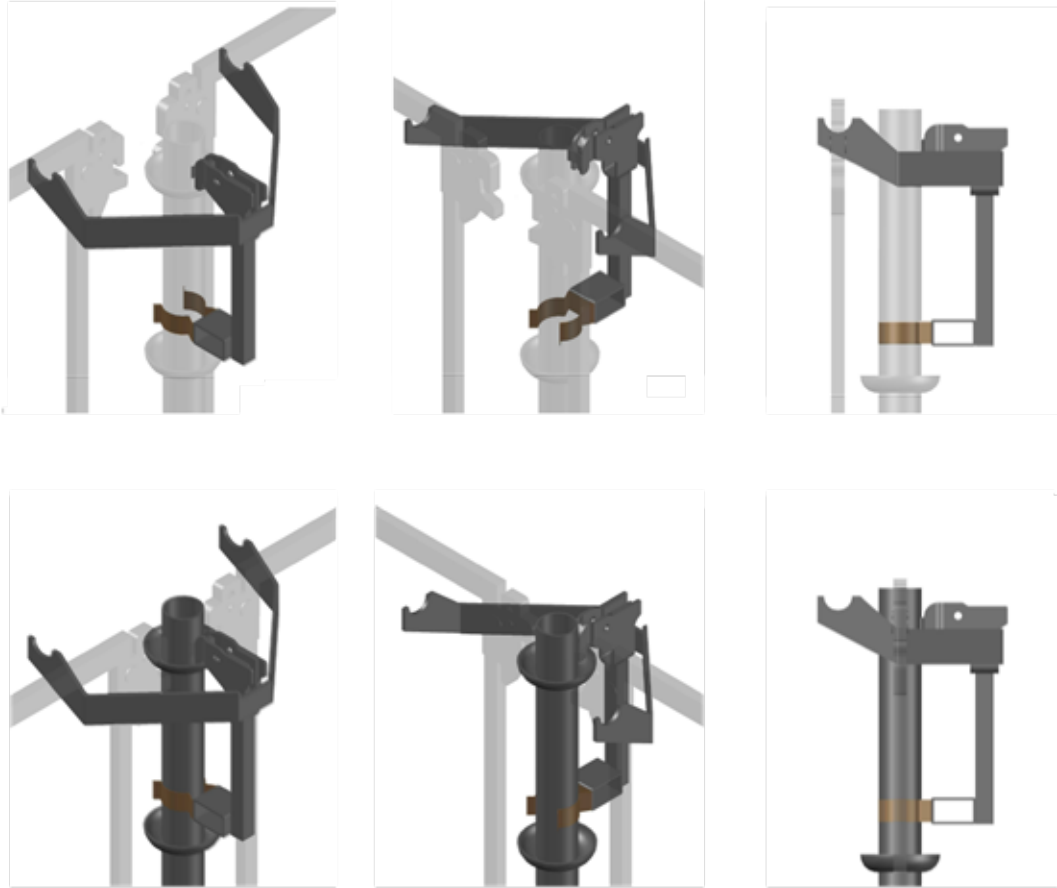
TPF	
Component	Qty
SO-F100050	72
SO-F100100	36
SO-F100200	18
SO-F070050	72
SO-F070100	36
SO-F070200	18

Atlanta: 770.577.4222
Houston: 713.678.8877

Los Angeles: 562.907.7837
New York: 718.456.3218

GUARDAID® ASSEMBLY TOOL

STEPUP - OCTO®



GuardAid®, a scaffold positional tool, enables scaffold configurations to be erected without the risk of fall from height.

The erection process ensures that the permanent guardrail is fitted before the platform is installed, and before the scaffolder ascends to the next working lift.

The use of GuardAid also ensures the scaffold structure is automatically braced.

Atlanta: 770.577.4222
Houston: 713.678.8877

Los Angeles: 562.907.7837
New York: 718.456.3218



**Glasgow, Scotland
Copenhagen, Denmark**

**Atlanta, Houston,
Los Angeles, New York,
and Memphis, USA**

**Barranquilla,
Colombia**

LET STEPUP HELP YOU GROW YOUR BUSINESS

STEPUP Scaffold, a division of Sunshine Enterprises, started in 1998 and quickly became one of the largest importers, and manufacturers of scaffolding and access equipment in the North American market. Throughout the years, STEPUP Scaffold has contin-

ued to diversify our product lines and capabilities to meet the needs of our customers and the industries we serve. We have focused our business structure to best serve scaffolding companies and contractors, helping them to grow their businesses.



STEPUP